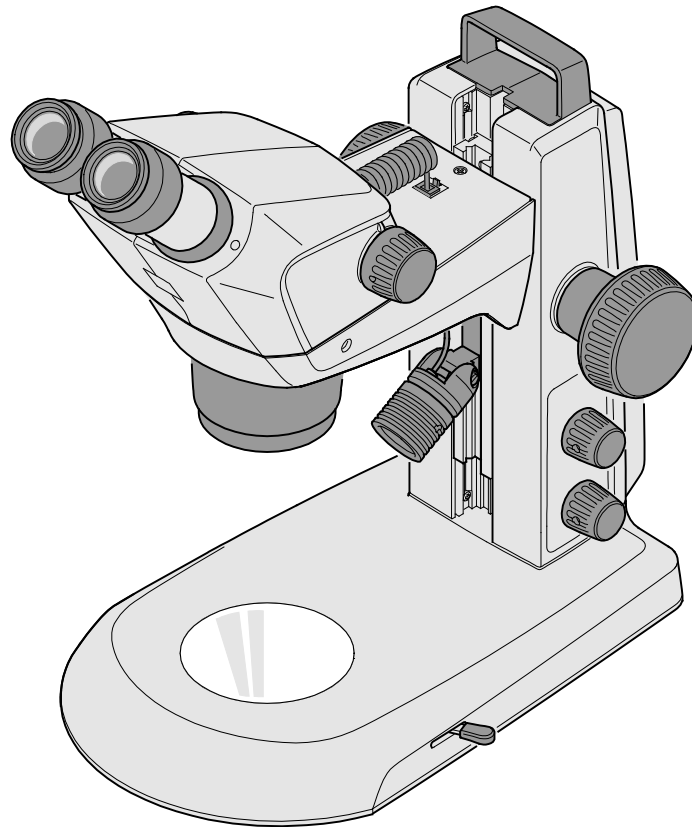


Stereo microscope Stemi 305



Operating manual
Gebrauchsanweisung



Knowledge of this manual is required for the operation of the instrument. Would you therefore please make yourself familiar with the contents of this manual and pay special attention to hints concerning safe operation of the instrument. The specifications are subject to change; the manual is not covered by an update service. Unless expressly authorized, forwarding and duplication of this document, as well as utilization and communication of its contents are not permitted. Violations will entail an obligation to pay compensation. All rights reserved in the event of granting of patents or registration of a utility model.

Die Kenntnis dieser Anleitung ist für die Bedienung des Gerätes erforderlich. Bitte machen Sie sich deshalb mit dem Inhalt vertraut und befolgen Sie besonders Hinweise, die den sicheren Umgang mit dem Gerät betreffen. Änderungen im Interesse der technischen Weiterentwicklung bleiben vorbehalten; das Handbuch unterliegt nicht dem Änderungsdienst. Weitergabe sowie Vervielfältigung dieser Unterlage, Verwertung und Mitteilung ihres Inhalts sind nicht gestattet, soweit nicht ausdrücklich zugestanden. Zuwiderhandlungen verpflichten zu Schadenersatz. Alle Rechte für den Fall der Patenterteilung oder Gebrauchsmuster-Eintragung vorbehalten.

Issued by:

Carl Zeiss Microscopy GmbH
Carl-Zeiss-Promenade 10
07745 Jena, Germany
microscopy@zeiss.com
www.zeiss.com/microscopy



Carl Zeiss Suzhou Co., Ltd.
Modern Industrial Square 3-B, No. 333
XingPu Road SIP 215126 Suzhou, China

Distribuido no Brasil por:

Carl Zeiss do Brasil Ltda.
Av. Das Nações Unidas, 21711, Jurubatuba,
04795-100, São Paulo, Brasil
Registro ANVISA: 10332030099
Responsável Técnico: Eduardo Ricardo Rodrigues
CREA/SP: 5062083030

Number of this manual: 435063-7144-010

Date of issue: Version 2, 09/0/2017

CONTENTS

	Page
1	INTRODUCTION 3
1.1	General information 3
1.2	Notes on instrument safety 4
1.3	Warranty notes 8
2	DESCRIPTION 9
2.1	Indication for use 9
2.2	Microscope system 9
2.3	Microscope sets and fields of application 10
2.4	Interfaces on the microscope body Stemi 305 11
2.5	System overview 12
2.6	Technical data 18
3	INSTALLATION 21
3.1	General information 21
3.2	Installing the stereo microscope 21
3.3	Mounting optional components 23
3.3.1	Mounting additional reflected-light illuminator 23
3.4	Connecting stereo microscope to the power supply 26
3.5	Switching stereo microscope ON or OFF 26
4	OPERATION 27
4.1	Adjusting the stereo microscope 27
4.2	Setting reflected-light illumination 28
4.2.1	Integrated vertical illuminator 28
4.2.2	Spot illuminator 29
4.2.3	Double spot illuminator 29
4.2.4	Ring illuminator 30
4.2.5	Controller K LED 31
4.3	Transmitted-light illuminators 32
4.3.1	Transmitted-light module in stand K EDU 32
4.3.2	Transmitted-light unit in stand K LAB 33
5	CARE, MAINTENANCE AND SERVICE 34
5.1	Care 34
5.2	Maintenance 35
5.2.1	Replacing the power unit 35
5.2.2	Opening the stand cover plate, stand K EDU 36
5.2.3	Opening the stand cover plate, stand K LAB 37
5.2.4	Wearing parts 38
5.3	Service 38
5.4	Product disposal 39

6	APPENDIX.....	40
6.1	List of abbreviations	40
6.2	Troubleshooting	41
6.3	List of illustrations	42
6.4	Index	43

1 INTRODUCTION

1.1 General information

The stereo microscope Stemi 305 has been designed, produced and tested in compliance with the standards DIN EN 61010-1 (IEC 61010-1) and IEC 61010-2-101 "Safety Requirements for Electrical Measuring, Control and Laboratory Equipment".

The device meets the requirements of the EC Directive 98/79/EC regarding ivd products and the EC RoHS Directive 2011/65/EU and carries the **CE** mark.

This operating manual contains information and warnings to be observed by the operator.

The devices must be disposed of in compliance with the WEEE Directive 2012/19/EU.

In this operating manual, the following warning and information symbols are used:



CAUTION

This symbol indicates a possible hazard to the user.



CAUTION

*LED risk group 2 acc. to DIN EN 62471:2009 Optical radiation is emitted.
Do not look into the beam. This may damage your eyes.*



CAUTION: High-energy UV radiation!

Risk of damage to eyes and skin!



CAUTION

Hot surface!



CAUTION

Remove the power plug before any intervention in the instrument!



ATTENTION

This symbol indicates a possible hazard to the instrument or system.



NOTICE

This symbol indicates information which deserves special attention.

1.2 Notes on instrument safety



If it becomes apparent that the safety measures are no longer effective, the device must be taken out of service and secured against being used again unintentionally. Please contact a ZEISS service agency or the Carl Zeiss Microscopy Service to have the instrument repaired.

The Stemi 305 Information regarding instrument safety and installation conditions (435063-6044-008) and the Stemi 305 short operating instructions (435063-8044-008) as well as the operating instructions regarding the light sources also must be observed.



Do not operate the devices included in the scope of supplies in a potentially explosive atmosphere, in the presence of volatile anaesthetics or flammable solvents such as alcohol, gasoline or similar substances.



The devices may only be operated by instructed persons who have been informed about the possible risks in conjunction with the use of microscopes and the fields of application in question. The microscope is a high-precision device that may be impaired in its performance or even destroyed if handled improperly.



Before commissioning the instrument, make sure that the existing power supply is suitable for the instrument.



Make sure that the mains plug is removed from the socket before the instrument is opened.



The devices are not equipped with special equipment protecting them from corrosive, potentially infectious, toxic and radioactive or other samples that may be hazardous to health. If you handle such samples, be sure to observe all legal requirements, in particular the relevant national accident prevention regulations.



The LED reflected-light illuminators and the LED transmitted-light illuminators have been classified as belonging to LED risk group 2 acc. to DIN EN 62471:2009. Avoid looking directly into the LED light.



If the device is operated with an external cold light source (high-energy light), never look directly into the fibre optic output of the cold light source. Otherwise, there is a risk of dazzling and blindness.



Never cover the open light guide socket or the fibre optic output. There is a fire hazard!

In all cases avoid covering the open light guide socket or the fibre optic output with your hand or other parts of your body. There is a risk of burns!



Safe disconnection from the power supply is ensured exclusively by removing the mains plug. The switch on the microscope only switches into standby mode.



Do not replace detachable mains cables by inadequately designed mains cables. Only the specified power supply lines may be used.



The microscope and the controller K LED are equipped with a desktop power unit each allowing line voltages in the range from 100 V to 240 V $\pm 10\%$, 50 – 60 Hz, without the need for changing the voltage setting on the device.



The desktop power unit meets the requirements of protection class II (with protective insulation). If its casing is damaged, put the power unit out of operation. The microscope may only be operated with the desktop power unit supplied with the instrument.



Changing the lamps on the cold light source is only admissible in accordance with the manufacturer's operating manual. If the appropriate instructions are not complied with, there is a risk of burns and explosion when changing the lamp.



Defective devices should not be disposed of with household waste; dispose of them in compliance with the statutory provisions.



Samples must also be disposed of appropriately in accordance with the applicable statutory provisions and internal work instructions.



The stereo microscope Stemi 305 incl. its original accessories may only be used for the applications described in this operating manual. The manufacturer cannot assume any liability for other applications, including those of individual modules or single components. Changes to and maintenance on this device and on devices which are operated together with the microscope may only be performed by our service or by authorized persons. The manufacturer of the devices does not accept any liability for damage due to unauthorized interventions in the device. Moreover, such interventions invalidate all guarantee / warranty claims.



Dirt and dust may impair the performance of the device. The device must therefore be protected from such influences to the greatest possible extent and covered with the dust cover when not in use. Before covering the device, always make sure that it is definitely switched OFF. Considerable temperature fluctuations, direct exposure to sunlight and vibrations should be avoided.



Blocking or covering ventilation louvers may result in heat accumulation which may damage the device and in extreme cases even cause fire. Always keep ventilation louvers free and do not insert or allow any objects to fall into them. All electrical components and parts must be located at a distance of min. 15 cm from flammable objects and walls.



When operating a Stemi 305 cam, please refer to the appropriate operating instructions incl. the safety provisions contained in them before commissioning the device.



If it is intended to operate the Stemi 305 with an external fibre optical cold light source, please refer to the appropriate operating instructions incl. the safety provisions contained in them before commissioning the light source.



The desktop power unit must not get into contact with moisture.



For transport over an extended distance, the device must be dismantled partially and transported in its original packaging.



To transport the device over an extended distance, use the original packaging or the transport case Stemi 305/508.



To connect the LED illuminators of the Stemi 305 system, six-pin modular connectors are used which are known from telecommunications (type: RJ-12).

Only the LED illuminators pertaining to the Stemi 305 may be connected to the RJ-12 sockets in the microscope body and in the stands of the Stemi 305. Only the connection cables supplied with the device may be used.

The use of commercially available cables with RJ-12 connectors or the connection of fax units, modems or other telecommunication equipment to the RJ-12 sockets of the Stemi 305 is prohibited.

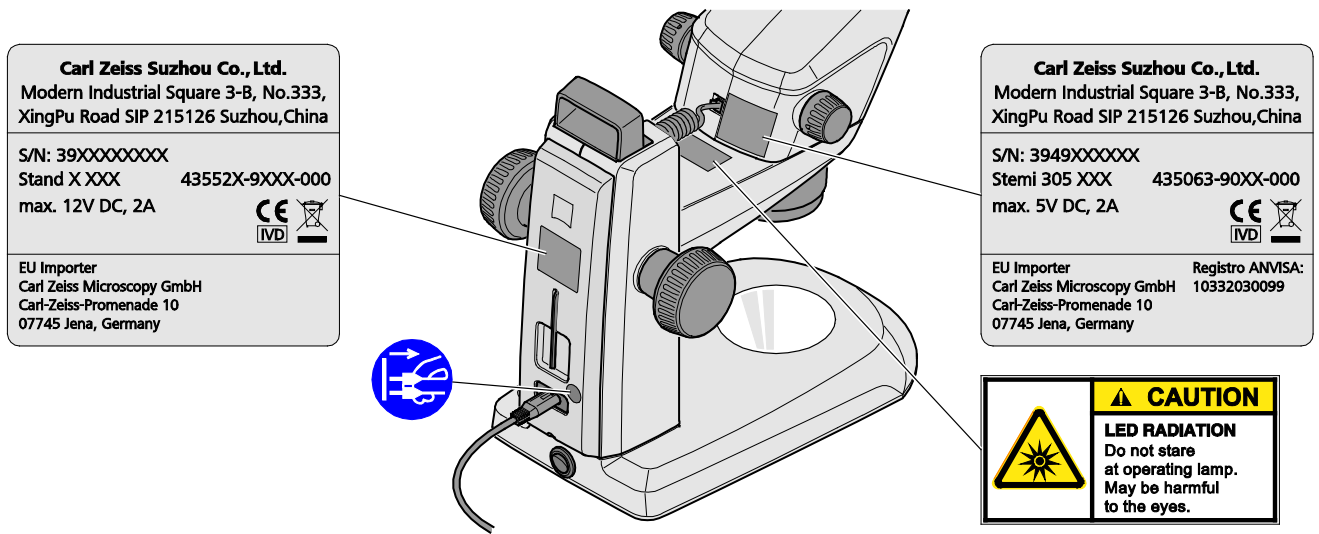
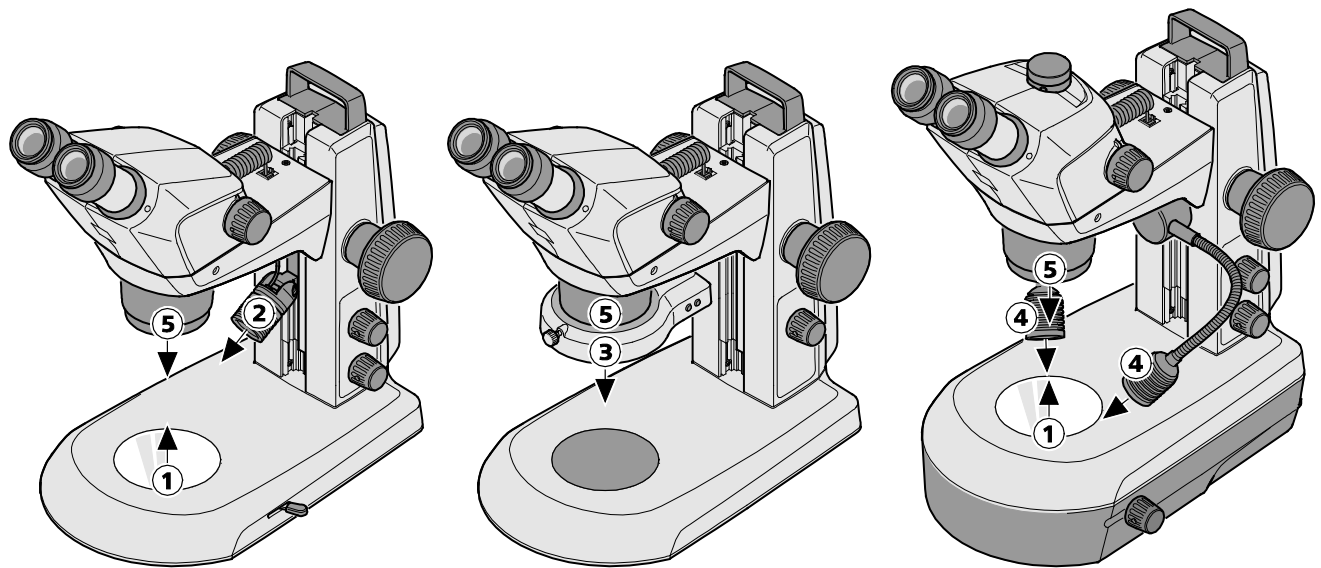


Fig. 1 Warning and information labels on the device



- 1 LED aperture, transmitted-light illuminators
- 2 LED aperture, spot illuminator K LED
- 3 LED aperture, ring illuminator K LED, segmentable
- 4 LED aperture, double spot illuminator K LED
- 5 LED aperture, integrated vertical illuminator

Fig. 2 Warning labels and apertures for LED radiation

1.3 Warranty notes

The manufacturer guarantees that the device is free from material or manufacturing defects when delivered. Any defects which may have occurred must be reported to us immediately and steps be taken to minimize damage. If notified of such a defect, the device manufacturer is obligated to rectify it at his discretion, either by repairing the instrument or by delivering an intact replacement. No guarantee is provided for defects caused by natural wear (wearing parts in particular) and improper use.

The instrument manufacturer shall not be liable for damage caused by faulty operation, negligence or any other tampering with the device, particularly the removal or replacement of instrument components, or the use of accessories from other manufacturers. Such actions will render all warranty claims invalid.

No maintenance or repair work may be performed on the microscopes which exceed the activities specified in this operating manual. Repair may only be performed by ZEISS Service or by persons specifically authorized by it. Should any malfunctions occur on the device, please first contact the Carl Zeiss Microscopy Service or, abroad, the ZEISS representative in your area.

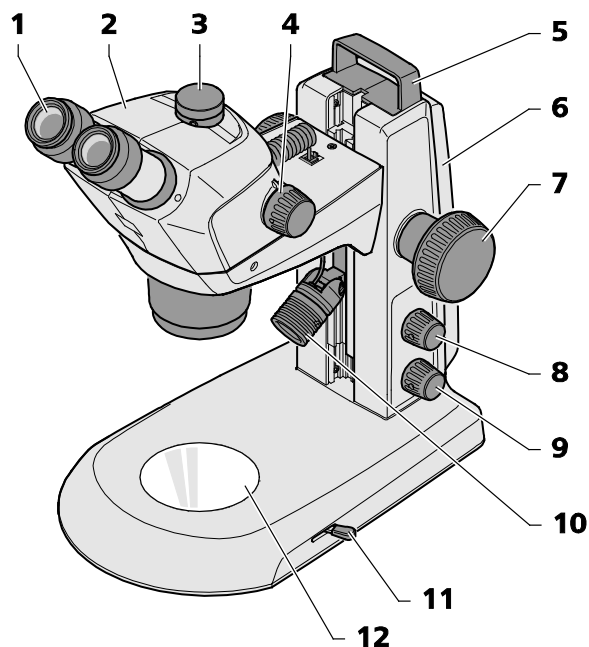
2 DESCRIPTION

2.1 Indication for use

The stereo microscopes Stemi 305 are microscopes for magnifying spatial observation of small objects. They have been designed and built for training purposes in schools, universities and natural science facilities. They are used, moreover, in biological and medical laboratories, in industrial manufacture and quality assurance.

Stemi 305 is envisaged for applications in biology and in medicine for the analysis of blood and/or tissue samples from the human body. Applications in the field of diagnostic medicine are explicitly excluded, except for the field of medical research.

2.2 Microscope system



- | | | | |
|---|------------------------------------------------------------------|----|----------------------------------------------------------------------------------------------------------------------------------------------------------|
| 1 | Eyepiece in eyepiece tube (eyepiece 10x/23) | 8 | Rotary/push-button for switching ON and OFF the illuminators or the additional reflected-light illumination and for adjusting the illumination intensity |
| 2 | Microscope body (trinocular) with installed vertical illuminator | 9 | Rotary/push-button for switching ON and OFF the transmitted-light illumination and for adjusting the illumination intensity |
| 3 | Interface for cameras with C-mount connector | 10 | Reflected-light illumination (spot illuminator K LED) |
| 4 | Zoom button to adjust the magnification | 11 | Lever for adjusting the transmitted-light illuminator – bright field or dark field on the stand K EDU |
| 5 | Handle | 12 | Insert plate for placing the specimen |
| 6 | Stand (model K EDU) | | |
| 7 | Focusing drive to focus the specimen | | |

Fig. 3 Microscope system Stemi 305



The illustrated microscope equipment shows an example and may differ from the ones actually existing!

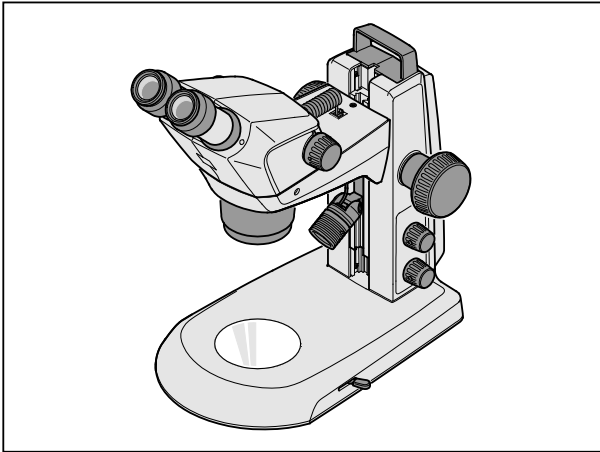


Fig. 4 Stemi 305 EDU microscope set

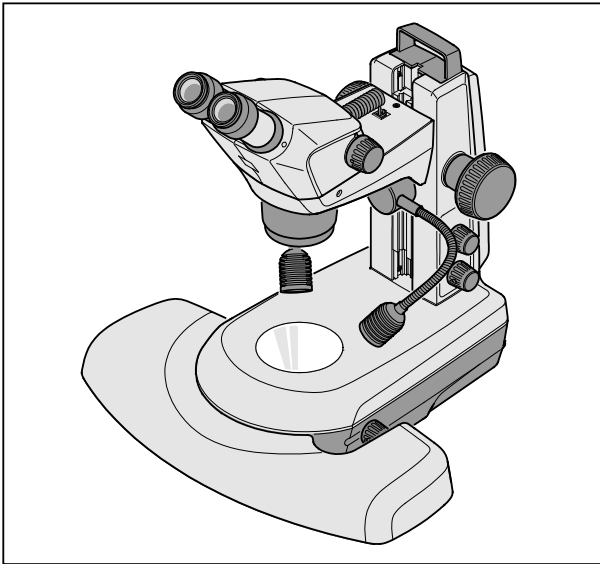


Fig. 5 Stemi 305 LAB microscope set

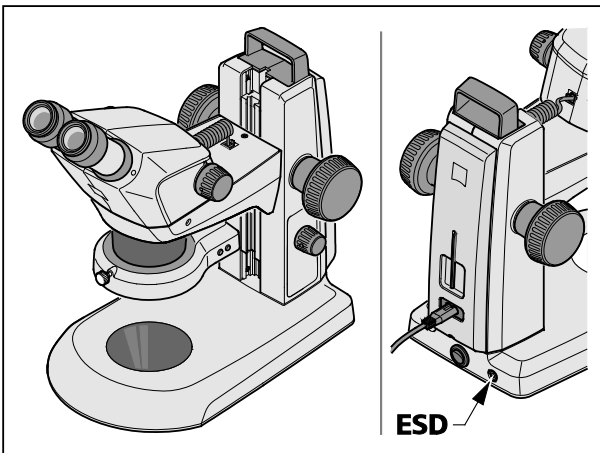


Fig. 6 Stemi 305 MAT microscope set

2.3 Microscope sets and fields of application

Stemi 305 EDU:

- Stemi 305 body in stand K EDU
- integrated controllable vertical illuminator
- reflected-light spot illuminator with height and angle adjustment, zoomable
- flat transmitted-light unit for bright and dark field
- for training in tutorial rooms and training institutes

Stemi 305 LAB:

- Stemi 305 body in stand K LAB
- integrated controllable vertical illuminator
- double spot illuminator with height and angle adjustment
- reflected-light module for bright and dark field and relief contrast
- hand rest (optional)
- for separation and documentation in the laboratory

Stemi 305 MAT:

- Stemi 305 ESD body in stand K MAT
- integrated controllable vertical illuminator
- segmentable ring illuminator for reflected light
- for industrial quality assurance and manufacture
- ESD-capable thanks to its antistatic surface

2.4 Interfaces on the microscope body Stemi 305

- 1 Optional mount for eyepiece plates
Ø 26 mm
- 2 Eyepiece tube Ø 30 mm to replace the eyepieces
- 3 Integrated camera adapter 0.5x with C-mount connector for cameras up to 2/3" (only for Stemi 305 trino)
- 4 Internal thread M52x1.0 to accommodate front optics and other accessories
- 5 Mount Ø 66 mm for ring illuminator
- 6 Mount Ø 76 mm for microscope body
- 7 Mount Ø 84 mm for tables, insert plates
- 8 Guide for mounting a reflected-light spot illuminator
- 9 M8 thread to mount retaining arms (only stand K)

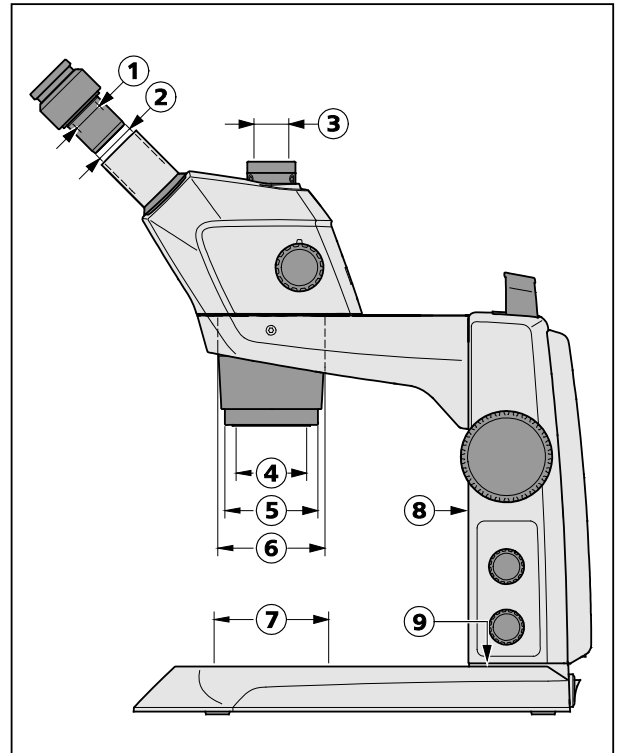


Fig. 7 Interfaces on the Stemi 305 with stand K LED (schematic diagram)

Thanks to the interface Ø 76 mm, the Stemi 305 can also be used in conjunction with other stands of the modular kit of the Stereo system – and other ZEISS stereo microscopes such as e.g. the Stemi 508, may also be inserted in the stands K.

Front optics, Stemi 305

- External thread M52x1.0 for fastening in the zoom body Stemi 305
- Internal thread M49x0.75 to accommodate optical filters and analyzer for pol.

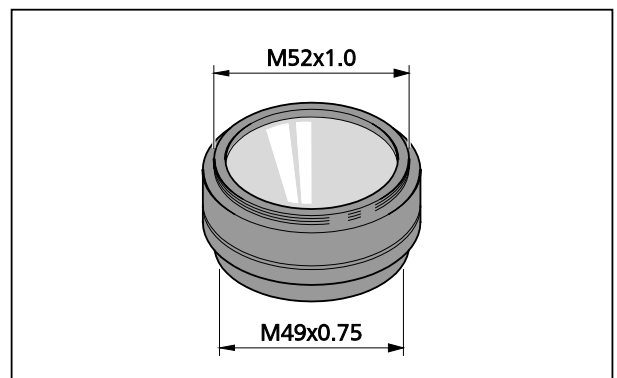
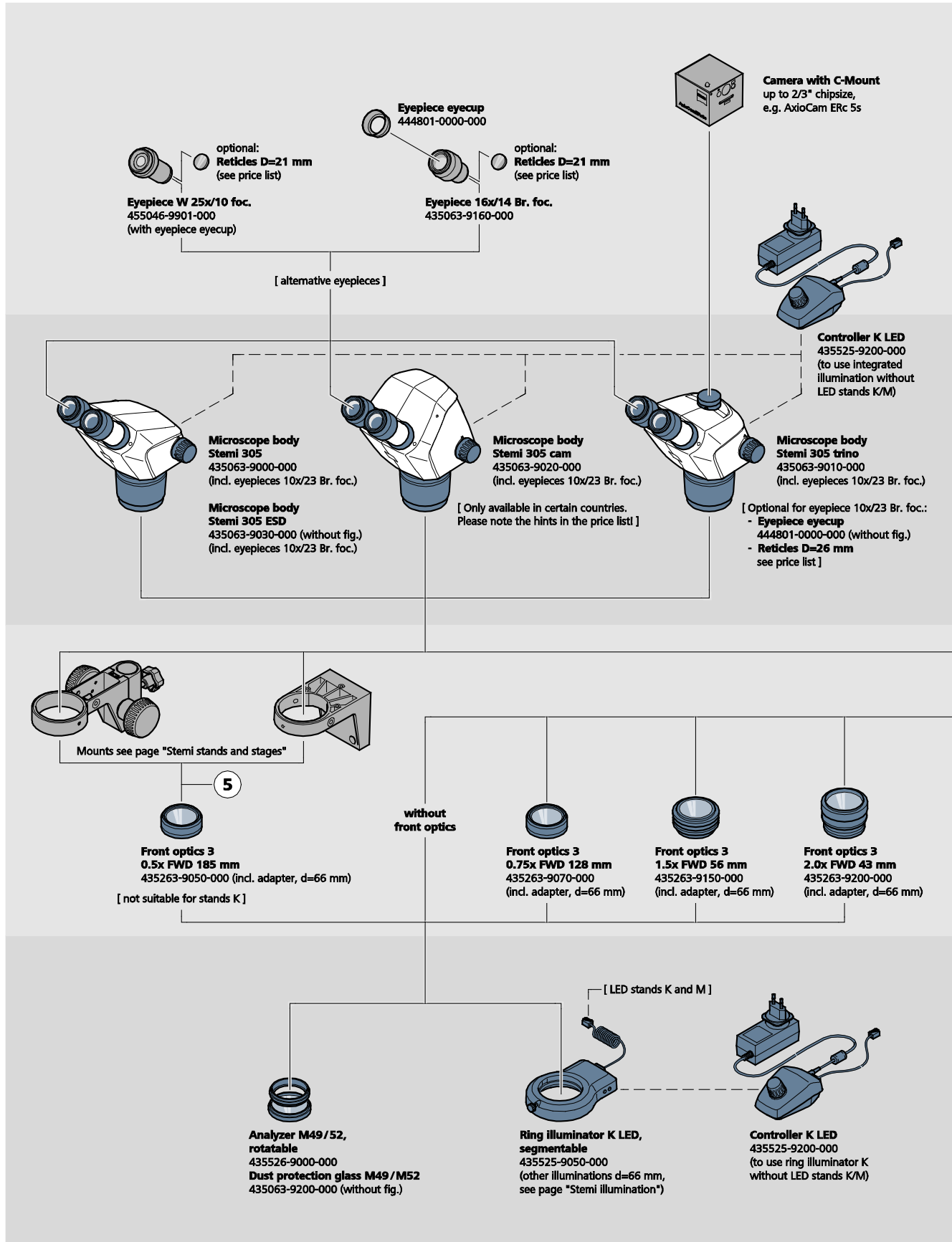
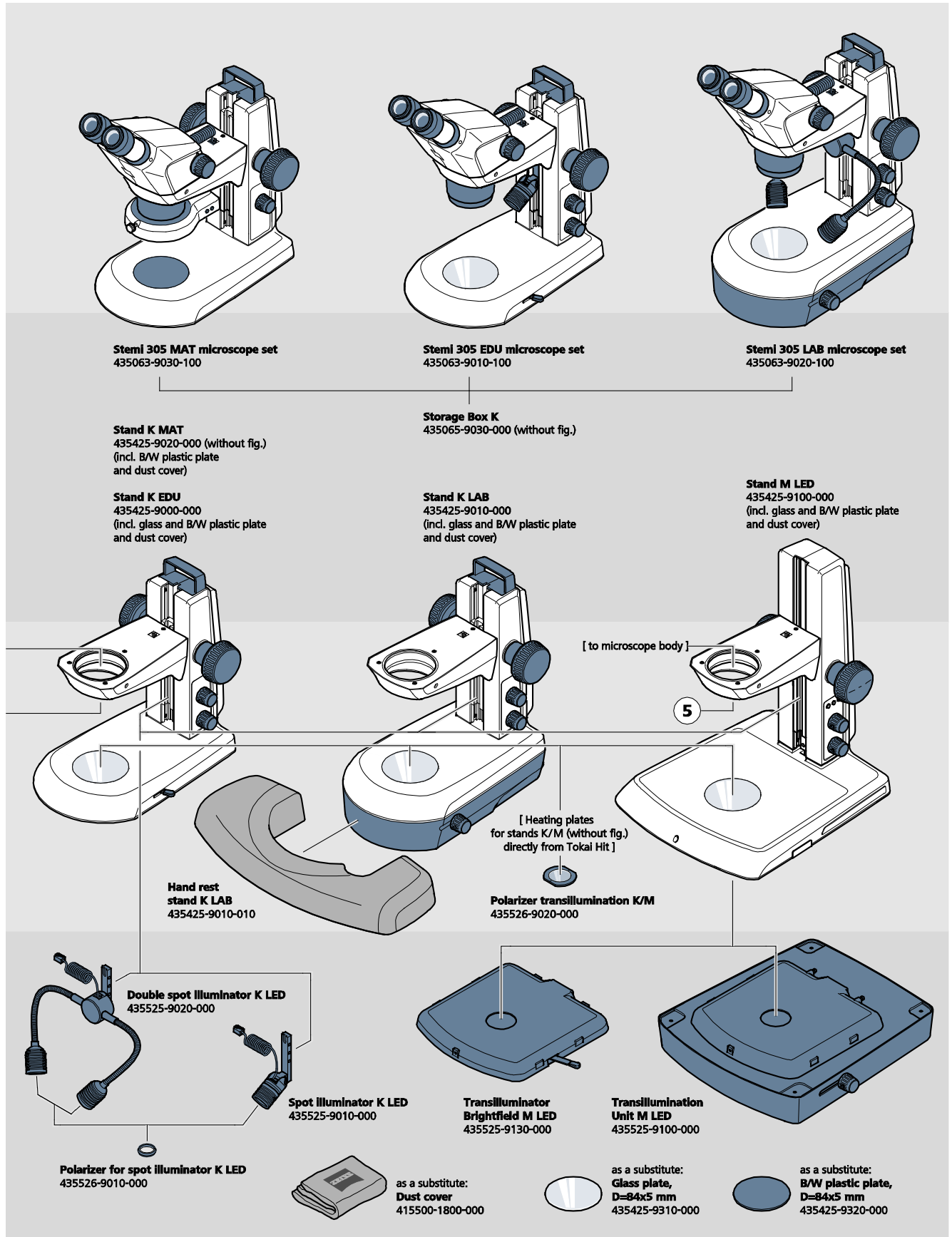


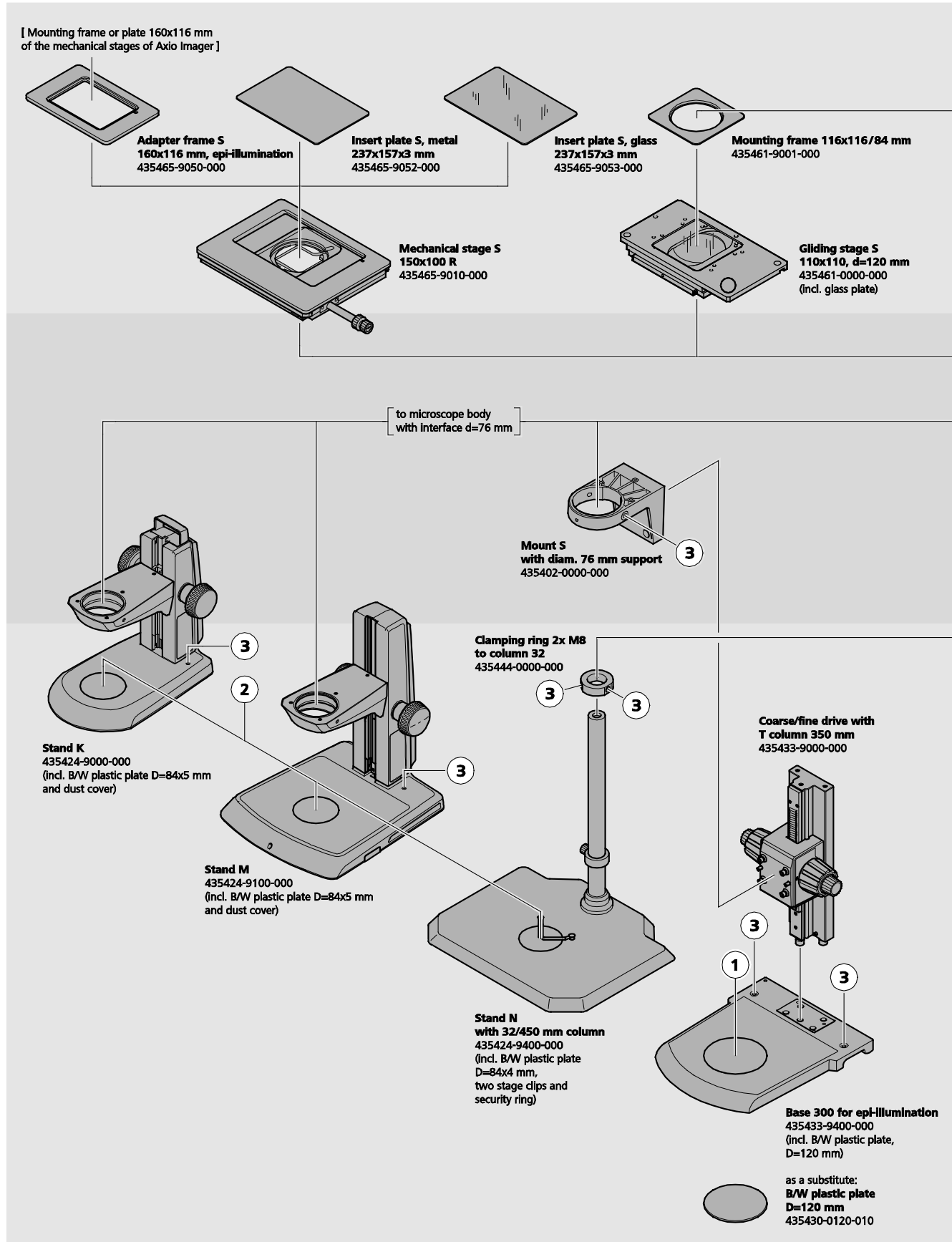
Fig. 8 Front optics, Stemi 305 (example)

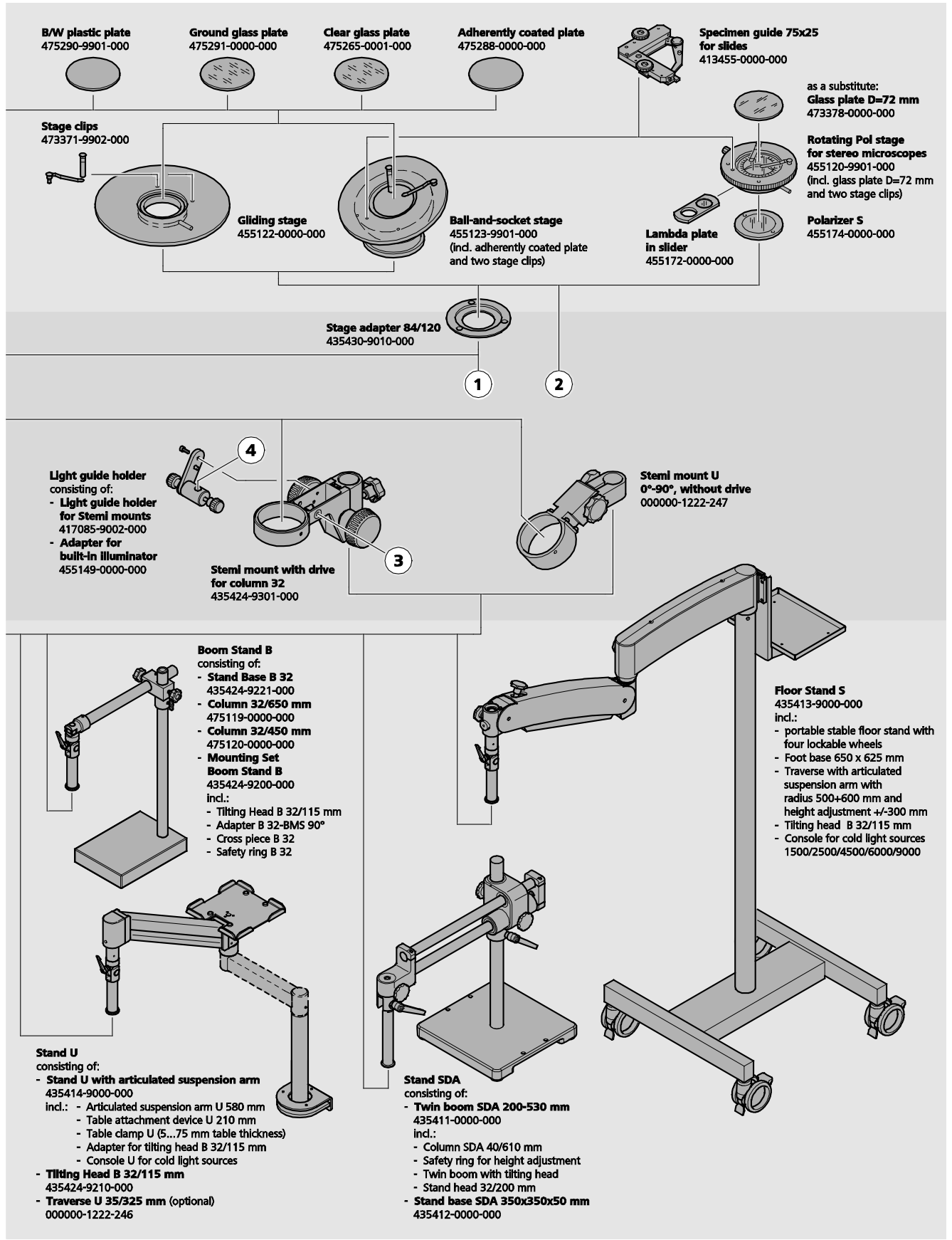
2.5 System overview

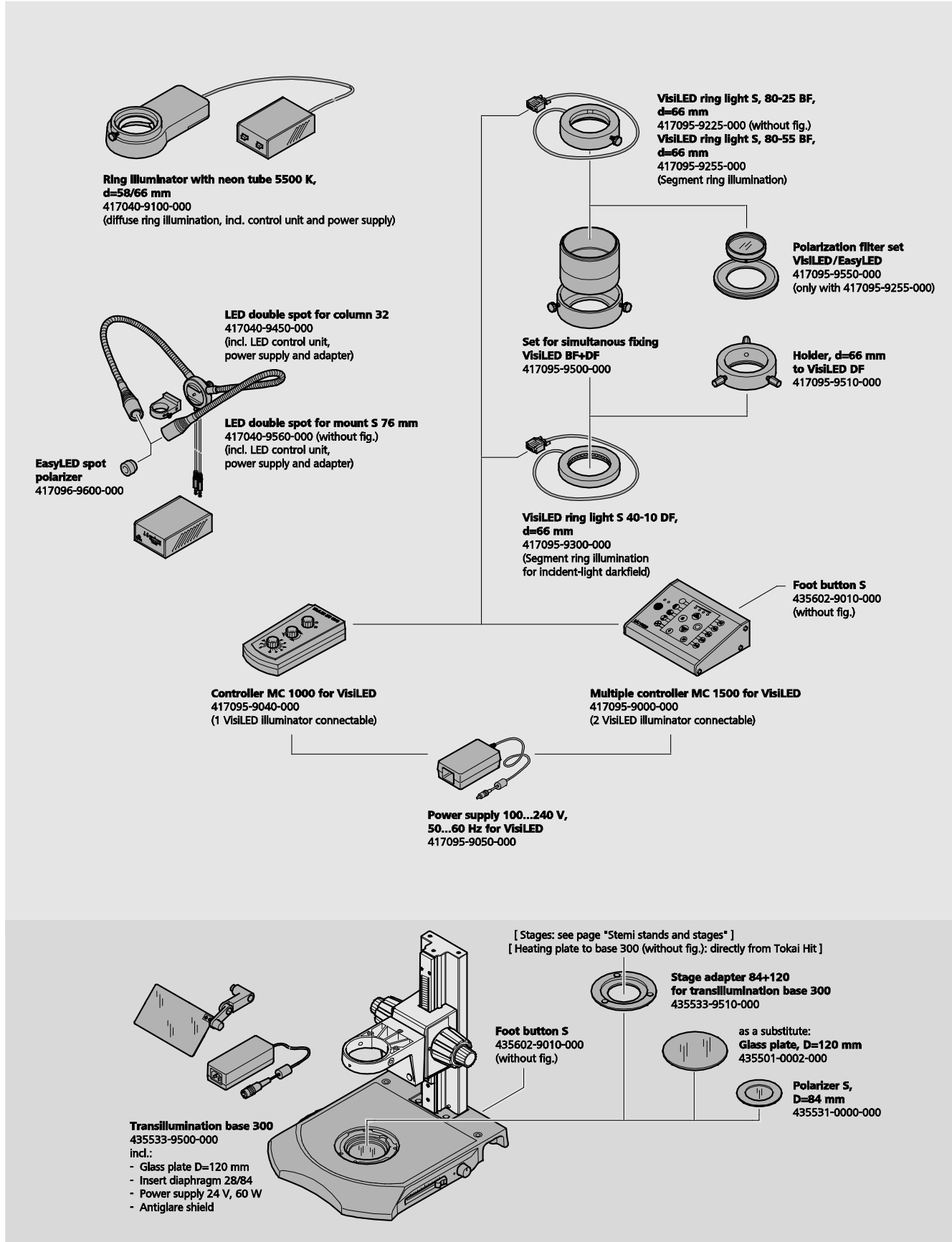
English

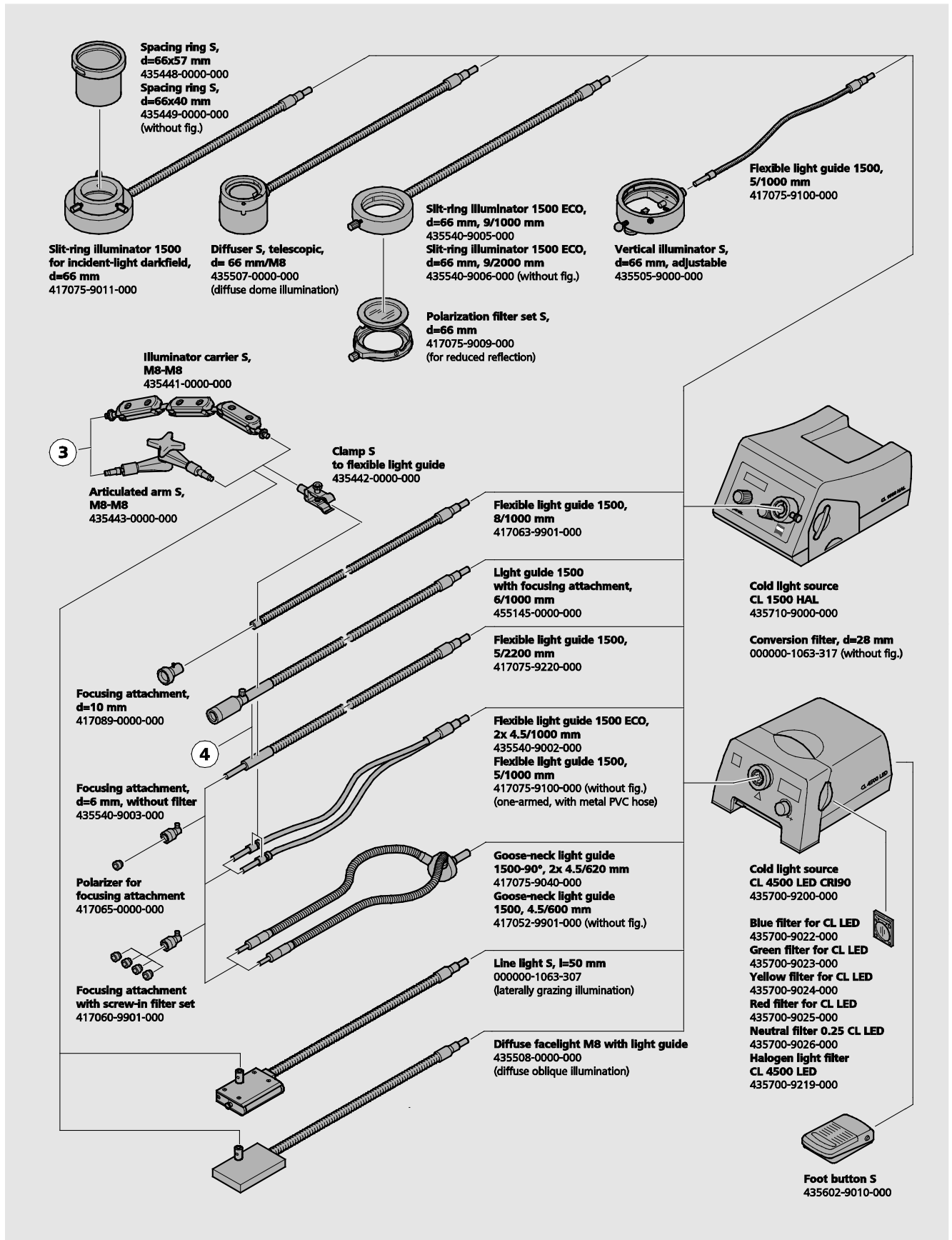








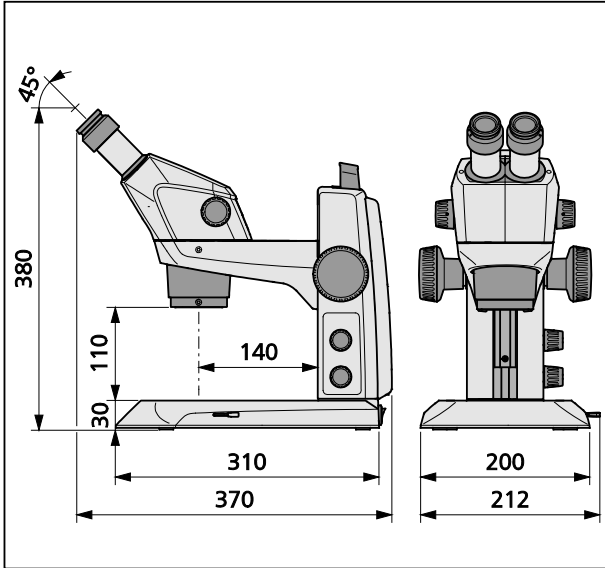




2.6 Technical data

Microscope system Stemi 305 EDU

Dimensions

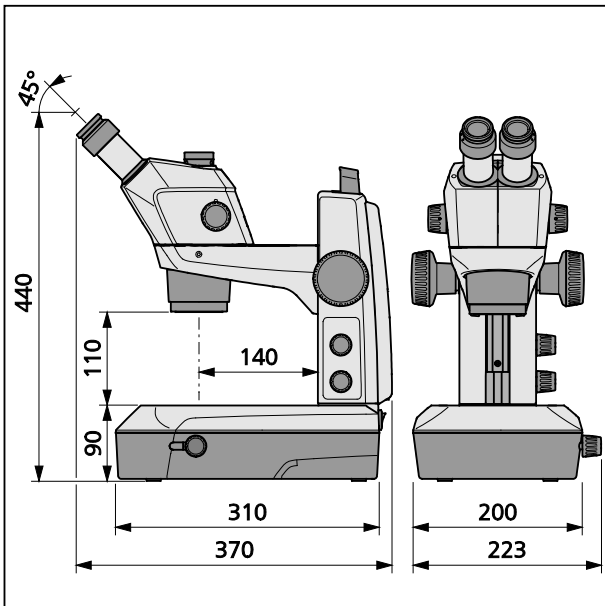


Weight

Stemi 305 in stand K EDU 4.6 kg

Microscope system Stemi 305 LAB

Dimensions



Weight

Stemi 305 in stand K LAB 6.2 kg

Ambient conditions

Storage (in packaging)

Admissible ambient temperature +10 °C to +40 °C
 Admissible relative humidity max. 75 % at +35 °C (non-condensing)

Transport (in packaging)

Admissible ambient temperature -40 °C to +70 °C

Operation

Admissible ambient temperature +10 °C to +40 °C
 Admissible relative humidity max. 75 %
 Atmospheric pressure 800 hPa to 1060 hPa
 Pollution degree..... 2
 Field of application..... closed rooms
 Height of field of application max. 2000 m

Operating data – desktop power units, microscope and controller K LED


Safety Class II
 Type of enclosure IP 20
 Electrical safety acc. to DIN EN 61010-1 (IEC 61010-1)
 taking CSA and UL regulations into account
 Pollution degree..... 2
 Overvoltage category 2
 Line voltage 100 V to 240 V ±10 %
 Due to the fact that the instrument features a multi-voltage power supply unit, change-over .
 of the device voltage not required!
 Line frequency 50 Hz – 60 Hz
 Power consumption: Desktop power unit with connected microscope max. 40 VA
 Output desktop power unit for microscope
 and for Controller K LED 12 V DC, max. 2 A
 Input desktop power unit for microscope
 and for Controller K LED 100 V to 240 V, 50 – 60 Hz, max. 0.55 A

Optical risk group classification acc. to DIN EN 62471:2009

Overall device	LED risk group 2 acc. to DIN EN 62471:2009
Integrated vertical illumination.....	LED risk group 2 acc. to DIN EN 62471:2009
Spot illuminator K LED (reflected illumination).....	LED risk group 2 acc. to DIN EN 62471:2009
Double spot illuminator K LED (reflected illumination)	LED risk group 2 acc. to DIN EN 62471:2009
Transmitted-light unit in stand K LAB.....	LED risk group 2 acc. to DIN EN 62471:2009
Transmitted-light unit in stand K EDU	LED risk group 2 acc. to DIN EN 62471:2009
LED reflected illumination, peak at 460 nm.....	LED risk group 2 acc. to DIN EN 62471:2009
LED transmitted illumination, peak at 465 nm.....	LED risk group 2 acc. to DIN EN 62471:2009

3 INSTALLATION

3.1 General information

 Before installing and commissioning the device, make sure to read the **Notes on instrument safety** carefully (see section 1.2, Page 4).

The Stemi 305 with the necessary tools and optional equipment is delivered in several standard packages.

- Take all units out of the packaging and check them for completeness according to the delivery note.

 For installation and/or transport of the microscope or the stand, exclusively use the handle (Fig. 3/5) provided to this effect.

- Remove transport securing devices (adhesive tapes etc.).
- Keep original packaging for a possibly extended period of storage or return of the device to the manufacturer or dispose of it appropriately.

3.2 Installing the stereo microscope

- Place stand on a level, firm support.
- If the Stemi 305 body (Fig. 10/2) has not yet been mounted, insert it in the Stemi mount (Fig. 10/4), align it and secure it using the clamping screw (Fig. 10/6). The appropriate Allen key (Fig. 10/9) is located in the support on the back of the device.
- If the two eyepieces (Fig. 10/1) have not yet been mounted, insert them both to their stop in the eyepiece tube.
- Remove the two protective caps from the eyepieces (Fig. 9/1) and remove the protective cap (Fig. 9/2) from the objective by turning.

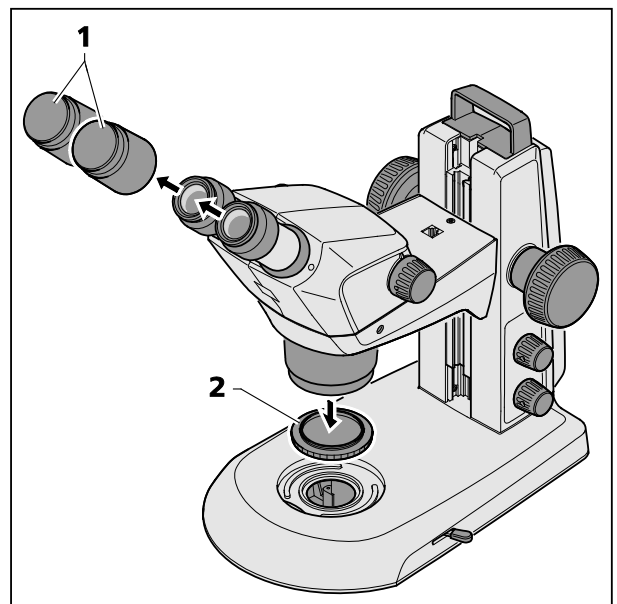


Fig. 9 Removing caps

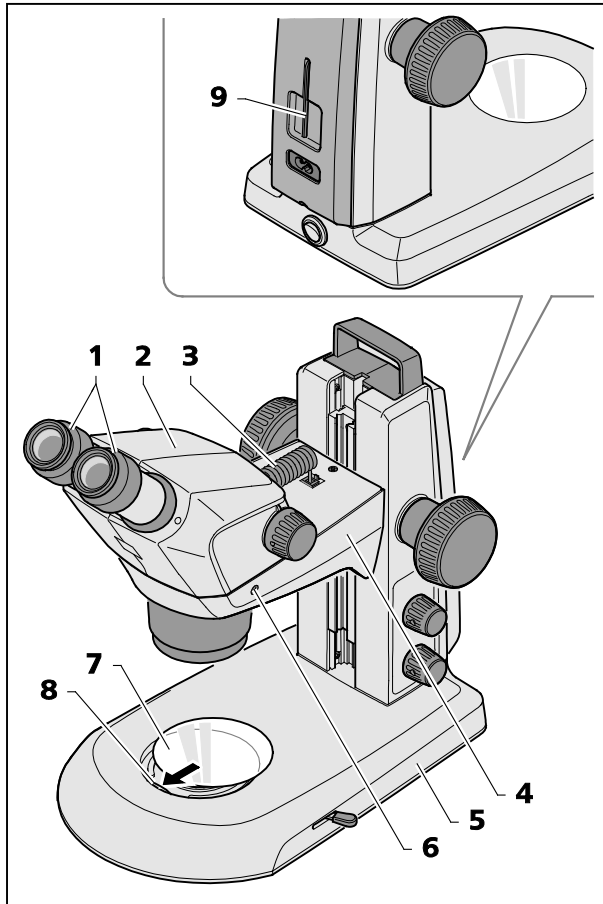


Fig. 10 Installing the stereo microscope

- Insert the connection cable (Fig. 10/3) supplied with the device into the socket on the Stemi body and in the socket on the Stemi mount.
- Insert glass plate or B/W plastic plate (Fig. 10/7) in the mount in the base of the stand. To this effect, press the glass plate or the B/W plastic plate against the spring (Fig. 10/8) and make it lock in.



Installation of an additional reflected-light illuminator has been described in section 3.3.1 on page 23.

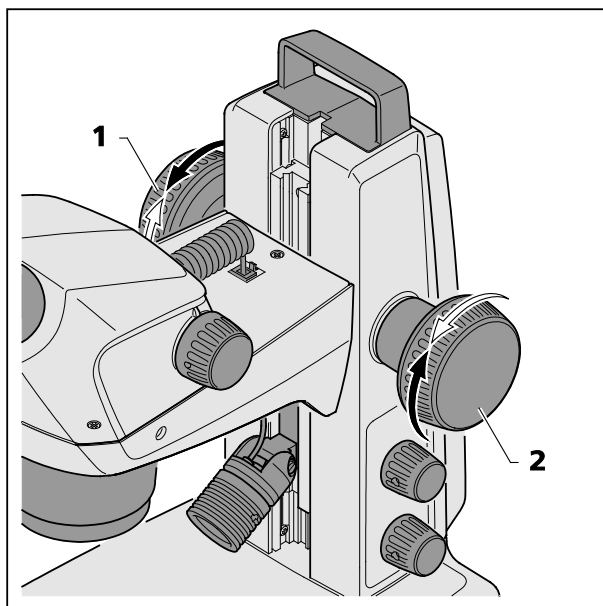


Fig. 11 Setting the ease of motion of the focusing drive



If necessary, the ease of motion of the focusing drive can be set as required on a case-by-case basis by adjusting the two focusing buttons (Fig. 11/1 and 2) in opposite directions.



The ease of motion must not be set so loosely that the drive moves downwards by itself. This might damage the microscope or the specimen.


3.3 Mounting optional components

3.3.1 Mounting additional reflected-light illuminator

Various reflected-light illuminators can be used, depending on the case of application. For fastening, defined interfaces have been provided on the microscope.

3.3.1.1 Mounting spot illuminator K LED or double spot illuminator K LED

- Move the microscope body (Fig. 12/1) into its uppermost position via the focusing knob (Fig. 12/2).
- Insert the spot illuminator (Fig. 12/7) in the stand by sliding the holder (Fig. 12/5) into the stand guide (Fig. 12/4) from below and push it upwards into the required position.
- Plug the connection cable (Fig. 12/6) of the spot illuminator into the lower socket of the Stemi mount (Fig. 12/3).

 The double spot illuminator is mounted in an analogical manner.

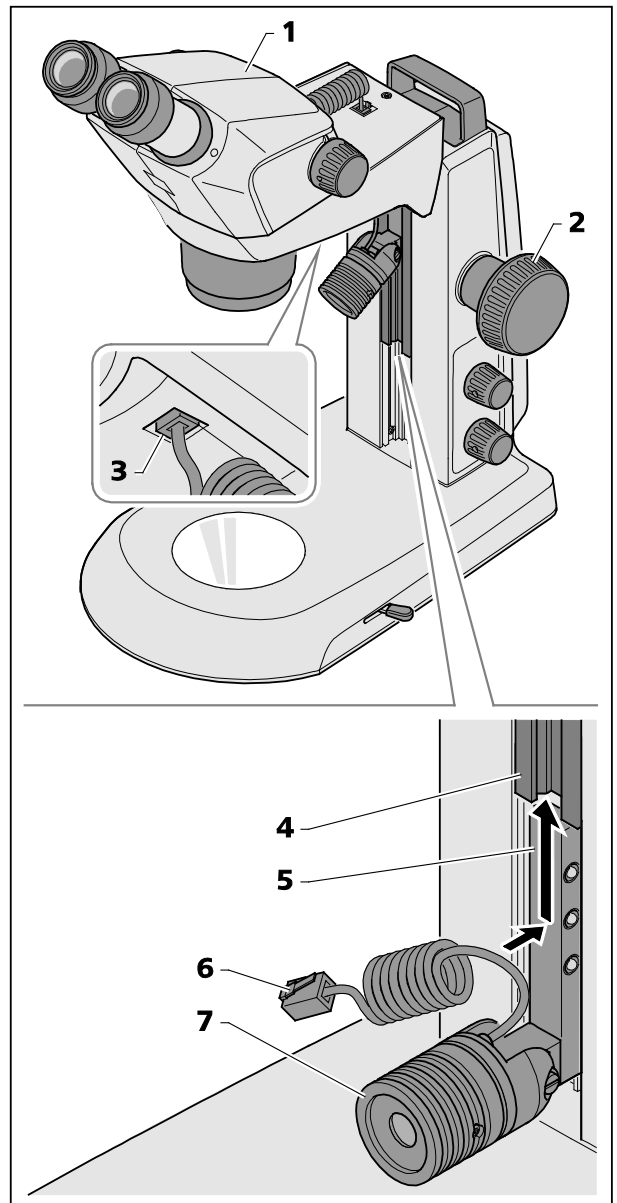


Fig. 12 Mounting spot illuminator

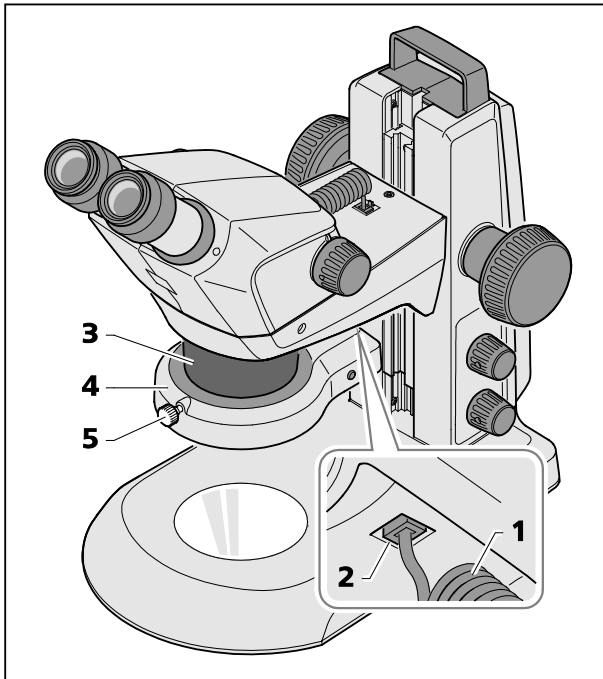


Fig. 13 Mounting ring illuminator on microscope body

3.3.1.2 Mounting ring illuminator K LED (segmentable)

Mounting ring illuminator to microscope body

- Insert the connection cable (Fig. 13/1) of the ring illuminator (Fig. 13/4) into the lower socket (Fig. 13/2) of the Stemi mount and into the socket of the ring illuminator.
- Push ring illuminator onto the microscope body (Fig. 13/3) from below, and secure using the knurled screw (Fig. 13/5).

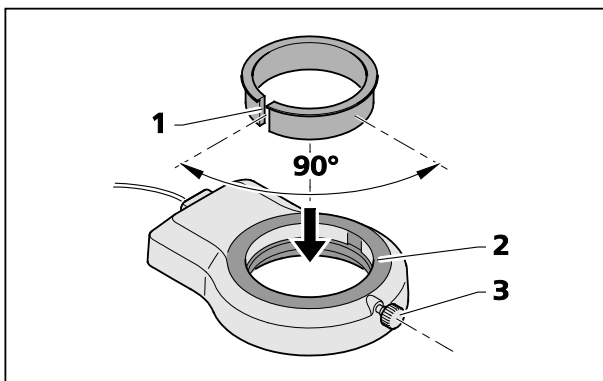


Fig. 14 Mounting ring illuminator to front optics 3

Mounting ring illuminator to front optics 3


- Screw front optics 3 into the microscope body (bottom).
- Insert the slotted adapter ring (supplied with front optics) (Fig. 14/1) into the ring illuminator (Fig. 14/2) from above.
- Push the ring illuminator including the adapter up on the front optics and fix it with the clamping screw (Fig. 14/3) (see Fig. 13).



The optimum clamping action is achieved if the slit (Fig. 14/1) of the adapter is placed at approximately 90° relative to the clamping screw (Fig. 14/3) of the ring illuminator.

3.3.1.3 External fiber-optic illumination

- Switch on external fiber-optic illumination (Fig. 15/1), adjust illumination intensity and set illumination by bending the two goose necks (Fig. 15/2) so that the specimen is optimally lit.

 To this effect, refer also to the separate operating instructions regarding the cold light source.

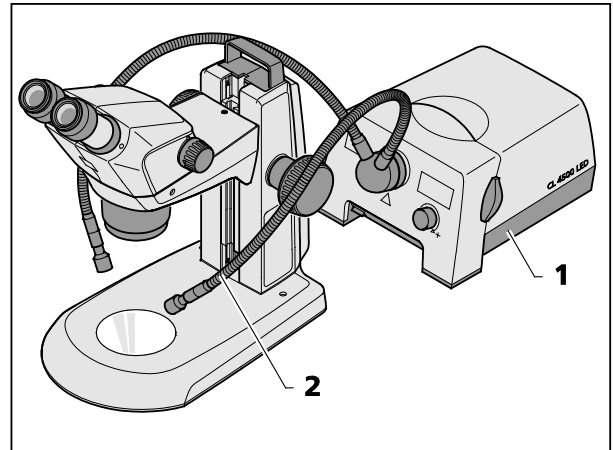


Fig. 15 Mounting external fiber-optic illumination

3.3.1.4 Placing reversible eyepiece cup onto the eyepiece


The eyepieces feature rubber protection rings for spectacles to avoid the spectacles being scratched. These rings may be replaced at choice by reversible eye cups (Fig. 16/1).

- To this effect remove the protection rings for spectacles (Fig. 16/2) from the eyepieces and position the eye cups (Fig. 16/1).

3.3.1.5 Insert the eyepiece plate into the eyepiece

The adjustable eyepieces are intended for use with eyepiece plates.

- Unscrew stop (Fig. 16/6) out of the eyepiece (Fig. 16/3).
- Pull locking ring (Fig. 16/4) out.
- Insert eyepiece plate (Fig. 16/5).
- Insert locking ring and re-fasten stop.

 If eyepiece plates are inserted by the customer, it must be ensured that the writing is mirror-inverted before insertion into the eyepiece, and true to side after insertion.

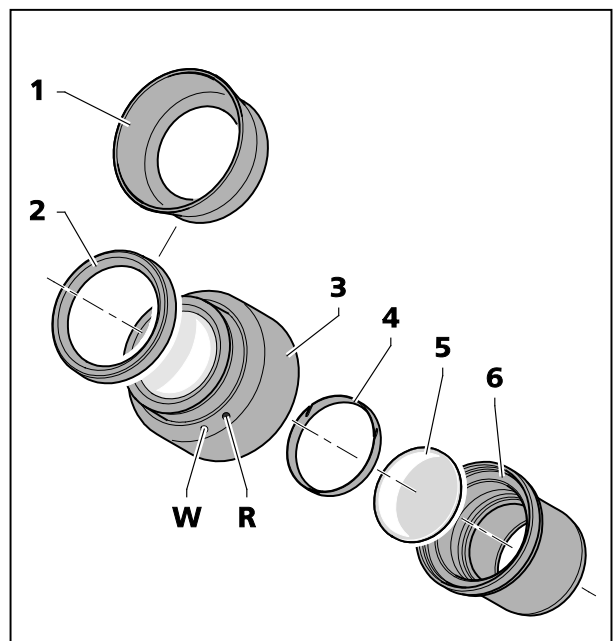


Fig. 16 Inserting the eyepiece plate

 Fine cotton gloves should be worn to insert or replace eyepiece plates.

The slight image offset which is due to the additional glass distance is taken into account on the diopter scale by the zero position not being indicated by the white dot (Fig. 16/**W**), but by a red dot (Fig. 16/**R**).



Eyepieces with pre-inserted eyepiece plates are available directly from ZEISS.

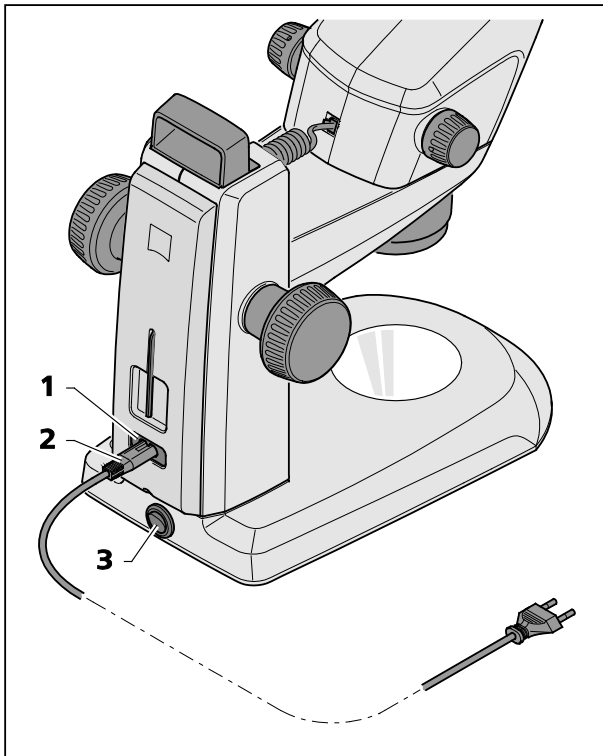


Fig. 17 Connecting the stereo microscope

3.4 Connecting stereo microscope to the power supply

- Insert the mains cable (Fig. 17/2) in the mains supply socket (Fig. 17/1) of the stand.
- Connect the mains cable (Fig. 17/2) to a mains supply socket outlet.

3.5 Switching stereo microscope ON or OFF

- Use the power switch (Fig. 17/3) to switch the stereo microscope ON or OFF.



Safe disconnection from the power supply is ensured exclusively by removing the mains plug. The switch on the stereo microscope only switches into standby mode.




Do not replace detachable mains cables by inadequately designed mains cables. Only the specified power supply lines may be used.

4 OPERATION


4.1 Adjusting the stereo microscope


The stereo microscope has been connected and switched ON.

1. Place specimen (Fig. 18/7) centrally on the glass or plastic plate (Fig. 18/6) and illuminate it (Fig. 18/5).


 The functionality of the knob for the reflected-light illuminator has been described in section 4.2 on page 28.

2. Set diopter compensation on the adjustable eyepieces (Fig. 18/1) to "0".

 "0" on white dot (without eyepiece plate). "0" on red dot (with eyepiece plate), see Fig. 19.

 Check that the eyepieces are inserted into the tube to their stop.

3. Set individual eye distance by shifting the eyepiece tube laterally (Fig. 18/2), until only **one** complete light circle (specimen field) is visible when looking into the eyepieces with both eyes.

 To this effect, a distance of approx. 2 cm must be maintained between the eye and the eyepiece.

4. Initially, set the zoom (Fig. 18/3) to the smallest magnification.


5. Focus on a small distinct detail in the center of the specimen (Fig. 18/4).

6. Adjust maximum zoom value (Fig. 18/3). Magnification will probably make the distinct detail appear blurred and no longer in the image center.

7. Sharpen the specimen by focusing, then shift the specimen to re-search for the detail and focus "sharply" again (Fig. 18/4).

8. Afterwards, reset to the lowest zoom value and correct any image blurring for each eye separately by diopter compensation **on the adjustable eyepieces** (not on the focusing knob, Fig. 18/4) (compensation of visual defect).

After adjustment of the stereo microscope, the image focus remains unchanged over the entire zoom range.

 After change of the observer, repeat steps **3.** to **8.**

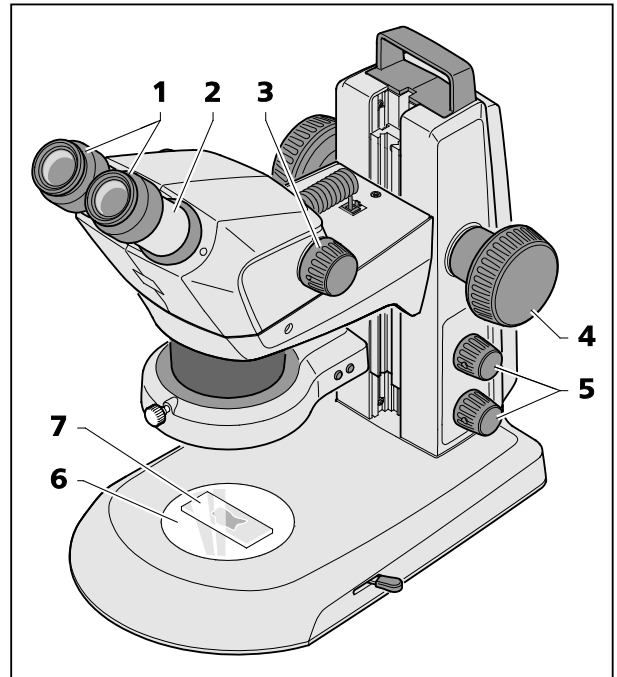


Fig. 18 Adjusting the stereo microscope

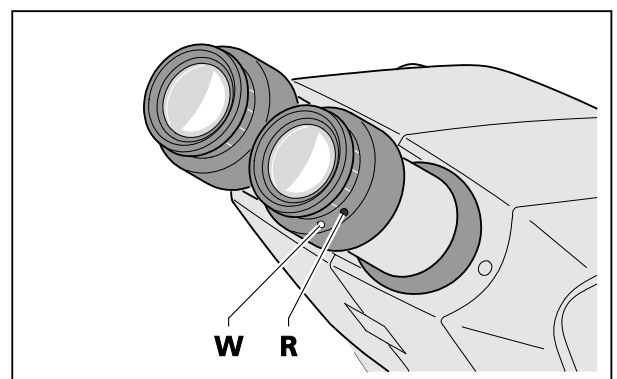


Fig. 19 Adjusting the eyepieces

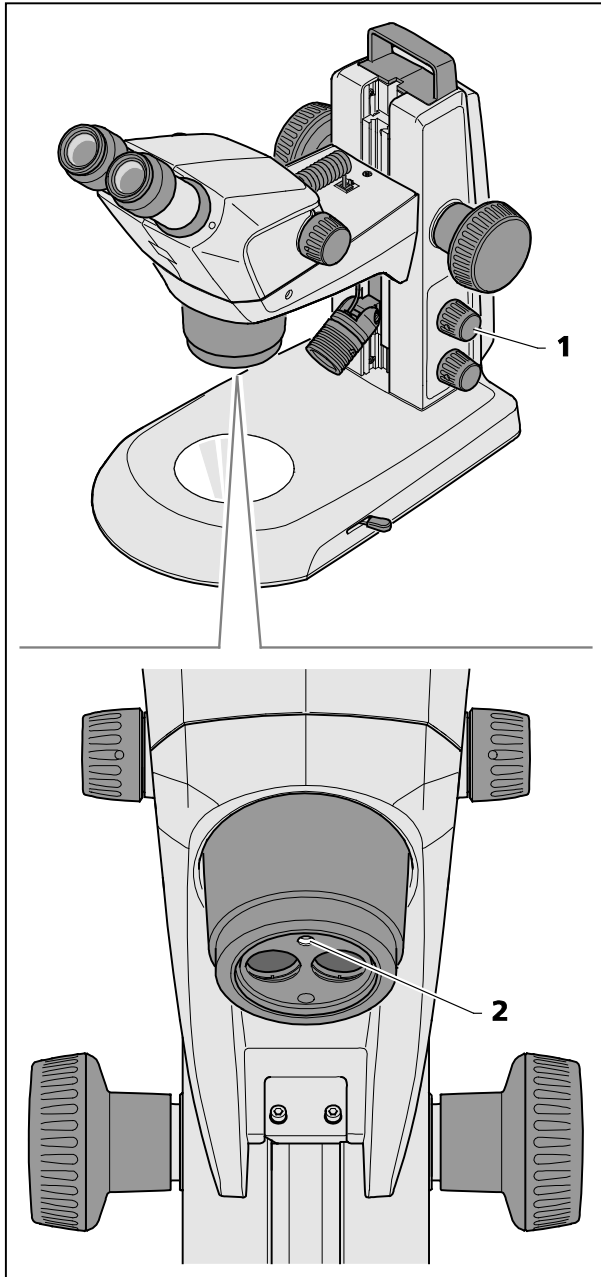


Fig. 20 Setting the vertical illuminator



When mixing both reflected-light illuminators, the intensity of the additionally installed reflected-light illuminator (spot illuminator, double-spot illuminator, ring illuminator, etc.) is adopted. In this case, only the vertical illumination is adjusted by turning the knob. Now, the required intensity of the vertical light is blended in with the reflected-light illuminator.

4.2 Setting reflected-light illumination

4.2.1 Integrated vertical illuminator

Each Stemi 305 body features a vertical illuminator of its own.

If no second reflected-light illumination has been installed, the vertical illuminator is operated as described below:


- Press the knob (Fig. 20/1) once to switch the vertical illuminator (Fig. 20/2) alternately ON or OFF.
- Turning of the knob serves to adjust the illumination intensity.

If a second reflected-light illumination has been installed, the reflected-light illuminators are operated as described below:


- Press the knob successively to set four illumination states:
 1. Press: to switch the vertical illumination ON.
 2. Press: to switch the second reflected-light illuminator ON (vertical illumination OFF).
 3. Press: to switch both reflected-light illuminators ON.
 4. Press: to switch both reflected-light illuminators OFF.
- By turning the knob, the illumination intensity of the switched-ON reflected-light illuminator can be adjusted.

4.2.2 Spot illuminator

- Push spot illuminator in the guide to the required height (Fig. 21/2).

 In the lower positions, an oblique light effect is created to produce cast shadows for enhancing surface structures.

- Set the angle (Fig. 21/1) via the pivot of the spot illuminator so that the object is optimally illuminated.
- Set size and brightness of the spot by axially shifting the focusing unit (Fig. 21/3) (illumination zoom).

 For switching the illumination intensity ON and OFF and adjusting the illumination intensity refer to section 4.2.1, page 28.

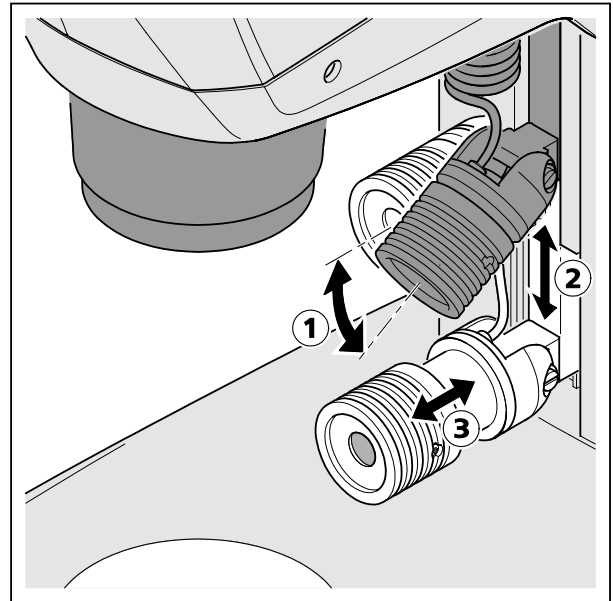




Fig. 21 Setting the spot illuminator

4.2.3 Double spot illuminator

- Move the microscope body to its uppermost position via the focusing knob (Fig. 22/1). Push double spot illuminator (Fig. 22/2) to the required level within the guide.
- Bend the two goose necks (Fig. 22/3) to adjust the spots so that the specimen is optimally illuminated.

 For switching the illumination intensity ON and OFF and adjusting the illumination intensity refer to section 4.2.1, page 28.

 Here again, an oblique light effect can be produced in the lower positions with the goose neck set horizontally.

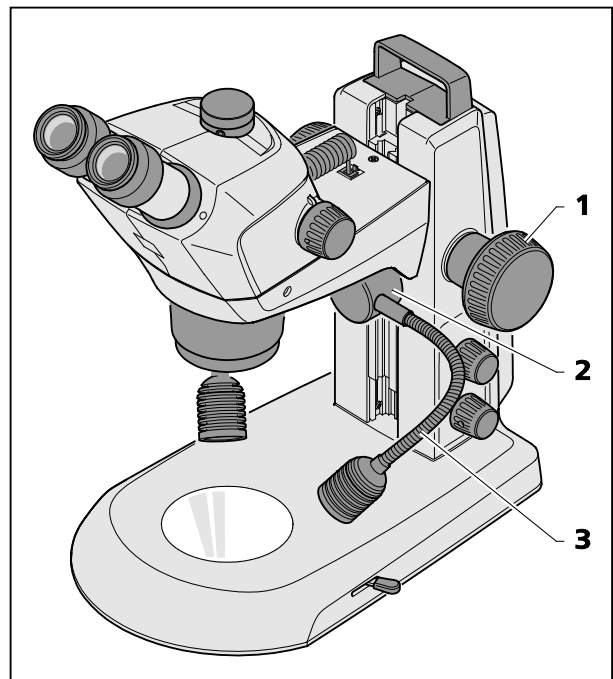



Fig. 22 Double spot illuminator

 The spot illuminator and the double spot illuminator have a thread M24 for placing polarization filters in front. The appropriate analyzer is screw-fastened in the M52x1.0 thread of the microscope body (Fig. 7/4).
By turning the spot polarizers, overexposure reflexes on the specimen can be reduced.

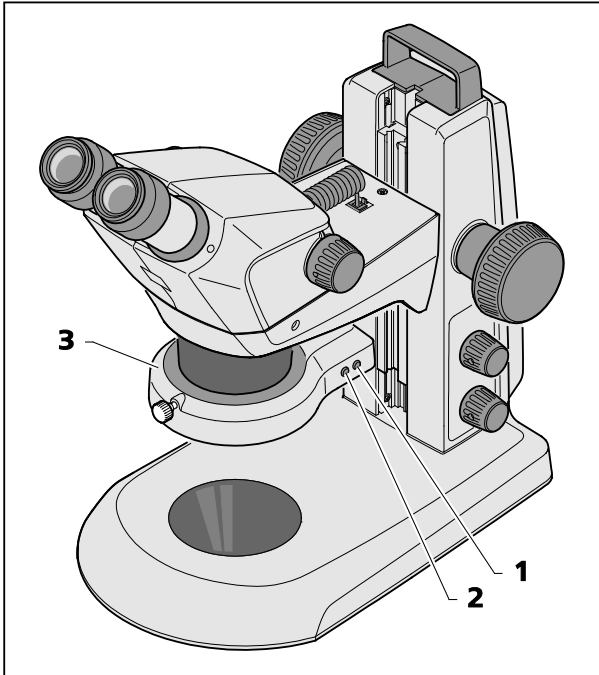


Fig. 23 Ring illuminator

4.2.4 Ring illuminator

- By pressing the front button (Fig. 23/2) successively, the user can change over between four illumination states of the ring illuminator (Fig. 23/3):
 1. Press: full circle
 2. Press: semi-circle
 3. Press: quadrant
 4. Press: two quadrants (opposite each other)
- When switching the semi-circle or quadrant illumination ON, the specimen is first illuminated from the rear (from the direction of the stand column).
- By pressing the rear button once briefly (Fig. 23/1), the adjusted segment is turned forward clockwise by one quarter turn in each case.
- By pressing and keeping the rear button (Fig. 23/1) pressed for over 2 seconds, the adjusted segment is set into continuous rotation (rotation steps of 1/8 circle, 1 second per turn in each case).
- By pressing the rear button once more (Fig. 23/1), rotation is stopped and the specimen is backlit again.



For switching the illumination intensity ON and OFF and adjusting the illumination intensity refer to section 4.2.1, page 28.

4.2.5 Controller K LED

The controller K (Fig. 24/4) is used to activate the vertical illumination of the Stemi 305 body or the ring illuminator in case of applications with boom stands B or U or additional stands.

- Mount the stands B and U including the fastening of the Stemi 305 body to the Stemi mount as described in the operating instructions for the boom stands.
- Screw-fasten front lens system 0.5x/185 mm (Fig. 24/9) to the microscope body.
- When using the ring illuminator, adapt the latter to the front lens system (Fig. 24/9) using the adapter supplied with the device (ID 58 mm, OD 66 mm).
- Secure the adhesive side of the magnetic plate (Fig. 24/7) to the swivel arm stand.
- Plug the connection cable supplied with the device (1 m long) (Fig. 24/2) into the socket (Fig. 24/8) on the microscope body or the ring illuminator and into the socket (Fig. 24/3) on the back of the Controller K (Fig. 24/4).
- Place Controller K (Fig. 24/4) next to the magnetic plate (Fig. 24/7).
- Connect Controller K to the power supply using the power unit (Fig. 24/1).
- Align swivel arm stand (Fig. 24/6) to enable an ergonomic working position.
- Turn the knob (Fig. 24/5) on the Controller K to switch the vertical illuminator (or the ring illuminator) ON and adjust illumination intensity by turning the knob.
- Place specimen in the illuminated specimen field.
- Set the stereo microscope to its initial setting, see section 4.1 on page 27.

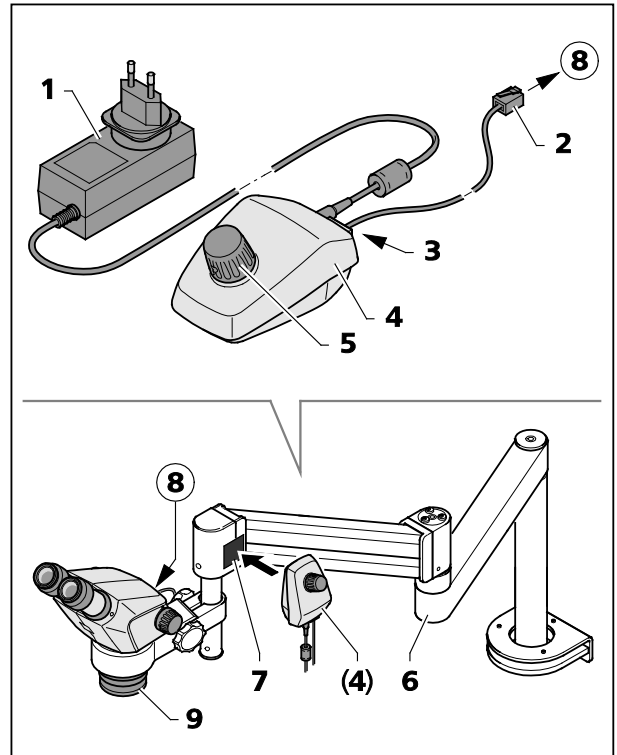


Fig. 24 Controller K LED

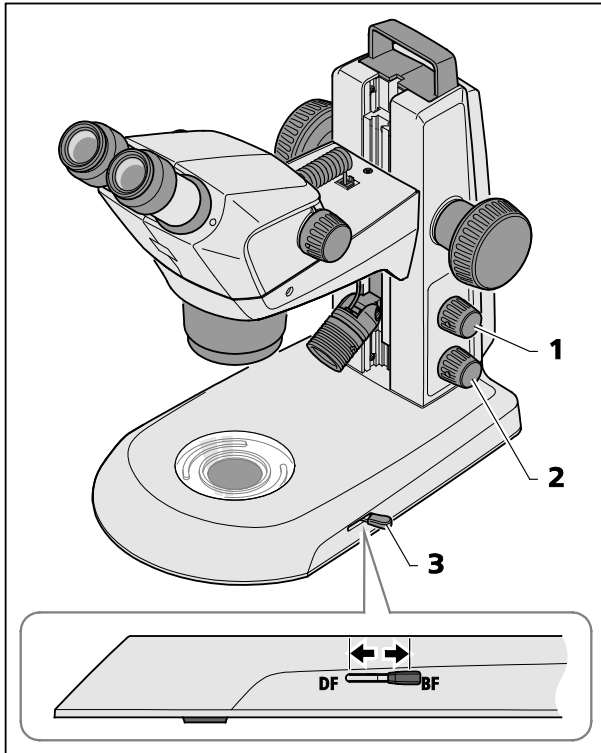


Fig. 25 Transmitted-light module in stand K EDU

4.3 Transmitted-light illuminators

4.3.1 Transmitted-light module in stand K EDU


- Switch transmitted-light illumination ON by pressing the lower knob (Fig. 25/2).
- With the transmitted light ON, turn this knob to adjust the illumination intensity.
- Change over by adjusting the lever (Fig. 25/3) between the bright field and the dark field illumination.
 - Front position: Dark field (DF)
 - Rear position: Bright field (BF)




Press the upper knob (Fig. 25/1) to blend in reflected light (see section 4.2 on page 28).

4.3.2 Transmitted-light unit in stand K LAB

- Switch transmitted-light illumination ON by pressing the lower knob (Fig. 26/1).
- With the transmitted light ON, turn this knob to adjust the illumination intensity.
- Adjust the bright field (BF) by pushing the sliding knob (Fig. 26/2) into its rear position (BF).
- Turn the sliding knob (Fig. 26/2) to swing the clear or diffuse mirror into position or to adjust the inclination angle.

 Clear mirror for high-contrast bright field, diffuse mirror for homogenous bright field.

- Change over to dark field illumination (DF) by pushing the sliding knob (Fig. 26/2) into its front position.
- Turn the mirror until the specimen structures are brightly lit against the dark background.

 By pushing the sliding knob (Fig. 26/2) into a central position and by tilting the mirror, oblique light effects (RC) are created which are very well suited to display non-coloured specimens.

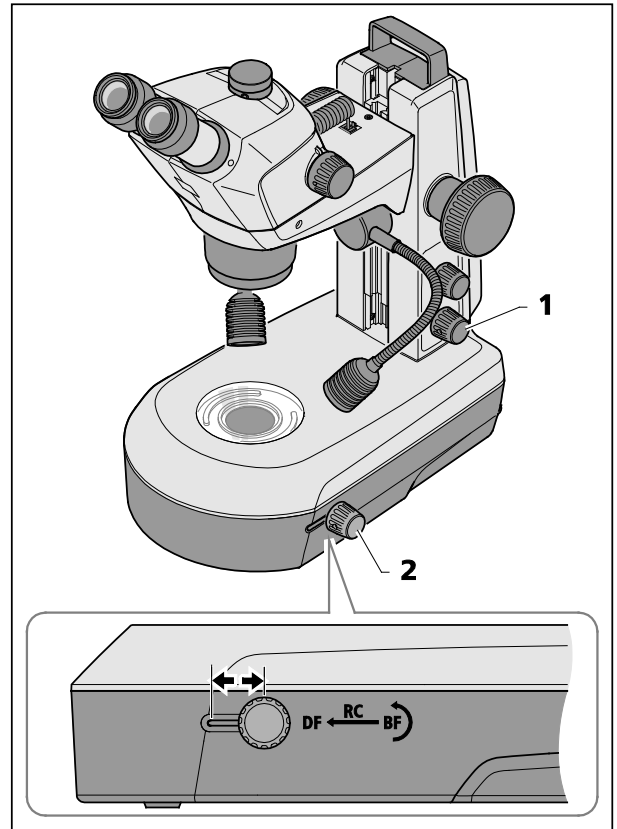


Fig. 26 Transmitted-light unit in stand K LAB

5 CARE, MAINTENANCE AND SERVICE

5.1 Care

Care of the devices is restricted to the following operations:



The devices are not equipped with special equipment protecting them from corrosive, potentially infectious, toxic and radioactive or other samples that may be hazardous to health. If you handle such samples, be sure to observe all legal requirements, in particular the relevant national accident prevention regulations.



- Remove contamination in accordance with the national accident prevention regulations.
- Disconnect the devices from the mains power after use. Protect the devices from dust and moisture by using a suitable cover (protective device cover).
- Never expose the devices to inadmissible climate conditions (high humidity and temperature).



Disconnect the devices from the mains power before cleaning. Make sure, that no cleaning fluids penetrate into the device.

Tenacious impurities on glass surfaces such as fingerprints and traces of grease, are best removed using a cotton wool bud wound around a round wooden stick and very little distilled water or non-aggressive solvent:

- Distilled water: Clean glass surface with the slightly moistened cotton wool bud from the center to the edge, using circular movements.
- Cleaning solution for optics, consisting of 15 % isopropanol and 85 % surgical spirit (gasoline): Clean glass surface by the slightly moistened cotton wool bud from the center to the edge, using circular movements.
- Remove dust from optical surfaces using a brush with natural bristles or blow using rubber bellows (air blower).
- Clean plastic parts using commercially available cleaning products (no solvents!). Tenacious impurities can be treated carefully with benzine or white spirit.
- All labels on the components and on the desktop power unit may only be cleaned using a dry cotton cloth.

5.2 Maintenance

5.2.1 Replacing the power unit



Only the desktop power unit specified by the manufacturer may be used.



Make sure that the mains plug is removed from the socket before the instrument is opened.

- Remove the mains plug of the power cable from the socket.
- Remove the power cable from the back of the device.
- Use an Allen key to release the screw (Fig. 27/1) on the underside of the housing cover.
- Pull off housing cover (Fig. 27/2) slightly at the bottom, then press it upwards.
- Release the plug (Fig. 27/3) and remove the faulty desktop power unit (Fig. 27/4).
- Insert the new desktop power unit and connect the plug.
- Press the upper part of the housing cover into place and push housing cover down.
- Secure housing cover by means of the screw.
- Insert the power cable on the back of the device.
- Insert the mains plug into a mains supply socket.

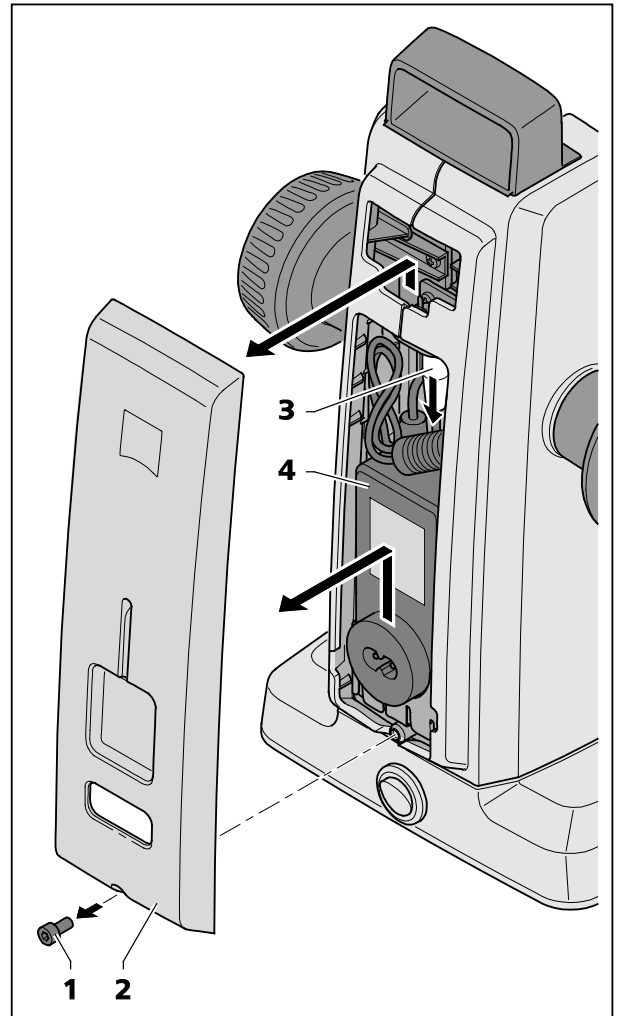


Fig. 27 Changing the power unit

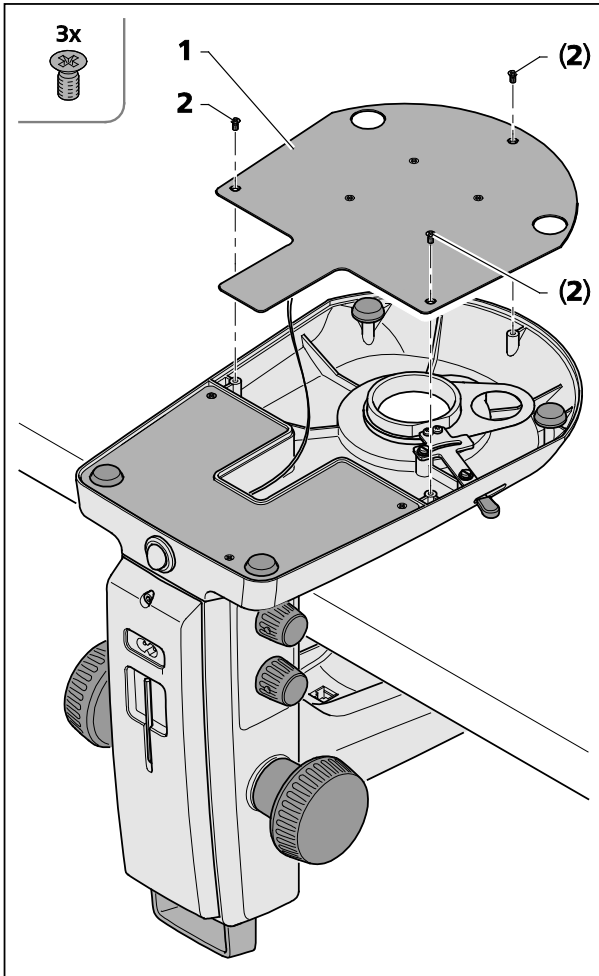


Fig. 28 Opening the stand cover plate,
stand K EDU

5.2.2 Opening the stand cover plate, stand K EDU

The stand cover plate (Fig. 28/1) may be removed for cleaning or to remove any foreign matter which might fall in inadvertently.

- To this effect, release the three recessed head screws (Fig. 28/2), lift off the stand cover plate (Fig. 28/1) carefully and then put it aside.
- Make sure that the cable is not disconnected from the stand cover plate (Fig. 28/1).





To clean the LED board, use a soft lintfree cloth, a cotton wool bud wound around a round wooden stick or a brush with natural bristles, possibly moistened slightly in distilled water.

5.2.3 Opening the stand cover plate, stand K LAB

The transmitted-light base (Fig. 29/1) can be removed from the stand cover plate (Fig. 29/3) for cleaning or for removal of any foreign matter which might have fallen in inadvertently.

- Release the three screws (Fig. 29/2) from the stand cover plate (Fig. 29/1) using an Allen key SW 2.5 and put them aside.
- Carefully lift the stand cover plate (Fig. 29/3) off the transmitted-light base (Fig. 29/1) and put the stand aside.

 Make sure that the cable (Fig. 29/4) is not disconnected from the transmitted-light base (Fig. 29/1).

 To clean the LED, the optical elements and the mirror, use a soft lintfree cloth, a cotton wool bud wound around a round wooden stick or a natural hair brush, possibly moistened slightly in distilled water.

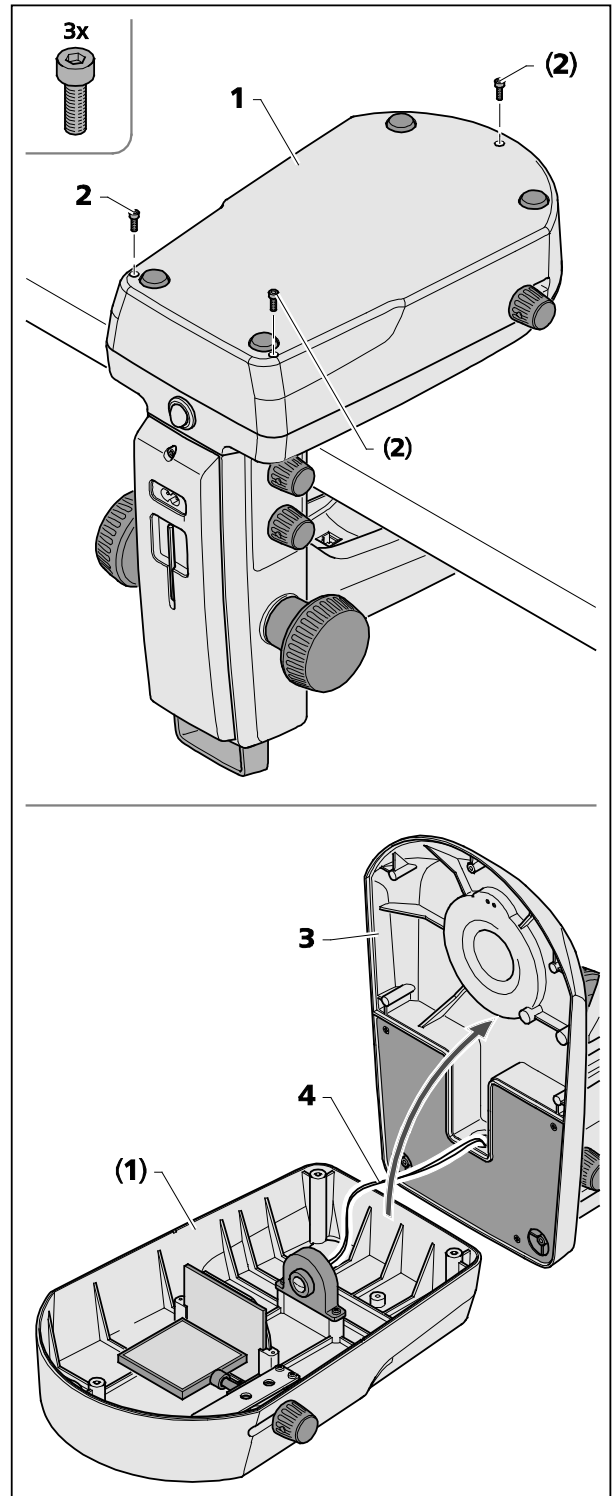


Fig. 29 Opening the stand cover plate,
stand K LAB

5.2.4 Wearing parts

The following wearing parts can be ordered directly from ZEISS:

Description	Order No.	Remark
Transparent glass plate, d = 84 mm	435425-9310-000	
Plastic plate B/W, d = 84 mm	435425-9320-000	
Eyepiece PL 16x/16 Br foc.	444054-9000-000	
Eyepiece cup	444801-0000-000	required 2x
Eyepiece 16x/14 Br foc.	435063-9160-000	
Eyepiece W 25x/10 foc.	455046-9901-000	
Stemi 305/508 Set of Miscellanea: <ul style="list-style-type: none"> - 1x Allen key, SW 3 - 2x spiral cable RJ 12 - 1x cable RJ 12, length 1m (for controller K LED) - 2x cover cap for eyepiece - 1x cover cap for zoom body Stemi 305 - 1x cover cap for c-mount - 2x rubber ring for eyepiece (protection for spectacles) - 1x M6 screw for microscope mount of stands K/M - 2x M6 screw for c-mount - 1x M4x8 screw for rear panel of stands K/M 	000000-0577-092	
Protective dust cover, stand K	415500-1800-000	

5.3 Service

All interventions in mechanical, optical and electronic internal stereo microscope components may only be performed by Carl Zeiss Service or by specifically **authorized** qualified staff.

To ensure your stereo microscope is optimally set and also operates correctly over an extended period of time, we recommend that you conclude a service/maintenance contract with ZEISS.

For reordering or in case of service, contact your nearest regional ZEISS representative.

5.4 Product disposal

The product was developed, tested and produced in accordance with the valid regulations and guidelines for environmental law of the European Union.

The product and its accessories comply with the EU-regulations 2011/65/EU (RoHS) and 2012/19/EU (WEEE), and the German Electrical and Electronic Equipment Act (ElektroG).

The product contains electronic components which must be disposed of according to the requirements of the 2002/19/EU WEEE Directive and not as domestic waste. In addition, the national regulations must be complied with.

For details on disposal and recycling please refer to your relevant ZEISS sales or service organization.

6 APPENDIX**6.1 List of abbreviations**

BF	Bright field
B/W	Black/white
DIN	Deutsche Industrie-Norm (German Industrial Standard)
DF	Dark field
EN	Europäische Norm (European Standard)
ESD	Electrostatic discharge
IEC	International Electrotechnical Commission
IP	Internal Protection (Type of enclosure)
IvD	In-vitro diagnostics
LED	Light Emitting Diode
RC	Relief contrast (oblique light)
UV	Ultra-violet

6.2 Troubleshooting

Description of fault	Cause of error	Troubleshooting
Stereo microscope illumination cannot be switched ON.	Power supply interrupted. Power switch not switched ON	Check or establish connection to power supply. Switch power switch on back of stereo microscope ON.
	Power unit faulty.	Replacing the power unit, see section 5.2 on page 35
Vertical reflected-light illumination is not lit.	Power supply cable RJ-12 not plugged in.	Insert RJ plug correctly, see section 3.2 or 3.3 on pages 21 and 23
Additional reflected-light illuminators are not lit.	Power supply cable RJ-12 not plugged in. Reflected light not switched ON or dimmed.	Insert RJ plug correctly, see section 3.2 or 3.3 on pages 21 and 23 Press and turn knob Fig. 20/1 several times to switch reflected light ON and to increase its intensity; see section 4.2 on page 28
Transmitted-light illuminator does not light up	Transmitted light not switched ON or dimmed.	Press and turn rotary / push-button Fig. 25/2 to switch illumination ON and to increase its intensity; see section 4.3 on page 32
	Transmitted light not connected.	Open stand K EDU or K LAB and connect the plug-in connectors of the LED illumination according to section 5.2.3 on page 37
Transmitted-light illuminator dirty or control lever cannot be actuated.	Liquids or foreign matter in the transmitted-light unit.	Open and clean stand K EDU or K LAB and eliminate foreign matter according to section 5.2.3 on page 37
Microscope mount moves down by itself.	Focusing drive too easy to move.	Set ease of motion of the focusing drive, see section 3.2 on page 21

Should any other faults occur or should you have queries regarding troubleshooting, please contact your regional ZEISS representative.

6.3 List of illustrations

Fig. 1	Warning and information labels on the device	7
Fig. 2	Warning labels and apertures for LED radiation.....	7
Fig. 3	Microscope system Stemi 305	9
Fig. 4	Stemi 305 EDU microscope set	10
Fig. 5	Stemi 305 LAB microscope set.....	10
Fig. 6	Stemi 305 MAT microscope set	10
Fig. 7	Interfaces on the Stemi 305 with stand K LED (schematic diagram).....	11
Fig. 8	Front optics, Stemi 305 (example).....	11
Fig. 9	Removing caps	21
Fig. 10	Installing the stereo microscope.....	22
Fig. 11	Setting the ease of motion of the focusing drive	22
Fig. 12	Mounting spot illuminator.....	23
Fig. 13	Mounting ring illuminator on microscope body.....	24
Fig. 14	Mounting ring illuminator to front optics 3	24
Fig. 15	Mounting external fiber-optic illumination	25
Fig. 16	Inserting the eyepiece plate	25
Fig. 17	Connecting the stereo microscope.....	26
Fig. 18	Adjusting the stereo microscope.....	27
Fig. 19	Adjusting the eyepieces.....	27
Fig. 20	Setting the vertical illuminator	28
Fig. 21	Setting the spot illuminator	29
Fig. 22	Double spot illuminator.....	29
Fig. 23	Ring illuminator	30
Fig. 24	Controller K LED	31
Fig. 25	Transmitted-light module in stand K EDU.....	32
Fig. 26	Transmitted-light unit in stand K LAB.....	33
Fig. 27	Changing the power unit.....	35
Fig. 28	Opening the stand cover plate, stand K EDU.....	36
Fig. 29	Opening the stand cover plate, stand K LAB	37

6.4 Index**A**

Adjusting the stereo microscope.....	27
Ambient Conditions.....	19
Ambient temperature.....	19
Apertures for LED radiation	7

B

Bright field.....	32
-------------------	----

C

Care	34
Compensation of visual defect	27
Connecting.....	26
Contents	1
Controller K LED	31

D

Dark field.....	32
Description	9
Dimensions.....	18
Diopter compensation.....	27
Double spot illuminator.....	23

E

Ease of motion of the focusing drive.....	22
Eyepiece	27
Eyepiece cup.....	25
Eyepiece plate.....	25

F

Fiber-optic illumination.....	25
Front optics 3	24

I

Illumination intensity	29, 30
Illumination state of the ring illuminator	30
Index.....	43
Indication for use	9
Information labels	7
Information, general	3, 21
Installation.....	21
Instrument safety	4
Interfaces.....	11
Introduction.....	3

L

LED class.....	4
----------------	---

M

Maintenance	35
Microscope system	9
Mixed light.....	28

O

Operation.....	27
----------------	----

P

Product disposal	39
Protection ring for spectacles	25

R

Reflected-light illumination	23
Ring illuminator	24

S

Safety.....	4
Service	38
Setting	
Reflected-light illumination	28
Stereo microscope.....	27
Transmitted-light illumination	32
Setting reflected-light illumination.....	28
Setting transmitted-light illumination.....	32
Spot illuminator	23
Switching OFF	26
Switching ON	26
Swivel arm stand	31
System overview.....	12

T

Technical data	18
Transmitted-light module in stand K EDU	32
Transmitted-light unit in stand K LAB	33
Troubleshooting	41

U

Use	9
-----------	---

V

Vertical illumination	28
-----------------------------	----

W

Warning labels	7
Warranty notes.....	8
Wearing parts.....	38
Weight.....	18

INHALT


	Seite
1	EINLEITUNG..... 3
1.1	Allgemeine Hinweise 3
1.2	Hinweise zur Gerätesicherheit..... 4
1.3	Garantiehinweise 8
2	BESCHREIBUNG..... 9
2.1	Bestimmungsgemäße Verwendung..... 9
2.2	Mikroskopsystem 9
2.3	Mikroskop-Sets und Anwendungsbereiche..... 10
2.4	Schnittstellen am Stereomikroskop Stemi 305 11
2.5	Systemübersicht 12
2.6	Technische Daten..... 18
3	AUFBAU 21
3.1	Allgemeine Hinweise 21
3.2	Stereomikroskop aufstellen..... 21
3.3	Optionale Komponenten montieren..... 23
3.3.1	Zusätzliche Auflichtbeleuchtung montieren 23
3.4	Stereomikroskop an das Netz anschließen..... 26
3.5	Stereomikroskop einschalten oder ausschalten 26
4	BEDIENUNG..... 27
4.1	Stereomikroskop einstellen 27
4.2	Auflichtbeleuchtung einstellen..... 28
4.2.1	Integrierte Vertikalbeleuchtung..... 28
4.2.2	Spot-Leuchte..... 29
4.2.3	Doppelspot-Leuchte 29
4.2.4	Ringleuchte..... 30
4.2.5	Controller K LED 31
4.3	Durchlichtbeleuchtungen..... 32
4.3.1	Durchlichtmodul im Stativ K EDU..... 32
4.3.2	Durchlichteinheit im Stativ K LAB 33
5	PFLEGE, WARTUNG UND SERVICE 34
5.1	Pflege 34
5.2	Wartung 35
5.2.1	Netzteil wechseln 35
5.2.2	Stativabdeckplatte vom Stativ K EDU öffnen..... 36
5.2.3	Stativabdeckplatte vom Stativ K LAB öffnen 37
5.2.4	Verschleißteile..... 38
5.3	Service 38
5.4	Produktentsorgung 39

6	ANHANG	40
6.1	Abkürzungsverzeichnis	40
6.2	Fehlersuche	41
6.3	Abbildungsverzeichnis	42
6.4	Stichwortverzeichnis	43

1 EINLEITUNG

1.1 Allgemeine Hinweise

Das Stereomikroskop Stemi 305 wurde entsprechend der Norm DIN EN 61010-1 (IEC 61010-1) und IEC 61010-2-101 "Sicherheitsbestimmungen für elektrische Mess-, Steuer-, Regel- und Laborgeräte", konstruiert, gefertigt und geprüft.

Das Gerät erfüllt die Anforderungen der EG-Richtlinie 98/79/EG für IvD-Produkte, EG-RoHS-Richtlinie 2011/65/EU und ist mit dem  - Zeichen gekennzeichnet.

Die vorliegende Bedienungsanleitung enthält Informationen und Warnungen, die vom Betreiber zu befolgen sind.

Die Geräte werden gemäß der WEEE-Richtlinie 2012/19/EU entsorgt.

Nachfolgend erläuterte Warn- und Hinweissymbole werden in dieser Bedienungsanleitung verwendet:



VORSICHT

Dieses Symbol kennzeichnet eine Gefahr, die für den Benutzer entstehen kann.



VORSICHT

LED Risikogruppe 2 nach DIN EN 62471:2009 Optische Strahlung wird emittiert. Nicht in den Strahl sehen. Es kann gefährlich für die Augen sein.



VORSICHT: Energiereiche UV-Strahlung!

Gefahr der Beschädigung von Augen und Haut!



VORSICHT

Heiße Oberfläche!



VORSICHT

Vor Eingriff in das Gerät Netzstecker ziehen!



ACHTUNG

Dieses Symbol kennzeichnet eine Gefahr, die für das Gerät oder Gerätesystem entstehen kann.



HINWEIS

Dieses Symbol kennzeichnet einen Hinweis, der besonders zu beachten ist.

1.2 Hinweise zur Gerätesicherheit



Wird festgestellt, dass Schutzmaßnahmen nicht mehr wirken, so ist das Gerät außer Betrieb zu setzen und gegen unbeabsichtigte Benutzung zu sichern. Zur Wiederinstandsetzung des Gerätes ist Verbindung mit dem ZEISS-Kundendienst bzw. dem Carl Zeiss Mikroskopie-Service aufzunehmen.

Es sind auch die Stemi 305 Hinweise zur Gerätesicherheit und Aufstellbedingungen 435063-6044-008 und Stemi 305 Kurzbedienungsanleitung 435063-8044-008 und die Bedienungsanleitungen der Lichtquellen zu beachten.



Die im Lieferumfang enthaltenen Geräte nicht in explosionsgefährdeten Bereichen, in Gegenwart von flüchtigen Narkosemitteln oder brennbaren Lösungsmitteln wie Alkohol, Benzin oder ähnlichem betreiben.



Die Geräte dürfen nur von eingewiesenen Personen bedient werden. Diese müssen über die möglichen Gefahren im Zusammenhang mit dem Mikroskopieren und dem jeweiligen Anwendungsgebiet unterrichtet sein. Das Mikroskop ist ein Präzisionsinstrument, das im Falle eines unsachgemäßen Eingriffes in seiner Funktionsfähigkeit beeinträchtigt oder zerstört werden kann.



Vor der Inbetriebnahme des Gerätes ist zu prüfen, ob die vorhandene Netzspannung für dieses Gerät geeignet ist.



Vor Öffnen des Gerätes ist stets der Netzstecker aus der Steckdose zu ziehen!



Die Geräte sind mit keinen besonderen Vorrichtungen zum Schutz vor ätzenden, potentiell infektiösen, toxischen, radioaktiven oder sonstigen die Gesundheit beeinträchtigenden Proben ausgestattet. Alle gesetzlichen Erfordernisse, insbesondere nationale Vorschriften zur Unfallverhütung, sind im Umgang mit solchen Proben zu beachten.



Die LED-Auflicht- sowie LED-Durchlichtbeleuchtungen sind eingestuft in die LED Risikogruppe 2 nach DIN EN 62471:2009. Das direkte Hineinschauen in das LED-Licht ist zu vermeiden.



Wird das Gerät mit einer externen Kaltlichtquelle (energiereiches Licht) betrieben, darf niemals direkt in den Lichtleiterausgang der Kaltlichtquelle geblickt werden. Es besteht ansonsten Blend- und Erblindungsgefahr.



Offene Lichtleiteraufnahme oder den Lichtleiterausgang niemals abdecken. Es besteht Brandgefahr!

In jedem Fall eine Abdeckung der offenen Lichtleiteraufnahme oder des Lichtleiterausgangs mit der Hand oder anderen Körperteilen vermeiden. Es besteht Verbrennungsgefahr!



Eine sichere Trennung vom Stromversorgungsnetz ist ausschließlich durch Ziehen des Netzsteckers gewährleistet. Der Schalter am Mikroskop schaltet nur in den Standby-Betrieb.



Abnehmbare Netzkabel dürfen nicht durch unzulänglich bemessene Netzkabel ersetzt werden. Es dürfen nur die vorgeschriebenen Netzleitungen verwendet werden.



Das Mikroskop und der Controller K LED sind jeweils mit einem Tischnetzteil ausgerüstet, das die Verwendung von Netzspannungen im Bereich 100 V bis 240 V ± 10 %, 50 – 60 Hz, ohne zusätzliche Spannungsumstellung am Gerät gestattet.



Das Tischnetzteil ist in Schutzklasse II (schutzisoliert) ausgeführt. Bei Beschädigung des Gehäuses ist das Netzteil außer Betrieb zu nehmen. Das Mikroskop darf nur mit dem mitgelieferten Tischnetzteil betrieben werden.



Das Wechseln der Lampen an der Kaltlichtquelle ist entsprechend der Bedienungsanleitung des Herstellers durchzuführen. Bei Nichtbeachtung der diesbezüglichen Hinweise besteht beim Lampenwechsel Verbrennungs- und Explosionsgefahr.



Defekte Geräte gehören nicht in den Hausmüll; sie sind entsprechend den gesetzlichen Bestimmungen zu entsorgen.



Proben sind ebenfalls entsprechend den geltenden gesetzlichen Bestimmungen und internen Arbeitsanweisungen fachgerecht zu entsorgen.



Das Stereomikroskop Stemi 305 inklusive Originalzubehör darf nur für die in dieser Bedienungsanleitung beschriebenen Anwendungen benutzt werden. Für jegliche andere Anwendung, evtl. auch einzelner Baugruppen oder Einzelteile, kann vom Hersteller keine Haftung übernommen werden.


Änderungen und Instandsetzungen an diesem Gerät und an Geräten, die zusammen mit dem Mikroskop betrieben werden, dürfen nur von unserem Service oder von autorisierten Personen durchgeführt werden. Für Schäden, die durch unautorisierte Eingriffe in das Gerät entstehen, haftet der Gerätehersteller nicht. Außerdem erlöschen hierdurch sämtliche Garantie- / Gewährleistungsansprüche.





Schmutz und Staub können das Gerät in seiner Funktionstüchtigkeit beeinträchtigen. Das Gerät ist daher weitgehend vor solchen Einflüssen zu schützen und bei Nichtbenutzung mit der Staubschutzhülle abzudecken. Vor Abdecken des Gerätes ist immer zu prüfen, ob es auch ausgeschaltet ist. Größere Temperaturschwankungen, direkt einfallendes Sonnenlicht und Erschütterungen sind zu vermeiden.





Das Zusetzen oder Abdecken von Lüftungsschlitzen kann zu einem Wärmestau führen, der das Gerät beschädigen und im Extremfall einen Brand auslösen kann. Lüftungsschlitze stets freigehalten und keine Gegenstände hineinstecken oder hineinfallen lassen. Sämtliche elektrische Komponenten und Bauteile sind mindestens 15 cm entfernt von brennbaren Gegenständen und Wänden aufzustellen.


 Bei Verwendung eines Stemi 305 cam vor Inbetriebnahme die zugehörige Bedienungsanleitung inklusive der enthaltenen Sicherheitshinweise beachten.

 Soll das Stemi 305 mit einer externen faseroptischen Kaltlichtquelle betrieben werden, so ist vor Inbetriebnahme der Lichtquelle die zugehörige Bedienungsanleitung inklusive der enthaltenen Sicherheitshinweise zu beachten.

 Das Tischnetzteil nicht mit Feuchtigkeit in Berührung bringen.

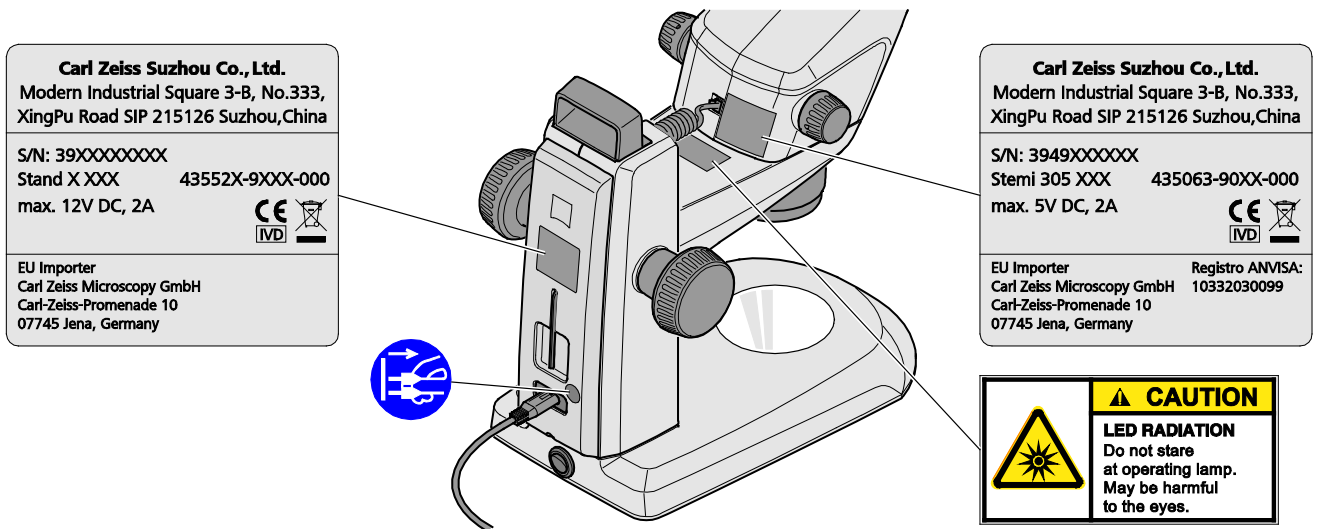
 Für den Transport über längere Strecken muss das Gerät teilweise demontiert und in der Originalverpackung transportiert werden.

 Das Gerät über längere Strecken in der Originalverpackung oder im Transportkoffer Stemi 305/508 transportieren.

 Zum Anschluss der LED-Beleuchtungen des Stemi 305 Systems werden sechspolige Modularstecker verwendet, die auch aus dem Telekommunikationsbereich bekannt sind (Typ: RJ-12).

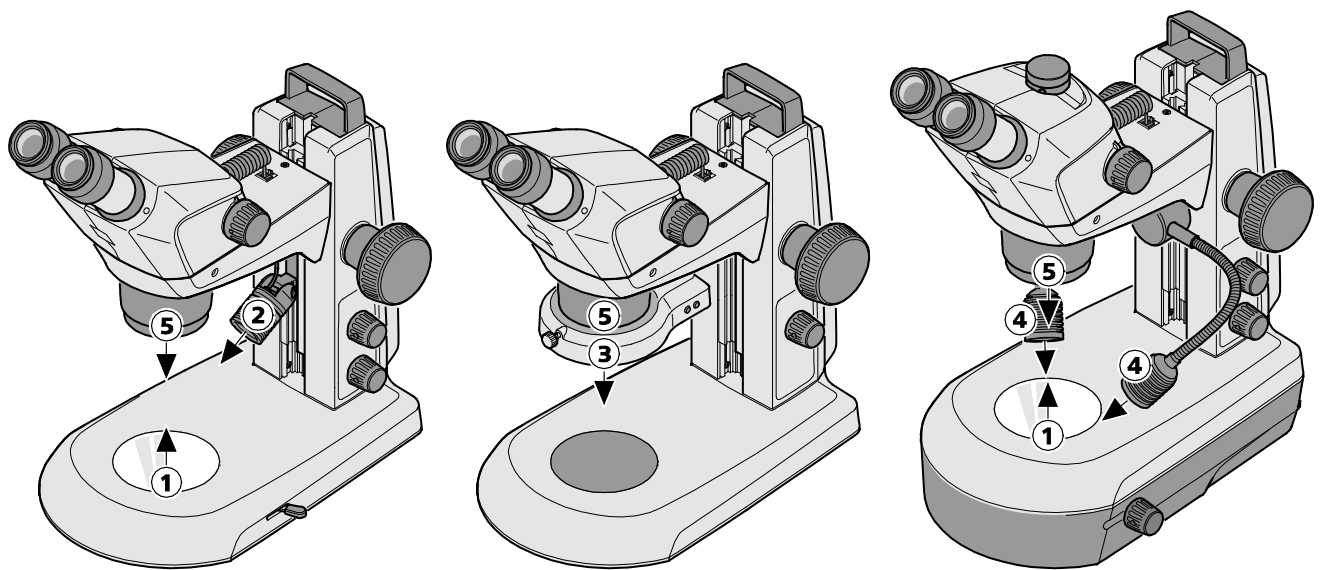
An die RJ-12-Buchsen im Mikroskopkörper und in den Stativen des Stemi 305 dürfen ausschließlich die zum Stemi 305 gehörigen LED-Beleuchtungen angeschlossen werden. Es dürfen nur die mitgelieferten Anschlusskabel verwendet werden.

Die Verwendung handelsüblicher Kabel mit RJ-12-Steckern oder Anschluss von Faxgeräten, Modems oder anderen Telekommunikationsgeräten an die RJ-12-Buchsen des Stemi 305 ist nicht gestattet.



Deutsch

Bild 1 Warn- und Hinweisschilder am Gerät



- 1 LED-Austrittsöffnung Durchlichtbeleuchtungen
- 2 LED-Austrittsöffnung Spot-Leuchte K LED
- 3 LED-Austrittsöffnung Ringleuchte K LED segmentierbar
- 4 LED-Austrittsöffnung Doppelspot-Leuchte K LED
- 5 LED-Austrittsöffnung integrierte Vertikalbeleuchtung

Bild 2 Warnschilder und Austrittsöffnungen für LED Strahlung

1.3 Garantiehinweise

Der Gerätehersteller leistet Garantie dafür, dass das Gerät bei Übergabe frei von Material- und Fertigungsfehlern ist. Aufgetretene Mängel sind unverzüglich anzuzeigen und es ist alles zu tun, um den Schaden gering zu halten. Wird ein solcher Mangel gemeldet, so ist der Gerätehersteller verpflichtet, den Mangel nach seiner Wahl durch Reparatur oder Lieferung eines mangelfreien Gerätes zu beheben. Für Mängel infolge natürlicher Abnutzung (insbesondere bei Verschleißteilen) sowie unsachgemäßer Behandlung wird keine Gewähr geleistet.

Der Gerätehersteller haftet nicht für Schäden, die durch Fehlbedienung, Fahrlässigkeit oder sonstige Eingriffe am Gerät entstehen, insbesondere durch das Entfernen oder Auswechseln von Geräteteilen oder das Verwenden von Zubehör anderer Hersteller. Hierdurch erlöschen sämtliche Garantieansprüche.

Mit Ausnahme der in dieser Bedienungsanleitung aufgeführten Tätigkeiten dürfen keine Wartungs- oder Reparaturarbeiten an den Mikroskopen ausgeführt werden. Reparaturen sind nur dem ZEISS-Kundendienst oder durch diesen speziell autorisierten Personen gestattet. Sollten Störungen am Gerät auftreten, wenden Sie sich bitte zuerst an den Carl Zeiss Mikroskopie-Service bzw. an die für Sie zuständige ZEISS-Vertretung im Ausland.

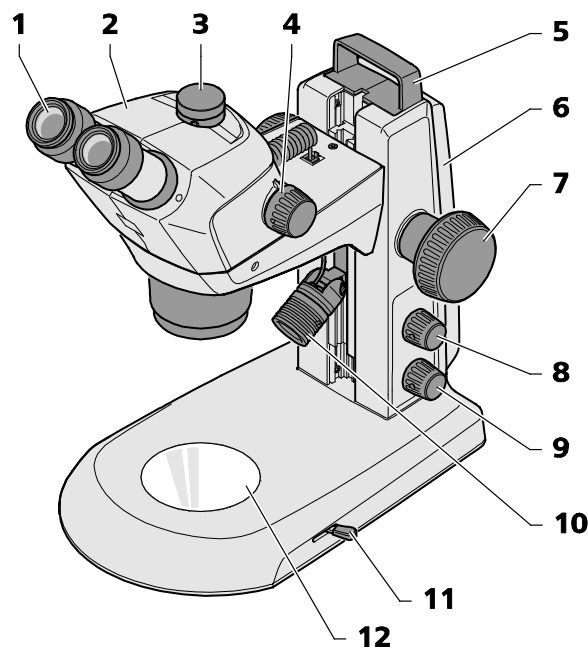
2 BESCHREIBUNG

2.1 Bestimmungsgemäße Verwendung

Die Stereomikroskope Stemi 305 sind Mikroskope zur vergrößernden, räumlichen Betrachtung kleiner Objekte. Sie wurden zur Ausbildung an Schulen, Hochschulen und naturwissenschaftlichen Einrichtungen konzipiert und gebaut. Außerdem kommen sie in biologischen und medizinischen Laboren und in der industriellen Fertigung und Qualitätssicherung zum Einsatz.

Stemi 305 ist für Applikationen in der Biologie und in der Medizin zur Untersuchung von Blut und/oder Gewebeproben aus dem menschlichen Körper vorgesehen. Anwendungen im Bereich der diagnostischen Medizin sind ausdrücklich ausgeschlossen, ausgenommen ist der Bereich der medizinischen Forschung.

2.2 Mikroskopsystem



- | | | | |
|---|------------------------------------------------------------------|----|-------------------------------------------------------------------------------------------------------------------------------------------------|
| 1 | Okular im Okularstutzen (Okular 10x/23) | 8 | Druck-/Drehknopf zum Ein- und Ausschalten der Beleuchtungen bzw. der zusätzlichen Auflichtbeleuchtung und Einstellen der Beleuchtungsintensität |
| 2 | Mikroskopkörper (trinokular) mit eingebauter Vertikalbeleuchtung | 9 | Druck-/Drehknopf zum Ein- und Ausschalten der Durchlichtbeleuchtung und zum Einstellen der Beleuchtungsintensität |
| 3 | Schnittstelle für Kameras mit C-Mount-Anschluss | 10 | Auflichtbeleuchtung (Spot-Leuchte K LED) |
| 4 | Zoomknopf zum Einstellen der Vergrößerung | 11 | Hebel zur Einstellung der Durchlichtbeleuchtung – Hellfeld oder Dunkelfeld am Stativ K EDU |
| 5 | Tragegriff | 12 | Einlegeplatte zur Objektauflage |
| 6 | Stativ (Ausführung K EDU) | | |
| 7 | Fokussiertrieb zum Scharfstellen des Objektes | | |

Bild 3 Mikroskopsystem Stemi 305



Die hier dargestellte Mikroskopausrüstung ist ein Beispiel und kann von den jeweils vorhandenen abweichen!

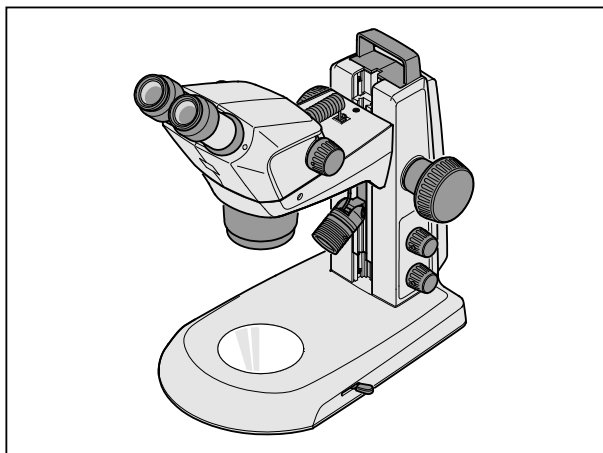


Bild 4 Stemi 305 EDU Mikroskop-Set

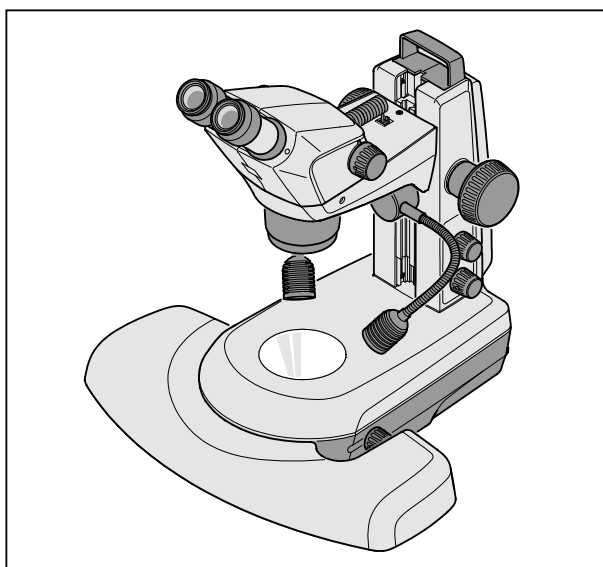


Bild 5 Stemi 305 LAB Mikroskop-Set

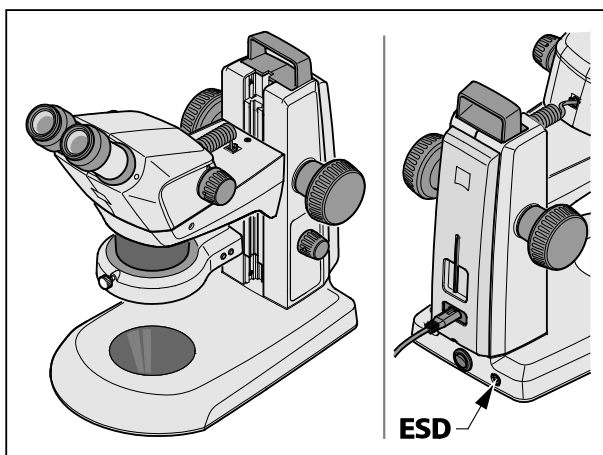


Bild 6 Stemi 305 MAT Mikroskop-Set

2.3 Mikroskop-Sets und Anwendungsbereiche

Stemi 305 EDU:

- Stemi 305 Körper im Stativ K EDU
- integrierte, regelbare Vertikalbeleuchtung
- höhen- und winkelverstellbare Auflicht-Spot-Leuchte, zoombar
- flache Durchlichteinheit für Hell- und Dunkelfeld
- für Ausbildung in Kursräumen und Bildungseinrichtungen

Stemi 305 LAB:

- Stemi 305 Körper im Stativ K LAB
- integrierte, regelbare Vertikalbeleuchtung
- höhen- und winkelverstellbare Doppel-Spot-Leuchte
- Durchlichtmodul für Hell- und Dunkelfeld und Reliefkontrast
- Handauflage (optional)
- zum Separieren und Dokumentieren im Labor

Stemi 305 MAT:

- Stemi 305 ESD Körper im Stativ K MAT
- integrierte, regelbare Vertikalbeleuchtung
- segmentierbare Ringleuchte für Auflicht
- für industrielle Qualitätssicherung und Fertigung
- ESD-tauglich durch antistatische Oberfläche

2.4 Schnittstellen am Stereomikroskop Stemi 305

- 1 Optionale Aufnahme für Okularplatten
Ø 26 mm
- 2 Okularstutzen Ø 30 mm zum Wechsel der Okulare
- 3 integrierter Kameraadapter 0,5x mit C-Mount-Anschluss für Kameras bis 2/3" (nur für Stemi 305 trino)
- 4 Innengewinde M52x1,0 zur Aufnahme von Vorsatzoptiken und weiterem Zubehör
- 5 Aufnahme Ø 66 mm für Ringleuchten
- 6 Aufnahme Ø 76 mm für Mikroskopkörper
- 7 Aufnahme Ø 84 mm für Tische, Einlegeplatten
- 8 Führung zur Montage einer Auflicht-Spotbeleuchtung
- 9 M8-Gewinde zur Montage von Haltearmen (nur Stativ K)

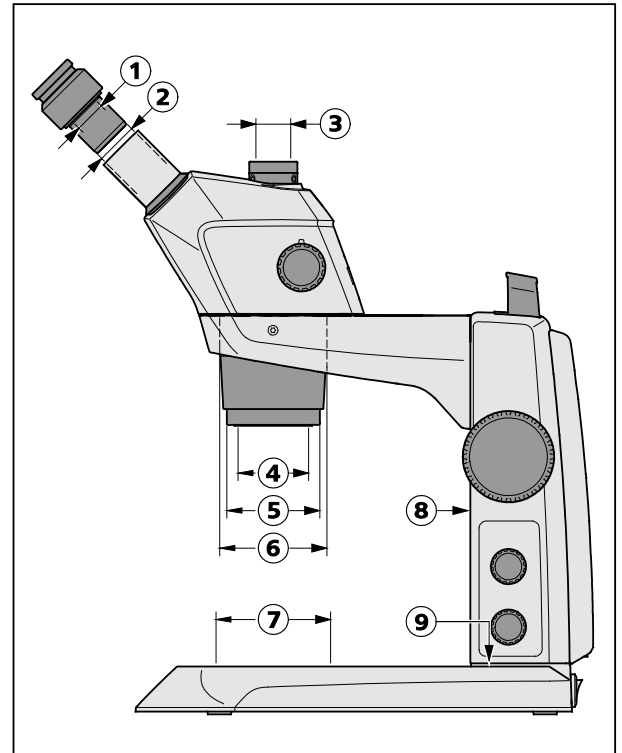


Bild 7 Schnittstellen am Stemi 305 mit Stativ K LED (schematisch)

Durch die Schnittstelle Ø 76 mm ist das Stemi 305 auch an anderen Stativen des Systembaukastens Stereo verwendbar – und andere ZEISS-Stereomikroskope, wie z. B. das Stemi 508, können auch in die Stative K eingesetzt werden.

Vorsatzoptiken Stemi 305

- Außengewinde M52x1,0 zum Einschrauben in den Zoomkörper Stemi 305
- Innengewinde M49x0,75 zur Aufnahme optischer Filter und Analysator für Pol.

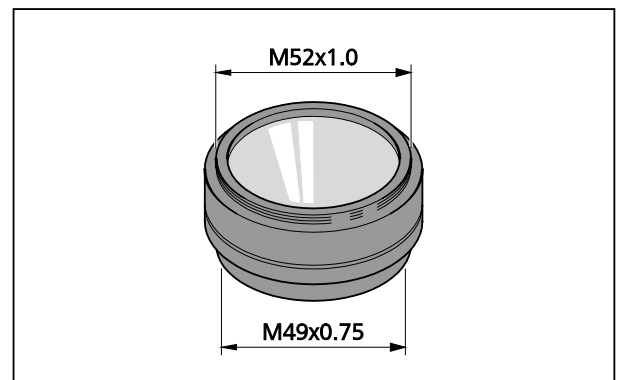
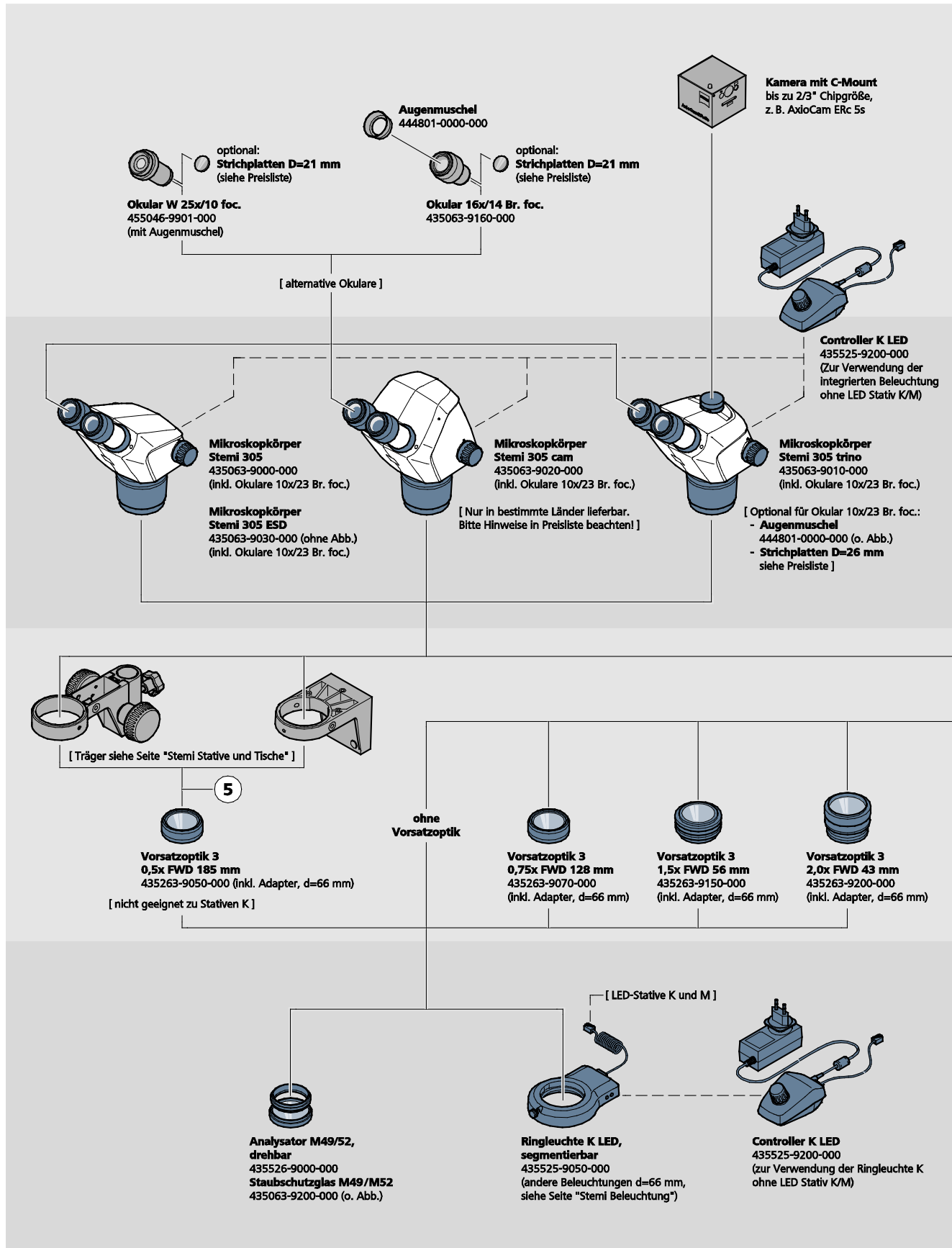
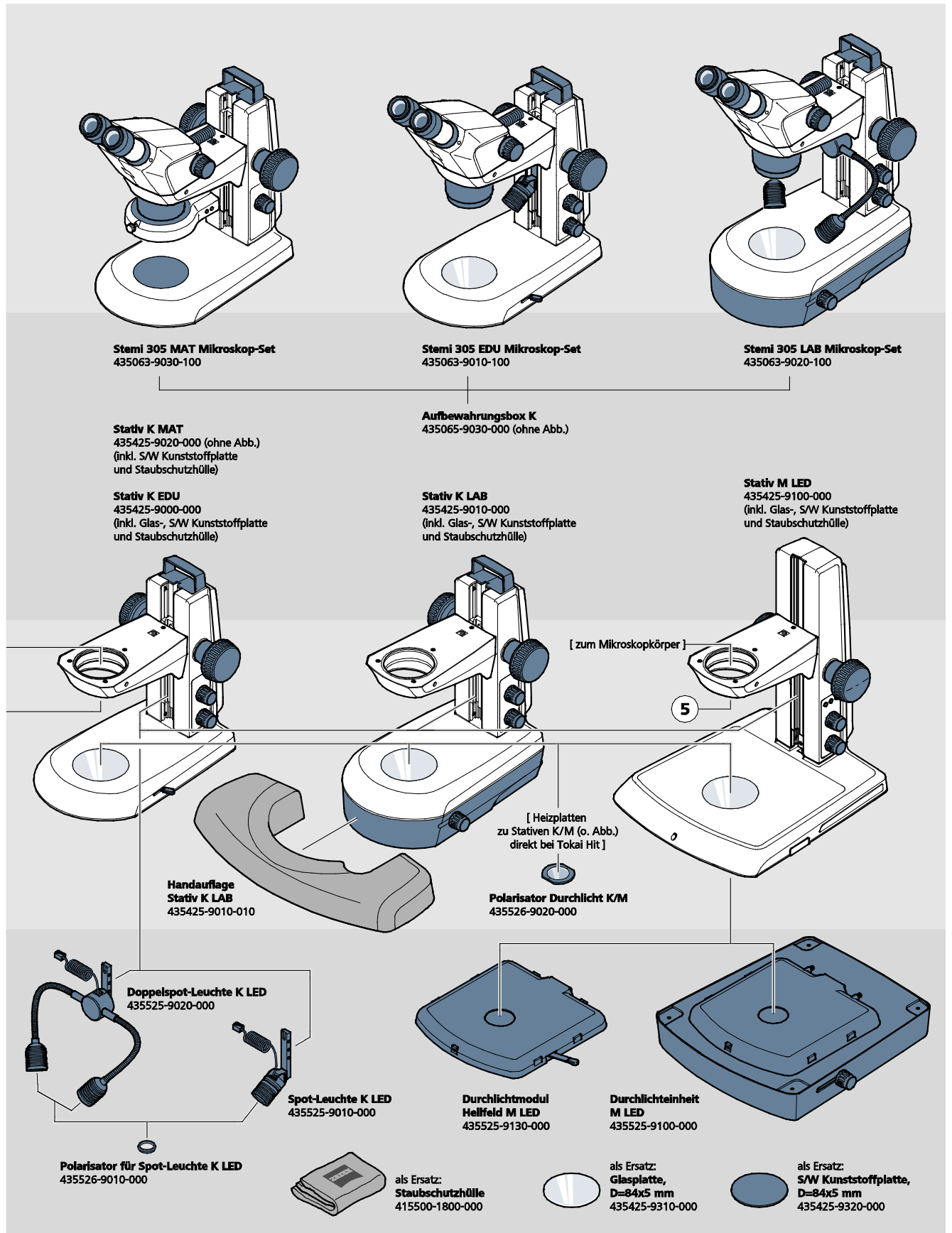


Bild 8 Vorsatzoptiken Stemi 305 (Beispiel)

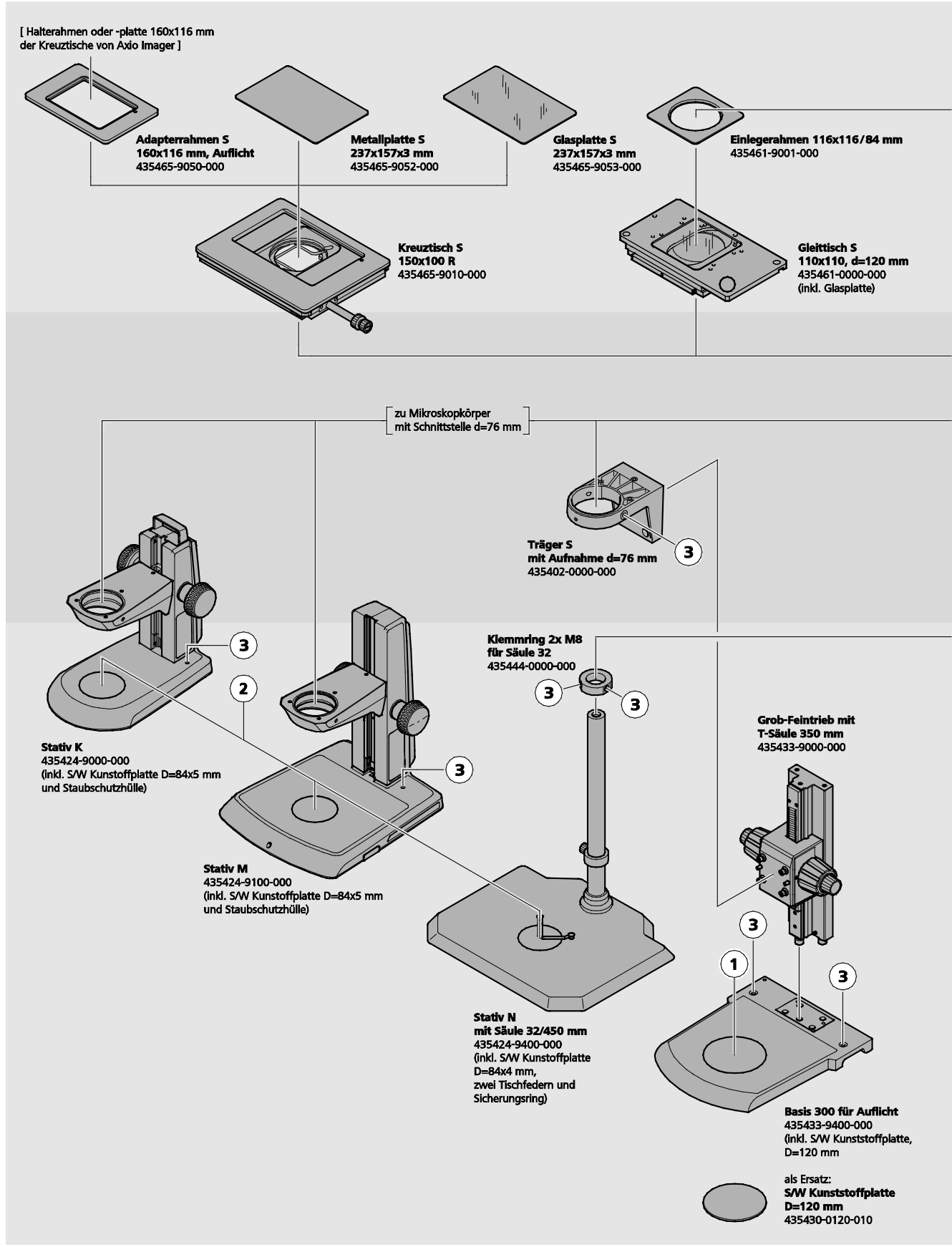
2.5 Systemübersicht

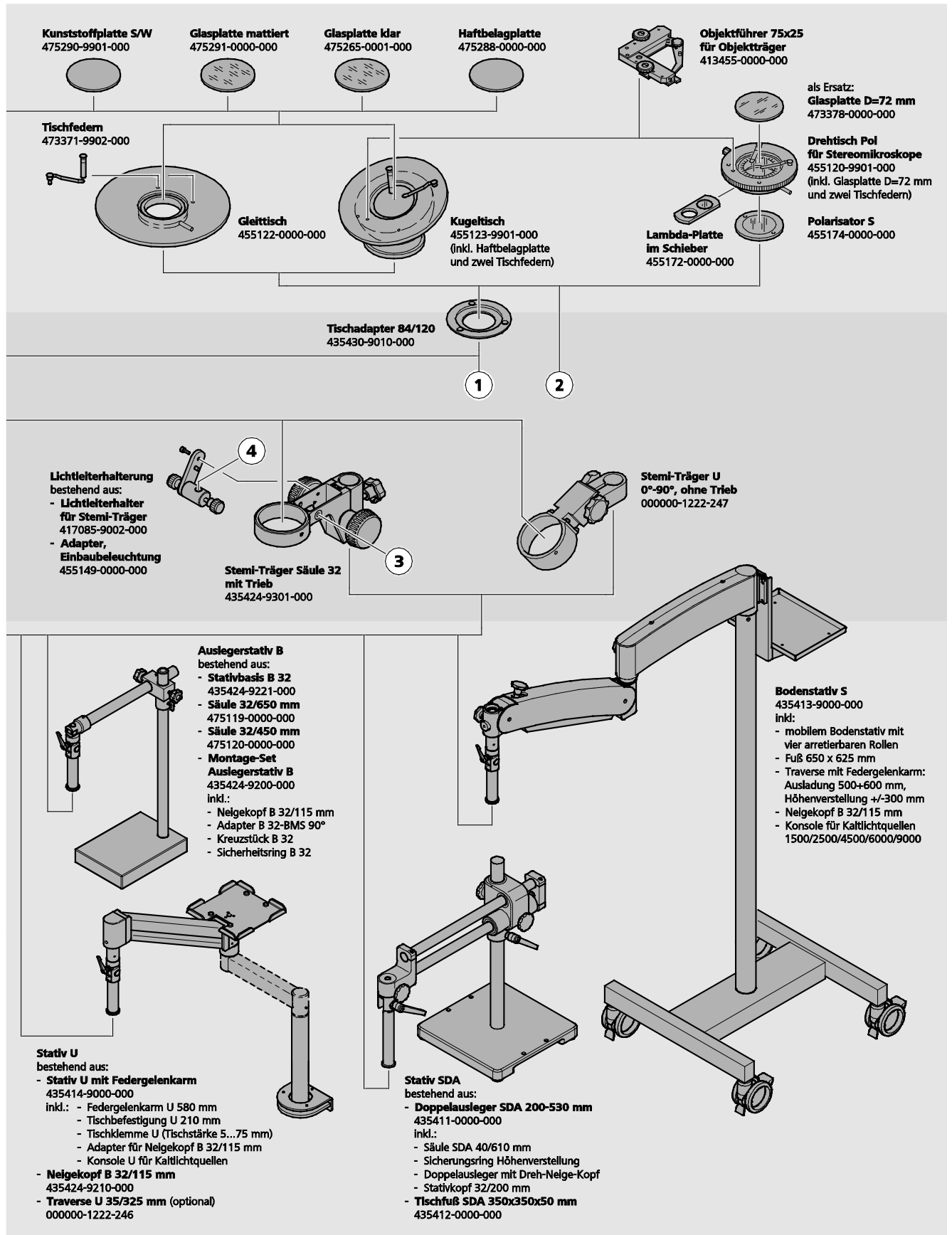
Deutsch



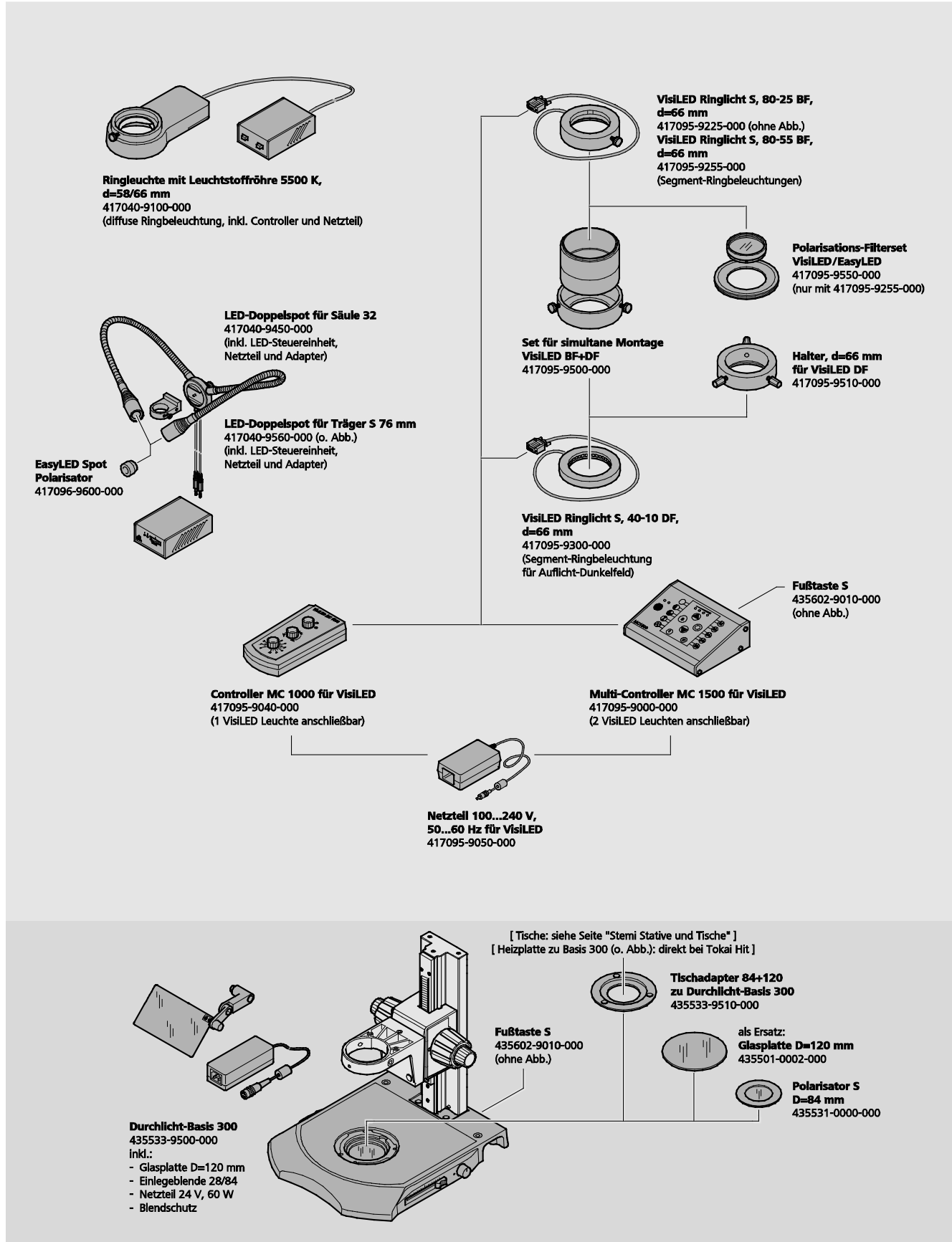


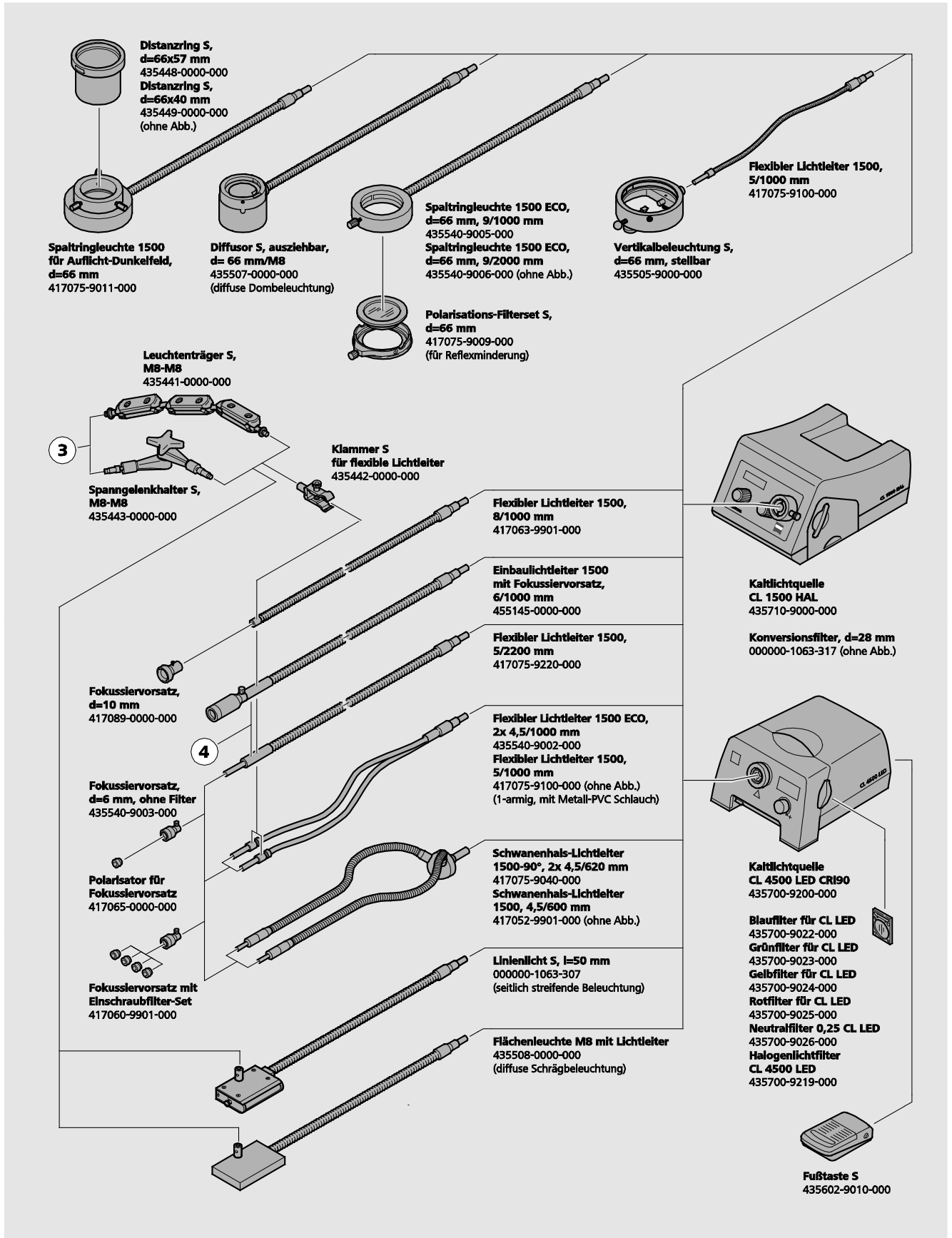
Deutsch





Deutsch

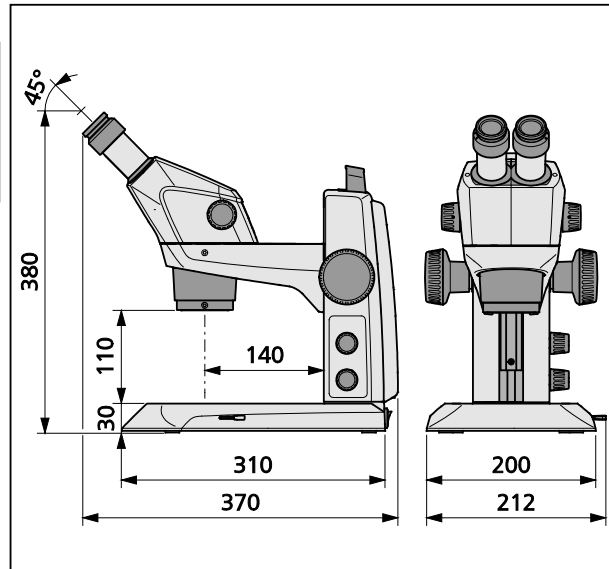




2.6 Technische Daten

Mikroskopsystem Stemi 305 EDU

Abmessungen

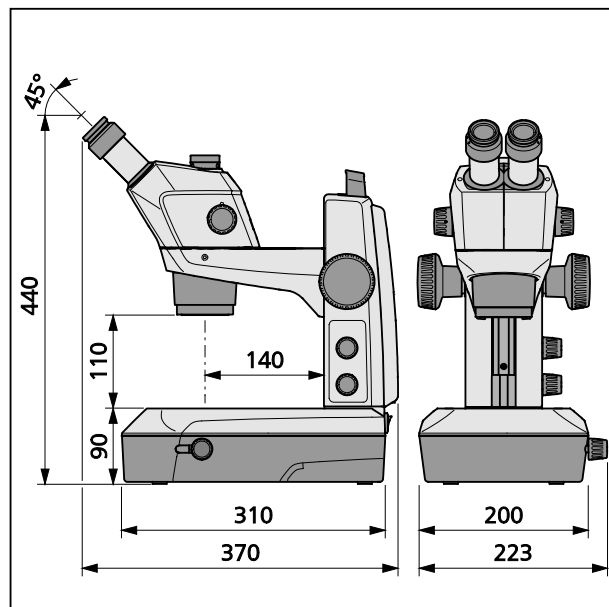


Masse

Stemi 305 im Stativ K EDU 4,6 kg

Mikroskopsystem Stemi 305 LAB

Abmessungen



Masse

Stemi 305 im Stativ K LAB 6,2 kg

Umgebungsbedingungen

Lagerung (in Verpackung)

Zulässige Umgebungstemperatur +10 °C bis +40 °C
Zulässige relative Luftfeuchtigkeit..... maximal 75 % bei +35 °C (nicht kondensierend)

Transport (in Verpackung)

Zulässige Umgebungstemperatur -40 °C bis +70 °C

Betrieb

Zulässige Umgebungstemperatur +10 °C bis +40 °C
Zulässige relative Luftfeuchtigkeit..... maximal 75 %
Luftdruck 800 hPa bis 1060 hPa
Verschmutzungsgrad 2
Einsatzbereich geschlossene Räume
Höhe des Einsatzbereiches max. 2000 m

Betriebstechnische Daten – Tischnetzteil, Mikroskop und Controller K LED


Schutzklasse II
Schutzart..... IP 20
Elektrische Sicherheit nach DIN EN 61010-1 (IEC 61010-1) unter
unter Berücksichtigung von CSA- und UL-Vorschriften
Verschmutzungsgrad 2
Überspannungskategorie 2
Netzspannung 100 V bis 240 V \pm 10 %
Eine Umstellung der Gerätespannung ist aufgrund des Weitbereichs-Netzteils nicht erforderlich!
Netzfrequenz..... 50 Hz – 60 Hz
Leistungsaufnahme: Tischnetzteil mit angeschlossenem Mikroskop max. 40 VA
Output Tischnetzteil für Mikroskop
und für Controller K LED 12 V DC, max. 2 A
Input Tischnetzteil für Mikroskop
und für Controller K LED..... 100 V bis 240 V, 50 – 60 Hz, max. 0,55 A

Optische Risikogruppeneinstufung nach DIN EN 62471:2009

Gesamtgerät	LED-Risikogruppe 2 nach DIN EN 62471:2009
Integrierte Vertikalbeleuchtung	LED-Risikogruppe 2 nach DIN EN 62471:2009
Spot-Leuchte K LED (Auflicht)	LED-Risikogruppe 2 nach DIN EN 62471:2009
Doppelspot-Leuchte K LED (Auflicht)	LED-Risikogruppe 2 nach DIN EN 62471:2009
Durchlichteinheit in Stativ K LAB	LED-Risikogruppe 2 nach DIN EN 62471:2009
Durchlichteinheit im Stativ K EDU	LED-Risikogruppe 2 nach DIN EN 62471:2009
LED-Auflichtbeleuchtung, Peak bei 460 nm	LED-Risikogruppe 2 nach DIN EN 62471:2009
LED-Durchlichtbeleuchtung, Peak bei 465 nm	LED-Risikogruppe 2 nach DIN EN 62471:2009


3 AUFBAU

3.1 Allgemeine Hinweise

 Vor Aufbau und Inbetriebnahme sind unbedingt die **Hinweise zur Gerätesicherheit** sorgfältig durchzulesen (siehe Abschnitt 1.2, Seite 4).

Das Stemi 305 mit dem notwendigen Werkzeug sowie optionalem Zubehör wird handelsüblich in mehreren Verpackungen ausgeliefert.

- Alle Einheiten aus der Verpackung entnehmen und auf Vollständigkeit gemäß Lieferschein prüfen.

 Für Aufstellung bzw. den Transport des Mikroskop bzw. des Stativs ist nur der dafür vorgesehene Tragegriff (Bild 3/5) zu benutzen.

- Transportsicherungen (Klebebänder oder ähnliches) entfernen.
- Originalverpackung für eine eventuelle längere Einlagerung oder Rücksendung des Gerätes an den Hersteller aufbewahren oder ordnungsgemäß entsorgen.

3.2 Stereomikroskop aufstellen

- Stativ auf eine ebene, feste Unterlage stellen.
- Sofern der Stemi 305 Körper (Bild 10/2) noch nicht montiert ist, diesen in den Stemiträger (Bild 10/4) einsetzen, ausrichten und mit der Klemmschraube (Bild 10/6) fixieren.
Der passende Inbusschlüssel (Bild 10/9) befindet sich in der Halterung an der Rückseite des Gerätes.
- Sofern die zwei Okulare (Bild 10/1) noch nicht montiert sind, beide bis zum Anschlag in die Okularstutzen einstecken.
- Die zwei Schutzkappen von den Okularen (Bild 9/1) abziehen und die Schutzkappe vom Objektiv (Bild 9/2) abdrehen.

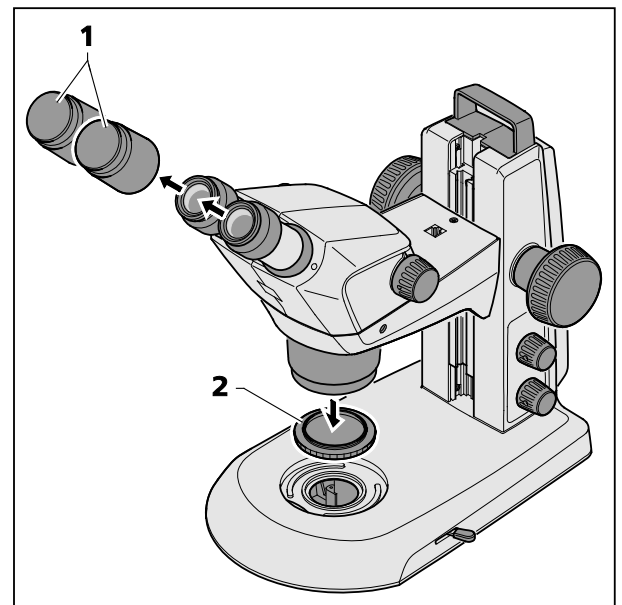
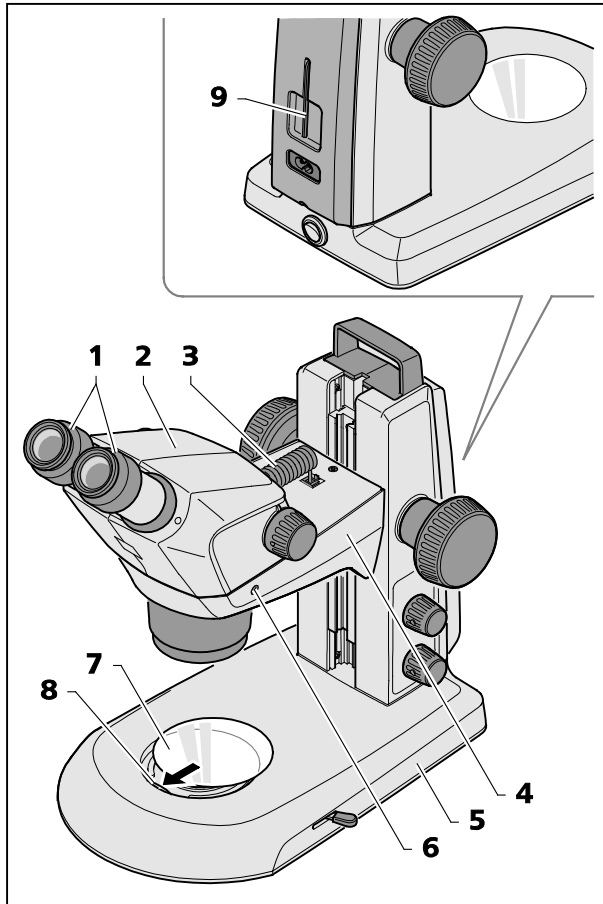


Bild 9 Abdeckkappen entfernen

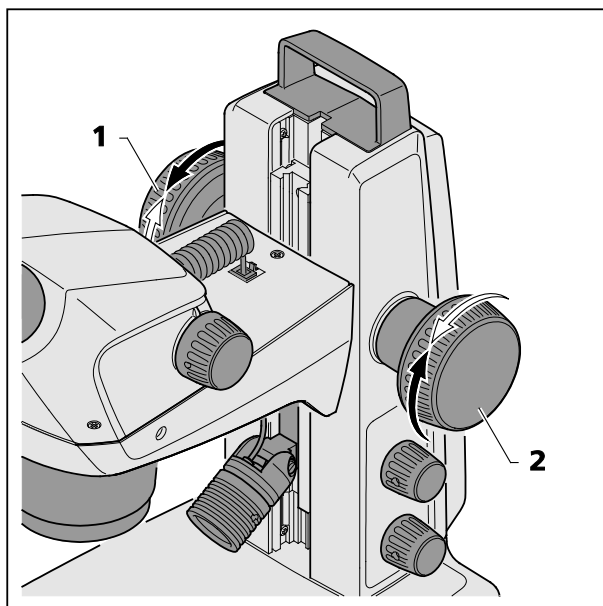


- Das mitgelieferte Anschlusskabel (Bild 10/3) in die Buchse am Stemi-Körper und in die Buchse am Stemi-Träger einstecken.
- Glasplatte oder SW-Kunststoffplatte (Bild 10/7) in die Aufnahme im Stativfuß einlegen. Dabei die Glasplatte oder SW-Kunststoffplatte gegen die Feder (Bild 10/8) drücken und einrasten.



Die Installation einer zusätzlichen Auflichtbeleuchtung ist in Abschnitt 3.3.1 auf Seite 23 beschrieben.

Bild 10 Stereomikroskop aufstellen



Bei Bedarf kann die Gängigkeit des Fokussiertriebs nach individuellen Bedürfnissen durch gegenläufiges Verstellen der beiden Fokussierknöpfe (Bild 11/1 und 2) eingestellt werden.



Die Gängigkeit darf nicht so leicht eingestellt werden, dass Trieb eigenständig nach unten fährt. Dies könnte zu Beschädigungen des Mikroskops oder des Objektes führen.

Bild 11 Gängigkeit des Fokussiertriebs einstellen

3.3 Optionale Komponenten montieren

3.3.1 Zusätzliche Auflichtbeleuchtung montieren

Je nach Anwendungsfall können unterschiedliche Auflichtbeleuchtungen genutzt werden. Zur Befestigung sind dafür am Mikroskop definierte Schnittstellen vorgesehen.

3.3.1.1 Spot-Leuchte K LED oder Doppelspot-Leuchte K LED montieren

- Den Mikroskopkörper (Bild 12/1) mittels Fokussierknopf (Bild 12/2) in die oberste Position fahren.
- Die Spot-Leuchte (Bild 12/7) mit dem Halter (Bild 12/5) von unten in die Führung (Bild 12/4) des Stativs einsetzen und bis in die gewünschte Position nach oben schieben.
- Das Anschlusskabel (Bild 12/6) der Spot-Leuchte in die untere Buchse des Stemi-Trägers (Bild 12/3) einstecken.



Die Montage der Doppelspot-Leuchte erfolgt analog.

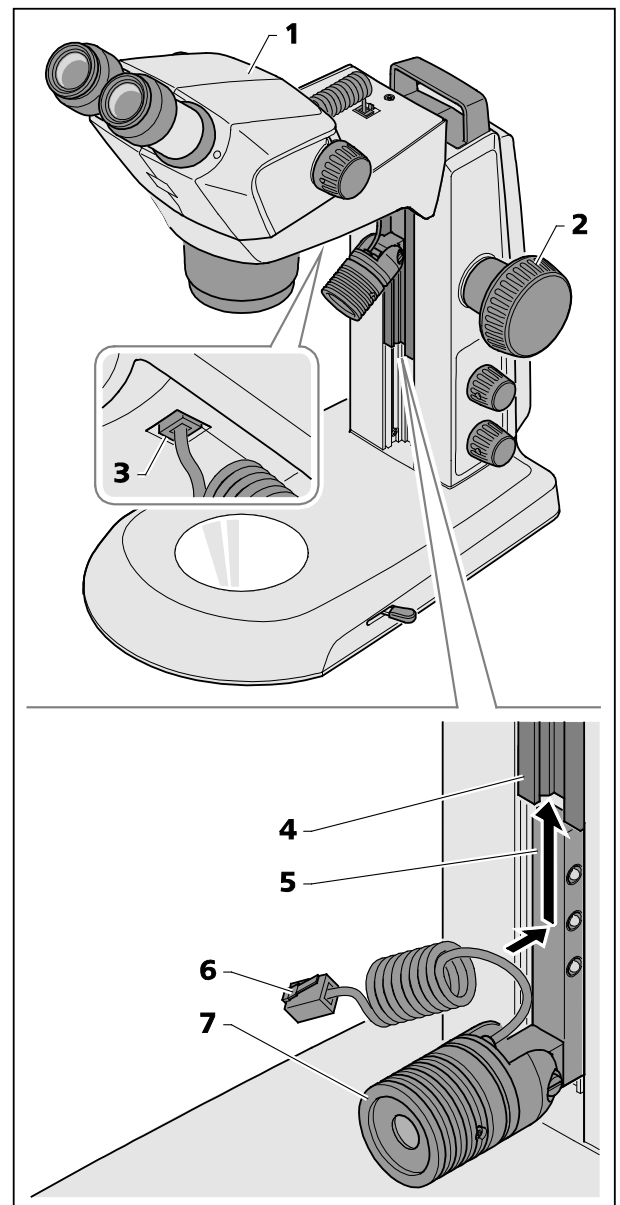


Bild 12 Spot-Leuchte montieren

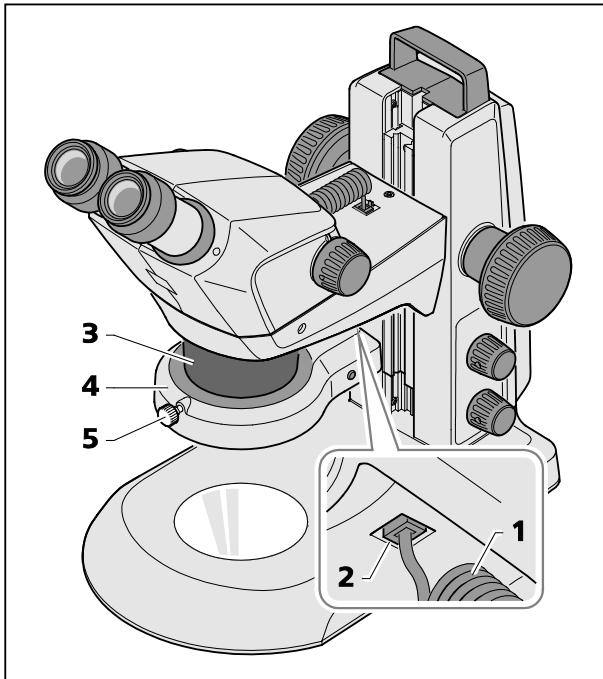


Bild 13 Ringleuchte auf Mikroskopkörper montieren

3.3.1.2 Ringleuchte K LED (segmentierbar) montieren

Ringleuchte an Mikroskopkörper montieren

- Das Anschlusskabel (Bild 13/1) der Ringleuchte (Bild 13/4) in die untere Buchse (Bild 13/2) des Stemi-Trägers und in die Buchse der Ringleuchte einstecken.
- Die Ringleuchte von unten auf den Mikroskopkörper (Bild 13/3) aufschieben und mit der Rändelschraube (Bild 13/5) fixieren.

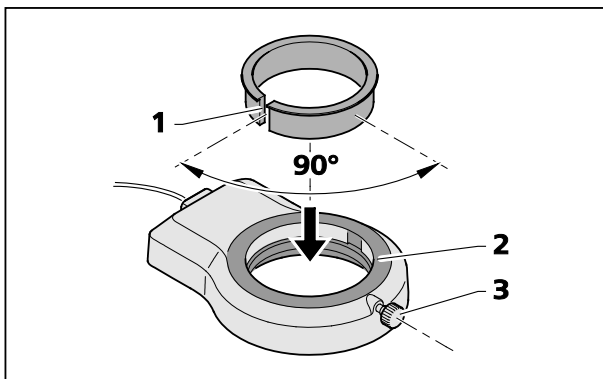


Bild 14 Ringleuchte auf Vorsatzoptik 3 montieren

Ringleuchte an Vorsatzoptik 3 montieren

- Vorsatzoptik 3 unten in den Mikroskopkörper einschrauben.
- Den mit der Vorsatzoptik gelieferten, geschlitzten Adapterring (Bild 14/1) von oben in die Ringleuchte (Bild 14/2) einlegen.
- Ringleuchte mit Adapter an der Vorsatzoptik hochschieben und mittels Klemmschraube (Bild 14/3) fixieren (analog Bild 13).



Die beste Klemmwirkung wird erzielt, wenn der Schlitz (Bild 14/1) des Adapters um ca. 90° versetzt zur Klemmschraube (Bild 14/3) der Ringleuchte angeordnet wird.

3.3.1.3 Externe faseroptische Beleuchtung

- Externe faseroptische Beleuchtung (Bild 15/1) einschalten, Beleuchtungsintensität regeln und durch Verbiegen der beiden Schwanenhälse (Bild 15/2) die Beleuchtung so einstellen, dass das Objekt optimal ausgeleuchtet wird.



Beachten Sie hierzu auch separate Bedienungsanleitungen zur Kaltlichtquelle.

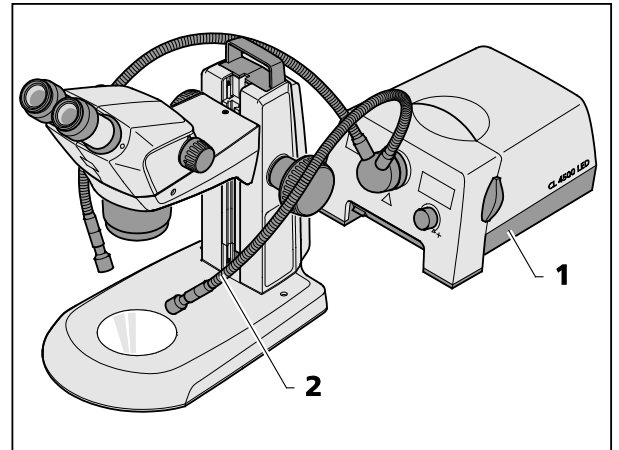


Bild 15 Externe faseroptische Beleuchtung montieren

3.3.1.4 Umstülpbare Augenmuschel auf das Okular aufsetzen

Die Okulare sind mit Brillenschutzringen aus Gummi versehen, um Kratzer auf den Brillen zu vermeiden. Diese können wahlweise durch umstülpbare Augenmuscheln (Bild 16/1) ersetzt werden.

- Dazu die Brillenschutzringe (Bild 16/2) von den Okularen (Bild 16/3) abziehen und die Augenmuscheln (Bild 16/1) aufsetzen.

3.3.1.5 Okularplatte in das Okular einsetzen

Die stellbaren Okulare sind für die Verwendung mit Okularplatten vorgesehen.

- Blendenteil (Bild 16/6) aus dem Okular (Bild 16/3) herausschrauben.
- Sicherungsring (Bild 16/4) herausziehen.
- Okularplatte (Bild 16/5) einsetzen.
- Sicherungsring einsetzen und Blendenteil wieder einschrauben.



Werden Okularplatten kundenseitig eingesetzt, so ist darauf zu achten, dass vor dem Einsetzen in das Okular die Beschriftung seitenverkehrt lesbar ist und nach dem Einsetzen seitenrichtig.

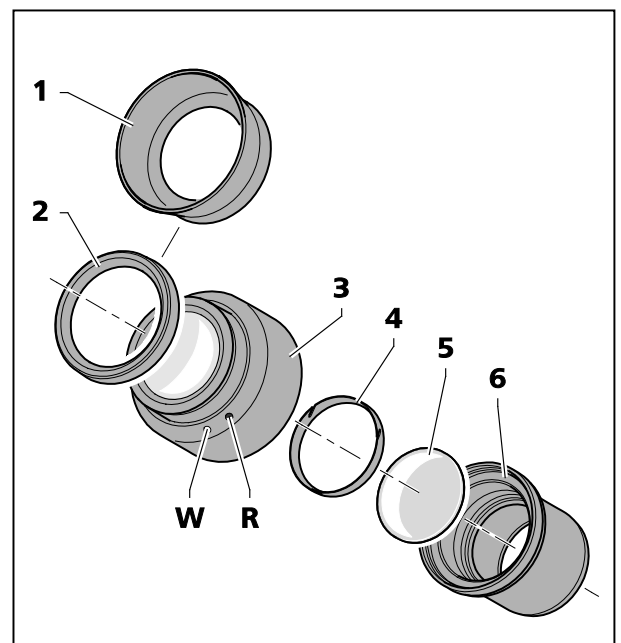


Bild 16 Okularplatte einsetzen



Zum Einsetzen bzw. Wechseln von Okularplatten wird das Tragen von dünnen Baumwollhandschuhen empfohlen.

Die durch den zusätzlichen Glasweg bewirkte leichte Bildverlagerung wird an der Dioptrienskala dadurch berücksichtigt, dass die Nullstellung nicht durch den weißen Punkt (Bild 16/W), sondern durch den roten Punkt (Bild 16/R) angezeigt wird.

 Okulare mit bereits eingesetzten Okularplatten können direkt von ZEISS bezogen werden.

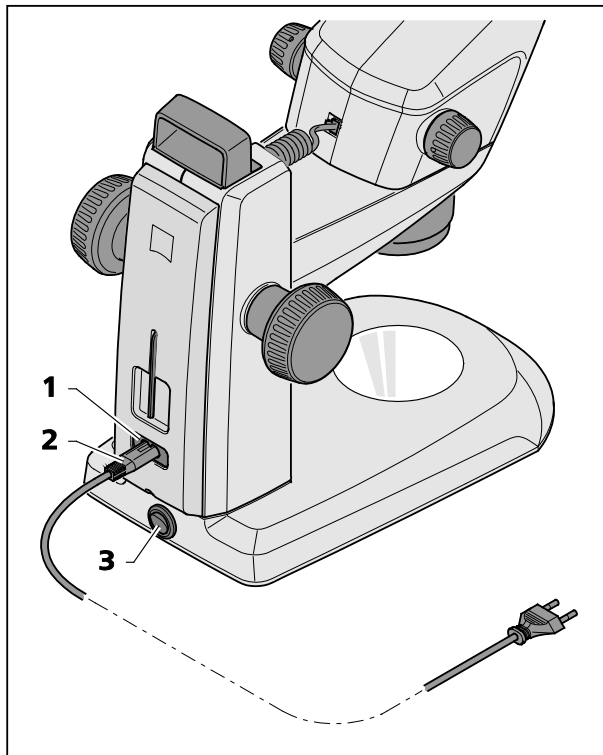


Bild 17 Stereomikroskop anschließen

3.4 Stereomikroskop an das Netz anschließen

- Das Netzkabel (Bild 17/2) in die Netzanschlussbuchse (Bild 17/1) des Stativs einstecken.
- Netzkabel (Bild 17/2) an eine Netzsteckdose anschließen.

3.5 Stereomikroskop einschalten oder ausschalten

- Das Stereomikroskop mit dem Netzschalter (Bild 17/3) ein- bzw. ausschalten.



Eine sichere Trennung vom Stromversorgungsnetz ist ausschließlich durch Ziehen des Netzsteckers gewährleistet. Der Schalter am Stereomikroskop schaltet nur in den Standby-Betrieb.




Abnehmbare Netzkabel dürfen nicht durch unzulänglich bemessene Netzkabel ersetzt werden. Es dürfen nur die vorgeschriebenen Netzleitungen verwendet werden.

4 BEDIENUNG


4.1 Stereomikroskop einstellen


Das Stereomikroskop ist angeschlossen und eingeschaltet.

1. Objekt (Bild 18/7) mittig auf die Glas- oder Kunststoffplatte (Bild 18/6) auflegen und beleuchten (Bild 18/5).


 Die Funktionalität des Drehknopfes für Auflichtbeleuchtung ist in Abschnitt 4.2 auf Seite 28 beschrieben.

2. Dioptrienausgleich an den stellbaren Okularen (Bild 18/1) auf "0" stellen.

 "0" auf weißen Punkt (ohne Okularplatte). "0" auf roten Punkt (mit Okularplatte), siehe Bild 19.

 Überprüfen, ob die Okulare bis zum Anschlag in den Tubus eingesteckt sind.

3. Individuellen Augenabstand durch seitliches Verschieben der Okularstutzen (Bild 18/2) einstellen, bis beim Einblick in die Okulare mit beiden Augen nur **ein** beschneidfreier Lichtkreis (Objektfeld) zu sehen ist.

 Hierzu muss zwischen Auge und Okular ein Abstand von ca. 2 cm eingehalten werden.

4. Zoom (Bild 18/3) zuerst auf die kleinste Vergrößerung einstellen.

5. Auf ein kleines markantes Detail in der Bildmitte des Objektes fokussieren (Bild 18/4).

6. Maximalen Zoomwert einstellen (Bild 18/3). Durch die Vergrößerung wird das markante Detail wahrscheinlich wieder unscharf abgebildet und befindet sich nicht mehr in der Bildmitte.

7. Objekt durch Fokussieren scharf stellen, dann das Detail durch Verschieben des Objektes erneut suchen und wieder exakt fokussieren (Bild 18/4).

8. Danach wieder auf kleinsten Zoomwert stellen und ggf. vorhandene Bildunschärfen für jedes Auge getrennt durch Dioptrienausgleich **an den stellbaren Okularen** (nicht am Fokussierknopf, Bild 18/4) korrigieren (Augenfehlerkompensation).

Ist das Stereomikroskop in dieser Weise abgeglichen, bleibt die Bildschärfe über den gesamten Zoombereich erhalten.

 Nach einem Beobachterwechsel die Schritte **3.** bis **8.** wiederholen.

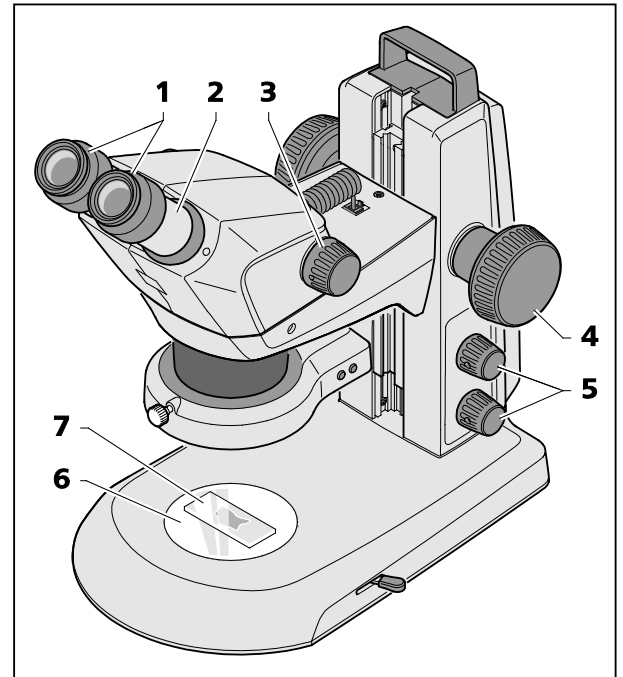


Bild 18 Stereomikroskop einstellen

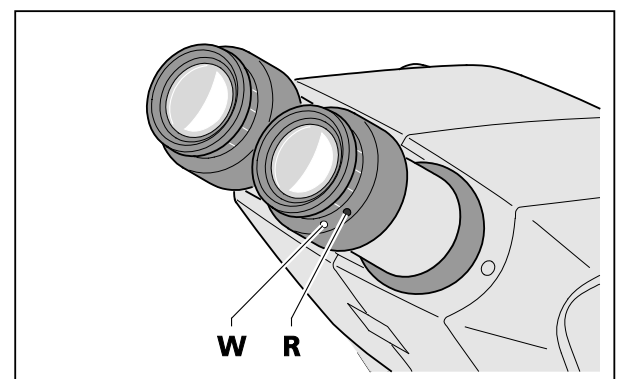
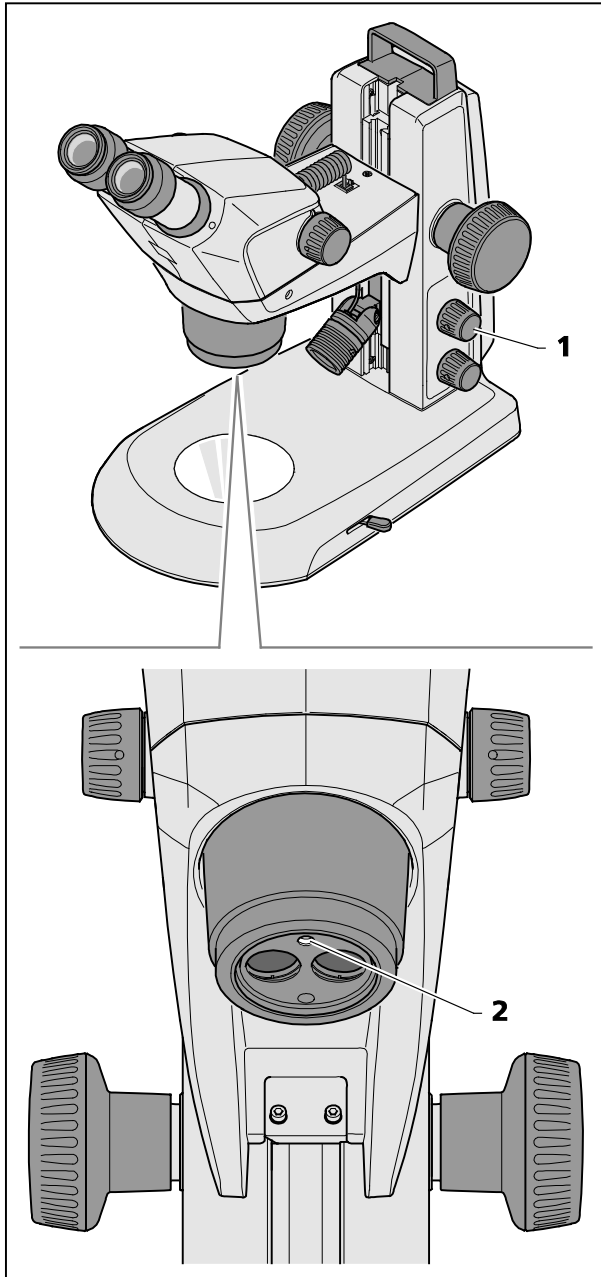


Bild 19 Okulare einstellen



4.2 Auflichtbeleuchtung einstellen

4.2.1 Integrierte Vertikalbeleuchtung

Alle Stemi 305 Körper sind mit einer eingebauten Vertikalbeleuchtung versehen.


Falls keine zweite Auflichtbeleuchtung installiert ist, wird die Vertikalbeleuchtung folgendermaßen bedient:

- Einmaliges Drücken auf den Drehknopf (Bild 20/1) schaltet die Vertikalbeleuchtung (Bild 20/2) wechselweise ein- oder aus.
- Drehen des Knopfes regelt ihre Beleuchtungsintensität.

Falls eine zweite Auflichtbeleuchtung installiert ist, werden die Auflichtbeleuchtungen folgendermaßen bedient:


- Durch aufeinanderfolgendes Drücken des Drehknopfes werden vier Beleuchtungszustände eingestellt:
 1. Drücken: Schaltet die Vertikalbeleuchtung ein.
 2. Drücken: Schaltet die zweite Auflichtbeleuchtung ein (Vertikalbeleuchtung aus).
 3. Drücken: Schaltet beide Auflichtbeleuchtungen ein.
 4. Drücken: Schaltet beide Auflichtbeleuchtungen aus.
- Drehen des Knopfes regelt die Beleuchtungsintensität der eingeschalteten Auflichtbeleuchtung.

Bild 20 Vertikalbeleuchtung einstellen


 Beim Mischen beider Auflichtbeleuchtungen wird die Intensität der zusätzlich installierten Auflichtbeleuchtung (Spot-Leuchte, Doppelspot-Leuchte, Ringleuchte, etc.) übernommen. Das Drehen des Drehknopfes regelt in diesem Fall nur die Vertikalbeleuchtung. Dem Auflicht wird nun die gewünschte Intensität des vertikalen Lichtes hinzugemischt.

4.2.2 Spot-Leuchte

- Spot-Leuchte in der Führung auf die gewünschte Höhe (Bild 21/2) schieben.

 In den unteren Positionen wird ein Streiflicht-Effekt zur Bildung von Schlag-
schatten für die Betonung von Ober-
flächenstrukturen erzeugt.

- Über das Gelenk der Spot-Leuchte den Winkel (Bild 21/1) so einstellen, dass das Objekt optimal ausgeleuchtet wird.
- Durch axiales Verschieben des Fokussierteils (Bild 21/3) die Größe und Helligkeit des Spots einstellen (Beleuchtungszoom).

 Das Ein- und Ausschalten sowie das
Regeln der Beleuchtungsintensität ist in
Abschnitt 4.2.1, Seite 28 beschrieben.

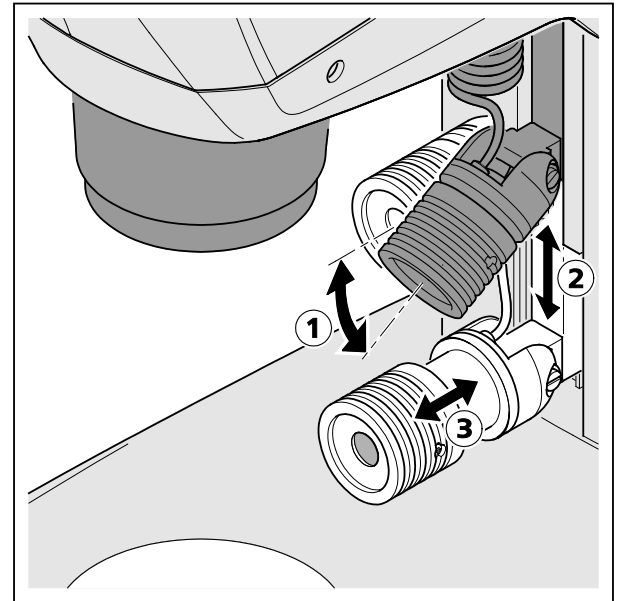




Bild 21 Spot-Leuchte einstellen

4.2.3 Doppelspot-Leuchte

- Den Mikroskopkörper mittels Fokussierknopf (Bild 22/1) in die oberste Position fahren. Doppelspot-Leuchte (Bild 22/2) in der Führung auf die gewünschte Höhe schieben.
- Durch Verbiegen der beiden Schwannenhälse (Bild 22/3) die Spots so einstellen, dass das Objekt optimal ausgeleuchtet wird.

 Das Ein- und Ausschalten sowie das
Regeln der Beleuchtungsintensität ist in
Abschnitt 4.2.1, Seite 28 beschrieben.

 Auch hier lässt sich in den unteren
Positionen bei horizontal eingestelltem
Schwanenhalsarmen ein Streiflichteffekt
erzeugen.

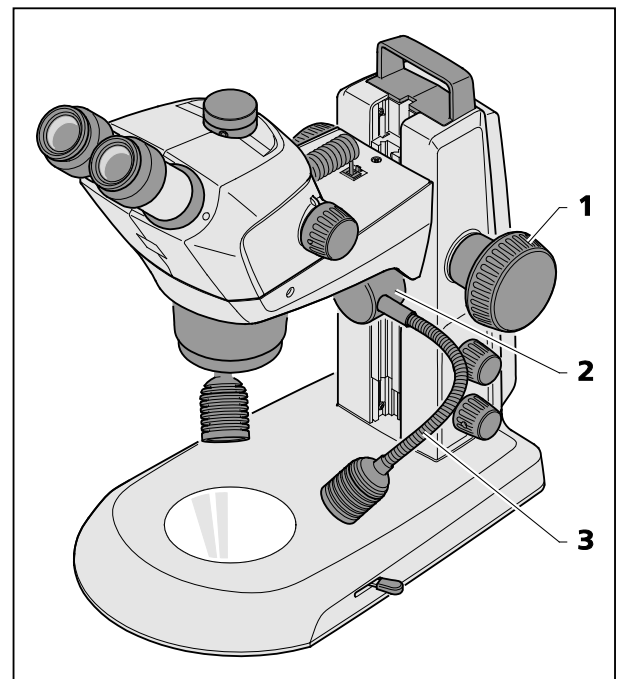



Bild 22 Doppel-Spotleuchte

 Spotleuchte und Doppelspot-Leuchte verfügen über ein Gewinde M24 zum Vorschrauben von
Polarisationsfiltern. Der zugehörige Analysator wird in das M52x1,0 Gewinde des
Mikroskopkörpers eingeschraubt (Bild 7/4).
Durch Drehen an den Spot-Polarisatoren lassen sich überstrahlende Reflexe auf dem Objekt
reduzieren.

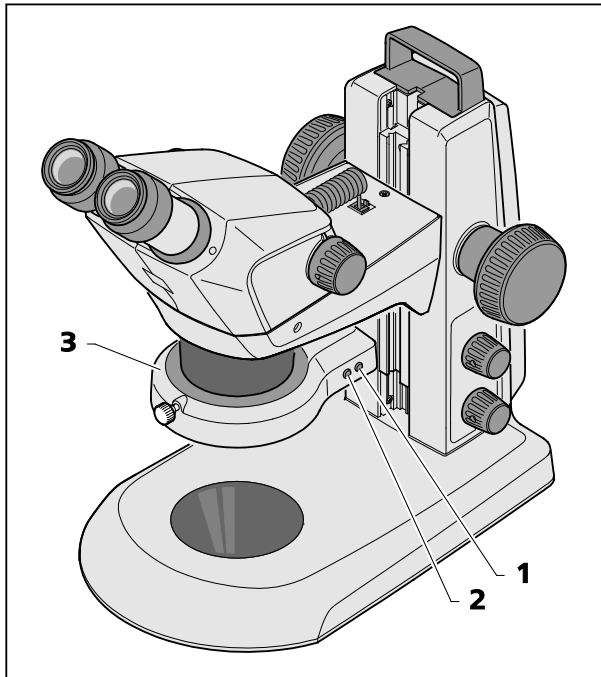



Bild 23 Ringleuchte

4.2.4 Ringleuchte

- Durch aufeinanderfolgendes Drücken des vorderen Knopfes (Bild 23/2) kann zwischen vier Beleuchtungszuständen der Ringleuchte (Bild 23/3) gewechselt werden:
 1. Drücken: Vollkreis
 2. Drücken: Halbkreis
 3. Drücken: Viertelkreis
 4. Drücken: zwei Viertelkreise (gegenüber liegend)
- Beim Einschalten der der Halbkreis- oder Viertelkreis-Beleuchtung wird das Objekt zunächst von hinten (aus Richtung der Stativsäule) beleuchtet.
- Durch einmaliges kurzes Drücken des hinteren Knopfes (Bild 23/1) wird das eingestellte Segment jeweils um eine Viertel-Drehung im Uhrzeigersinn weiter gedreht.
- Durch Drücken und Halten des hinteren Knopfes (Bild 23/1) länger als 2 Sekunden wird das eingestellte Segment in kontinuierliche Rotation versetzt (Drehung in 1/8 Kreisschritten, jeweils 1 Sekunde pro Umdrehung).
- Durch erneutes Drücken des hinteren Knopfes (Bild 23/1) wird die Rotation gestoppt und das Objekt wieder von hinten beleuchtet.

 Das Ein- und Ausschalten sowie das Regeln der Beleuchtungsintensität ist in Abschnitt 4.2.1, Seite 28 beschrieben.

4.2.5 Controller K LED

Der Controller K (Bild 24/4) dient zur Ansteuerung der Vertikalbeleuchtung des Stemi 305 Körpers oder der Ringleuchte bei Anwendungen mit Auslegerstativen B oder U oder weiteren Stativen.

- Montage der Stative B und U inklusive der Fixierung des Stemi 305 Körpers am Stemiträger gemäß der Bedienungsanleitung der Auslegerstative vornehmen.
- Vorsatzsystem 0,5x/185 mm (Bild 24/9) an den Mikroskopkörper anschrauben.
- Bei Verwendung der Ringleuchte diese mittels mitgeliefertem Adapter (Durchmesser innen 58 mm, außen 66 mm) an das Vorsatzsystem (Bild 24/9) adaptieren.
- Die Magnetplatte (Bild 24/7) mit der klebenden Seite am Schwenkarmstativ befestigen.
- Das mitgelieferte Anschlusskabel (1 m Länge) (Bild 24/2) in die Buchse (Bild 24/8) am Mikroskopkörper bzw. Ringleuchte und in die Buchse (Bild 24/3) an der Rückseite des Controllers K (Bild 24/4) einstecken.
- Den Controller K (Bild 24/4) an die Magnetplatte (Bild 24/7) ansetzen.
- Den Controller K mittels Netzteil (Bild 24/1) an das Netz anschließen.
- Das Schwenkarmstativ (Bild 24/6) so ausrichten, dass eine ergonomische Arbeitsposition besteht.
- Durch Drücken des Drehknopfes (Bild 24/5) am Controller K die Vertikalbeleuchtung (oder die Ringleuchte) einschalten und durch Drehung des Knopfes die Beleuchtungsintensität regeln.
- Objekt in das beleuchtete Objektfeld legen.
- Grundeinstellungen des Stereomikroskops vornehmen, siehe Kapitel 4.1 auf Seite 27.

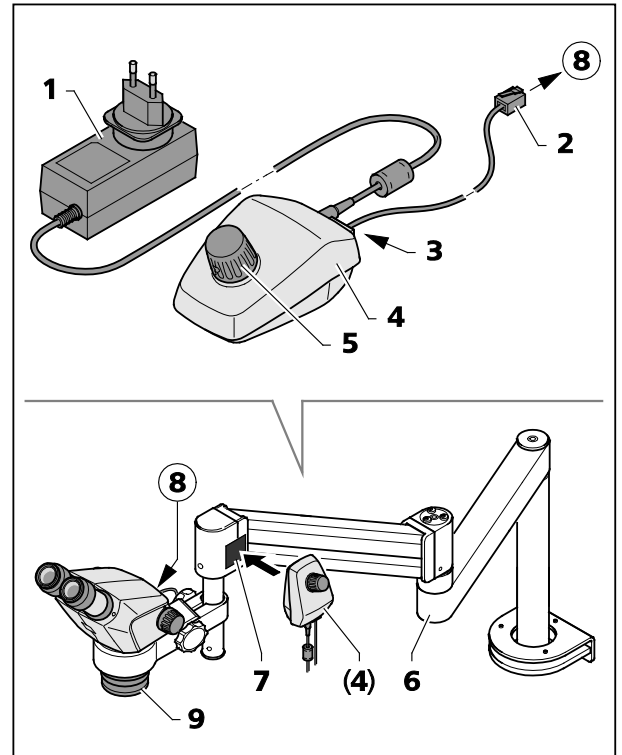
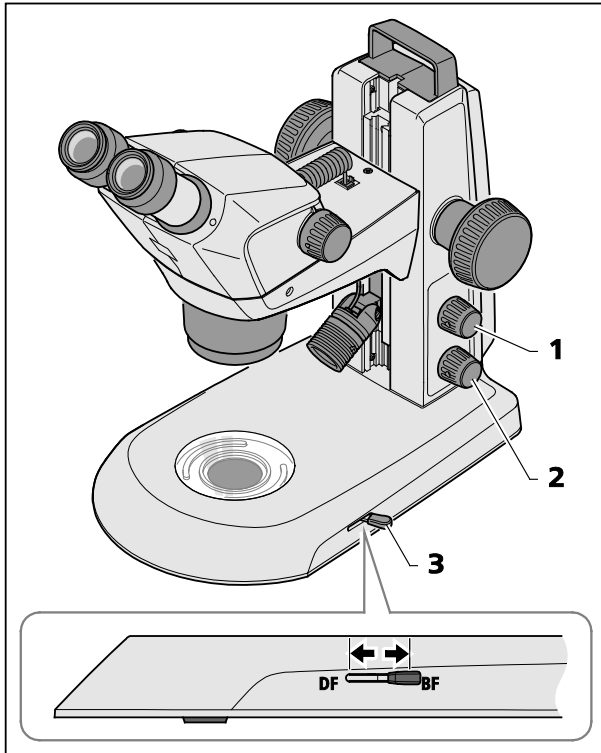


Bild 24 Controller K LED



4.3 Durchlichtbeleuchtungen

4.3.1 Durchlichtmodul im Stativ K EDU

- Durch Drücken auf den unteren Drehknopf (Bild 25/2) Durchlicht einschalten.
- Bei eingeschaltetem Durchlicht durch Drehen dieses Knopfes die Beleuchtungsintensität einstellen.
- Durch Verstellen des Hebels (Bild 25/3) zwischen Hellfeld- und Dunkelfeldbeleuchtung umschalten.
 - Vordere Stellung: Dunkelfeld (DF)
 - Hintere Stellung: Hellfeld (BF)




Durch Drücken des oberen Knopfes (Bild 25/1) kann Auflicht dazu gemischt werden (siehe Kapitel 4.2 auf Seite 28).


Bild 25 Durchlichtmodul im Stativ K EDU

4.3.2 Durchlichteinheit im Stativ K LAB

- Durch Drücken auf den unteren Drehknopf (Bild 26/1) Durchlicht einschalten.
- Bei eingeschaltetem Durchlicht durch Drehen dieses Knopfes die Beleuchtungsintensität einstellen.
- Durch Schieben des Dreh-/Schiebeknopfes (Bild 26/2) in die hintere Stellung Hellfeld (BF) einstellen.
- Durch Drehen des Dreh-/Schiebeknopfes (Bild 26/2) den Klar- oder diffusen Spiegel einschwenken bzw. den Kippwinkel verstellen.

 Klarspiegel für kontrastreiches Hellfeld, Diffusspiegel für homogenes Hellfeld.

- Durch Verschieben des Dreh-/Schiebeknopfes (Bild 26/2) in die vordere Stellung wird auf Dunkelfeld-Beleuchtung (DF) umgeschaltet.
- Den Spiegel solange drehen, bis die Objektstrukturen hell vor dunklem Hintergrund leuchten.

 Durch Verschieben des Dreh- / Schiebeknopfes (Bild 26/2) in eine mittlere Position und durch Kippen des Spiegels werden Schräglichteffekte (RC) erzeugt, sehr gut geeignet zum Sichtbarmachen von Strukturen ungefärbter Objekte.

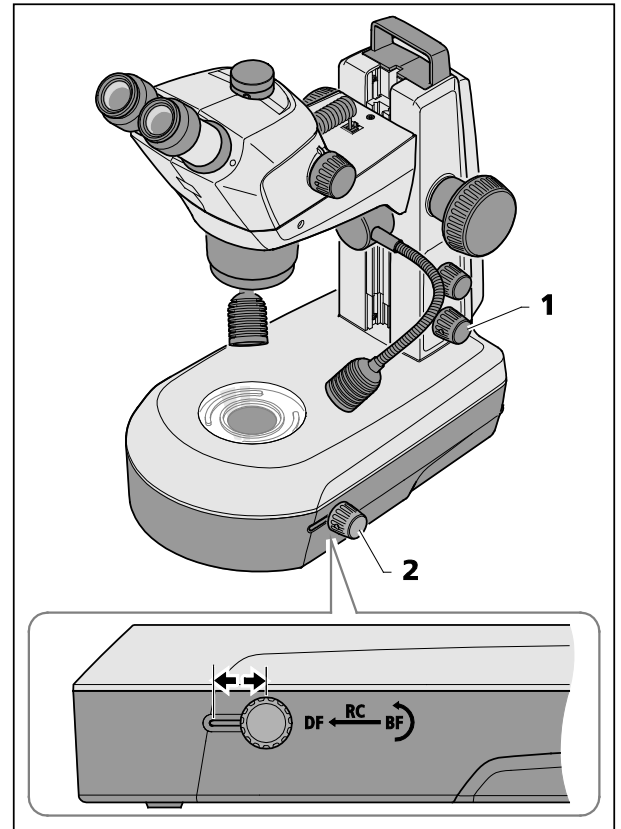


Bild 26 Durchlichteinheit im Stativ K LAB

5 PFLEGE, WARTUNG UND SERVICE

5.1 Pflege

Die Pflege der Geräte beschränkt sich auf die nachstehend aufgeführten Arbeiten:



Die Geräte sind mit keinen besonderen Vorrichtungen zum Schutz vor ätzenden, potentiell infektiösen, toxischen, radioaktiven oder sonstigen die Gesundheit beeinträchtigenden Proben ausgestattet. Alle gesetzlichen Erfordernisse, insbesondere nationale Vorschriften zur Unfallverhütung, sind im Umgang mit solchen Proben zu beachten.



- Kontaminationen am Gerät entsprechend den Vorschriften zur Unfallverhütung beseitigen.
- Nach dem Gebrauch sind die Geräte von Netz zu trennen. Geräte mit geeigneter Abdeckung (Geräteschutzhülle) vor Staub und Feuchtigkeit schützen.
- Geräte nie längere Zeit unzulässigen Klimabedingungen (erhöhter Luftfeuchtigkeit und Temperatur) aussetzen.



Vor der Reinigung sind die Geräte vom Netz zu trennen. Achten Sie darauf, dass keine Reinigungsflüssigkeiten in das Geräteinnere gelangen.

Hartnäckige Verunreinigungen an Glasoberflächen, wie z. B. Fingerabdrücke und Fettspuren, reinigt man am besten mit einem um ein Rundholzstäbchen aufgedrehten Wattebausch und einer geringen Menge destilliertem Wasser oder einem nicht aggressiven Lösungsmittel:

- Destilliertes Wasser: Glasoberfläche mit leicht angefeuchtetem Wattebausch in kreisender Bewegung von der Mitte zum Rand säubern.
- Optik-Reinigungslösung, bestehend aus 15 % Isopropanol und 85 % Wundbenzin (Gasolin): Glasoberfläche mit leicht angefeuchtetem Wattebausch in kreisender Bewegung von der Mitte zum Rand säubern.
- Staub auf optischen Flächen mit einem Naturhaarpinsel entfernen oder mit Gummibalg (air blower) abpusten.
- Kunststoffteile sind mit handelsüblichen Reinigungsmitteln (keine Lösungsmittel!) zu säubern. Hartnäckige Verunreinigungen können mit Waschbenzin oder Spiritus vorsichtig behandelt werden.
- Alle Schilder an den Komponenten und am Tischnetzteil dürfen nur mit einem trockenen Baumwolltuch gereinigt werden.

5.2 Wartung

5.2.1 Netzteil wechseln



Nur das vom Hersteller vorgeschriebene Tischnetzteil darf verwendet werden.



Vor Öffnen des Gerätes ist stets der Netzstecker aus der Steckdose zu ziehen!

- Netzstecker des Netzkabels aus der Steckdose ziehen.
- Netzkabel an der Geräterückseite abziehen.
- Mit dem Inbusschlüssel die Schraube (Bild 27/1) an der Unterseite des Gehäusedeckels lösen.
- Den Gehäusedeckel (Bild 27/2) unten leicht abziehen und nach oben drücken.
- Den Stecker (Bild 27/3) lösen und das defekte Tischnetzteil (Bild 27/4) entnehmen.
- Das neue Tischnetzteil einsetzen und den Stecker anschließen.
- Die Oberseite des Gehäusedeckels andrücken und den Gehäusedeckel nach unten schieben.
- Den Gehäusedeckel mit der Schraube fixieren.
- Netzkabel an der Geräterückseite einstecken.
- Netzstecker in eine Netzsteckdose stecken.

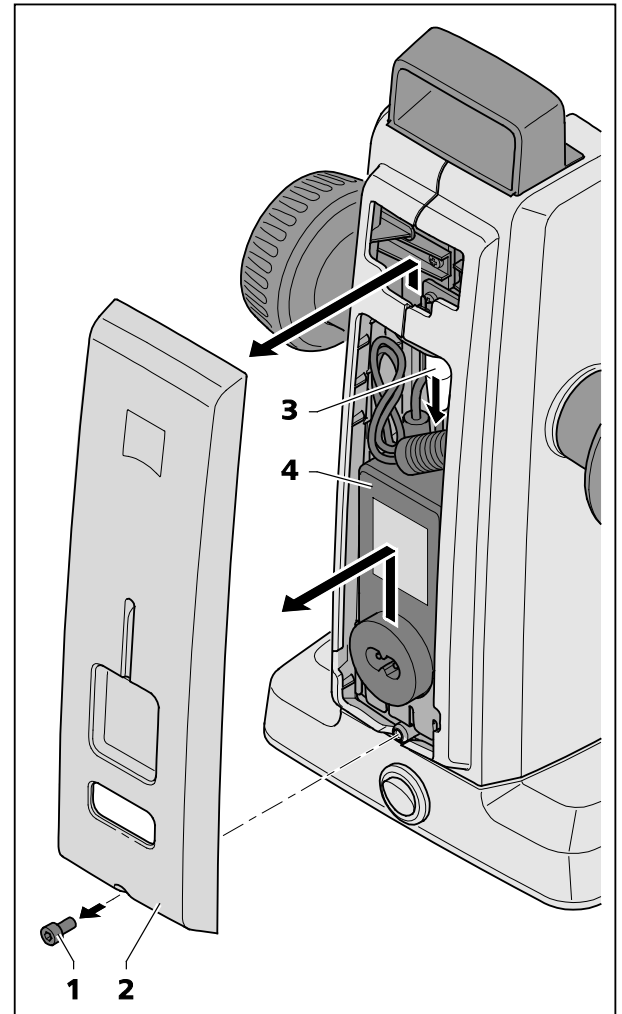


Bild 27 Netzteil wechseln

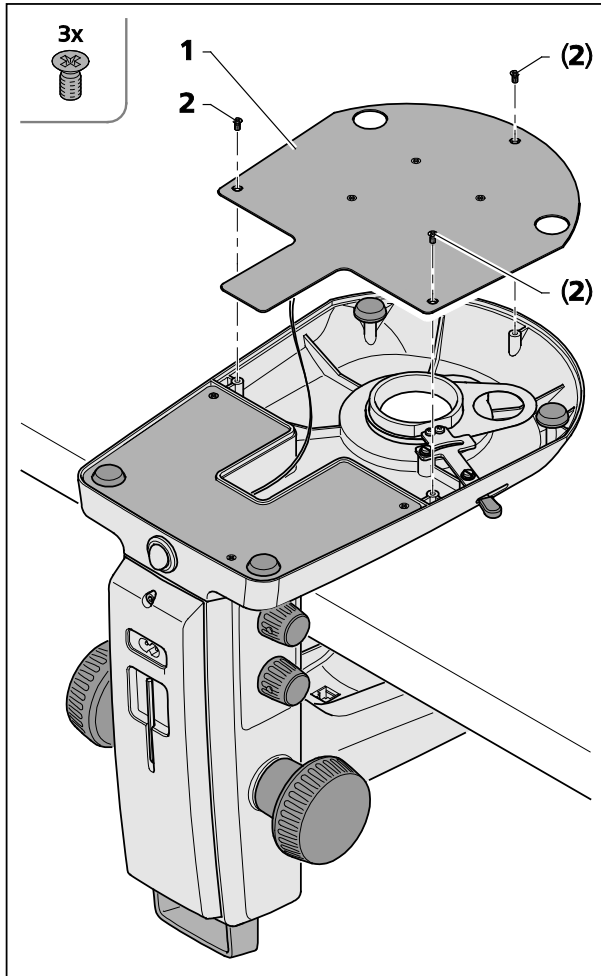


Bild 28 Stativabdeckplatte Stativ K EDU
öffnen

5.2.2 Stativabdeckplatte vom Stativ K EDU öffnen

Zur Reinigung bzw. Entnahme versehentlich hineingefallener Fremdkörper kann die Stativabdeckplatte (Bild 28/1) entfernt werden.

- Dazu die drei Kreuzschlitzschrauben (Bild 28/2) lösen und die Stativabdeckplatte (Bild 28/1) vorsichtig abheben und zur Seite legen.
- Darauf achten, dass das Kabel nicht von der Stativabdeckplatte (Bild 28/1) getrennt wird.





Zur Reinigung der LED-Platine ein fusselfreies, weiches Tuch, einen um ein Rundholz gedrehten Wattebausch oder einen Naturhaarpinsel, ggf. mit destilliertem Wasser leicht befeuchtet, verwenden.

5.2.3 Stativabdeckplatte vom Stativ K LAB öffnen

Zur Reinigung bzw. Entnahme versehentlich hineingefallener Fremdkörper kann der Durchlichtuntersatz (Bild 29/1) von der Stativabdeckplatte (Bild 29/3) entfernt werden.

- Die drei Schrauben (Bild 29/2) von der Stativabdeckplatte (Bild 29/1) mit Inbusschlüssel SW 2,5 lösen und zur Seite legen.
- Die Stativabdeckplatte (Bild 29/3) vorsichtig vom Durchlichtuntersatz (Bild 29/1) abheben und das Stativ zur Seite legen.

 Darauf achten, dass das Kabel (Bild 29/4) nicht vom Durchlichtuntersatz (Bild 29/1) getrennt wird.

 Zur Reinigung der LED, der optischen Elemente und des Spiegels ein fusselfreies, weiches Tuch, einen um ein Rundholz gedrehten Wattebausch oder einen Naturhaarpinsel, ggf. mit destilliertem Wasser leicht befeuchtet, verwenden.

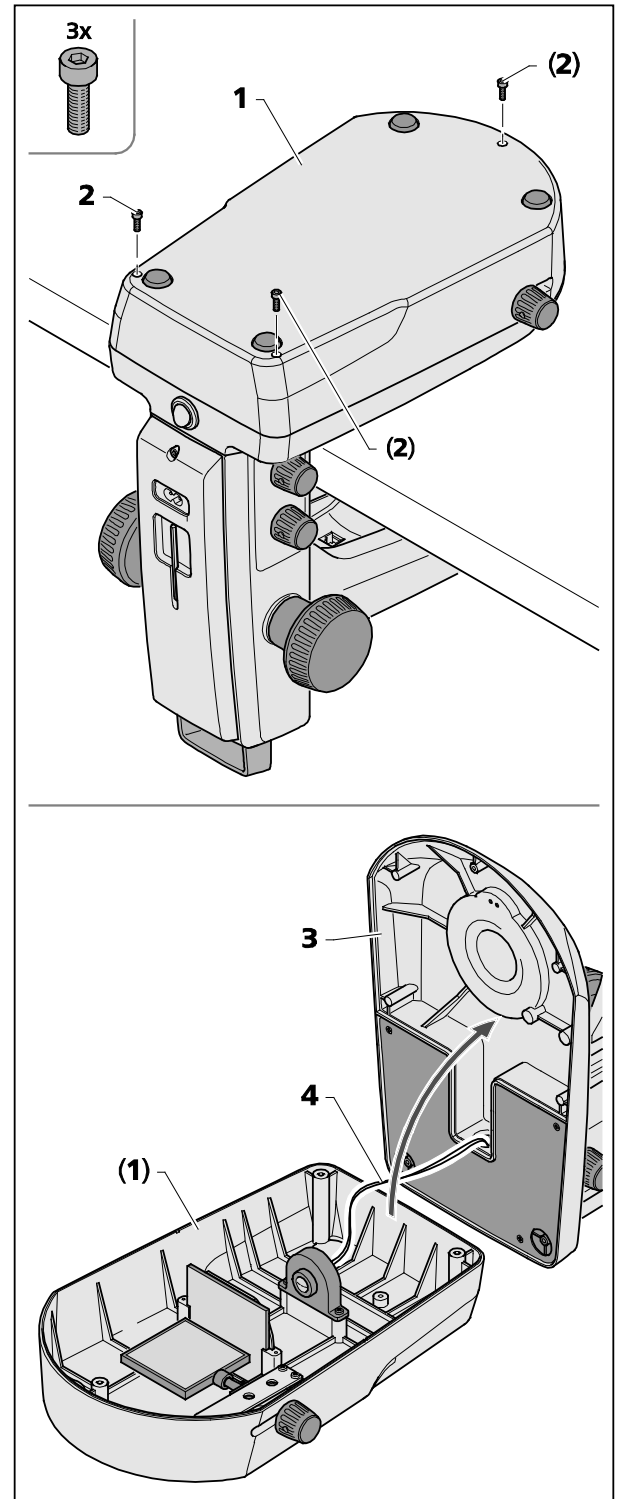


Bild 29 Stativabdeckplatte Stativ K LAB öffnen

5.2.4 Verschleißteile

Folgende Verschleißteile können direkt bei ZEISS bestellt werden:

Bezeichnung	Bestell-Nr.	Bemerkung
Glasplatte klar, d = 84 mm	435425-9310-000	
S/W-Kunststoffplatte, d = 84 mm	435425-9320-000	
Okular PL 16x/16 Br foc.	444054-9000-000	
Augenmuschel	444801-0000-000	2x erforderlich
Okular 16x/14 Br foc.	435063-9160-000	
Okular W 25x/10 foc.	455046-9901-000	
Stemi 305/508 Kleinteile-Set: - 1x Inbusschlüssel SW 3 - 2x Spiralkabel RJ 12 - 1x Kabel RJ 12 1m Länge (für Controller K LED) - 2x Abdeckkappe Okular - 1x Abdeckkappe Zoomkörper Stemi 305 - 1x Abdeckkappe C-mount - 2x Gummiring Okular (Brillenschutzring) - 1x M6 Schraube Mikroskopträger K/M - 2x M6 Schraube für C-Mount - 1x M4x8 Schraube für Rückwand aller Stative K/M	000000-0577-092	
Staubschutzhülle Stativ K	415500-1800-000	

5.3 Service

Sämtliche Eingriffe an mechanischen, optischen und elektronischen Teilen im Innern des Stereomikroskops dürfen nur vom ZEISS-Kundendienst oder von speziell **autorisiertem** Fachpersonal durchgeführt werden.

Damit Ihr Stereomikroskop auch über einen längeren Zeitraum optimal eingestellt ist und fehlerfrei funktioniert, empfehlen wir Ihnen, einen Service-/Wartungsvertrag mit ZEISS abzuschließen.

Bei Nachbestellungen oder im Servicefall wenden Sie sich bitte an die für Sie zuständige ZEISS-Vertretung.

5.4 Produktentsorgung

Das Produkt wurde in Übereinstimmung mit den geltenden Vorschriften und Richtlinien des Umweltrechts der Europäischen Union entwickelt, geprüft und gefertigt.

Das Produkt und das entsprechende Zubehör erfüllen die Anforderungen der EU-Richtlinien 2011/65/EU (RoHS) und 2012/19/EU (WEEE) sowie das deutsche Gesetz über Elektro- und Elektronikgeräte (ElektroG).

Das Produkt enthält elektronische Bauteile, die nicht über den Hausmüll sondern entsprechend der WEEE-Richtlinie 2002/19/EU entsorgt werden müssen. Außerdem müssen die nationalen Gesetze eingehalten werden.

Für nähere Informationen über die Entsorgung und das Recycling wenden Sie sich bitte an Ihre zuständige Verkaufs- oder Kundendienstorganisation von ZEISS.

6 ANHANG**6.1 Abkürzungsverzeichnis**

BF	Bright field (Hellfeld)
DIN	Deutsche Industrienorm
DF	Dark field (Dunkelfeld)
EN	Europäische Norm
ESD	Electrostatic discharge (Elektrostatische Entladung)
IEC	International Electrotechnical Commission
IP	Internal Protection (Schutzart durch das Gehäuse)
IvD	In-vitro Diagnostika
LED	Leuchtdiode (Light Emitting Diode)
RC	Reliefkontrast (Schräglichkeit)
SW	Schlüsselweite
SW	Schwarz/weiß
UV	Ultraviolett

6.2 Fehlersuche

Fehlerbeschreibung	Fehlerursache	Fehlerbehebung
Stereomikroskop-Beleuchtung lässt sich nicht einschalten.	Netzverbindung unterbrochen. Netzschalter nicht eingeschaltet.	Netzverbindung prüfen bzw. herstellen. Netzschalter an der Rückseite des Stereomikroskops einschalten.
	Netzteil defekt.	Netzteil tauschen, siehe Kapitel 5.2 auf Seite 35
Vertikales Auflicht leuchtet nicht.	Anschlusskabel RJ-12 nicht eingesteckt.	RJ-Stecker korrekt einstecken, siehe Kapitel 3.2 bzw. 3.3 auf den Seiten 21 und 23
Zusätzliche Auflicht-Beleuchtungen leuchten nicht.	Anschlusskabel RJ-12 nicht eingesteckt. Auflicht nicht eingeschaltet bzw. herunter gedimmt.	RJ-Stecker korrekt einstecken, siehe Kapitel 3.2 bzw. 3.3 auf den Seiten 21 und 23 Drehknopf Bild 20/1 mehrfach drücken und drehen, um Auflicht einzuschalten und hoch zu regeln, siehe Kapitel 4.2 auf Seite 28
Durchlicht leuchtet nicht.	Durchlicht nicht eingeschaltet bzw. herunter gedimmt.	Druck-/Drehknopf Bild 25/2 drücken und drehen, um Beleuchtung einzuschalten und hoch zu regeln, siehe Kapitel 4.3 auf Seite 32
	Durchlicht nicht angeschlossen.	Stativ K EDU bzw. K LAB öffnen und gemäß, siehe Kapitel 5.2.3 auf Seite 37 Steckverbinder der LED-Beleuchtung anschließen.
Durchlicht verschmutzt oder Schalthebel nicht bedienbar.	Flüssigkeiten oder Fremdkörper in der Durchlichteinheit.	Stativ K EDU bzw. K LAB öffnen, reinigen bzw. Fremdkörper entfernen, siehe Kapitel 5.2.3 auf Seite 37
Mikroskopträger sinkt selbstständig ab.	Gängigkeit des Fokussiertriebs zu leicht eingestellt.	Gängigkeit des Fokussiertriebs einstellen, siehe Kapitel 3.2 auf Seite 21

Beim Auftreten anderer Fehler oder Rückfragen zur Fehlerbehebung wenden Sie sich bitte an Ihre ZEISS-Vertretung.

6.3 Abbildungsverzeichnis

Bild 1	Warn- und Hinweisschilder am Gerät.....	7
Bild 2	Warnschilder und Austrittsöffnungen für LED Strahlung.....	7
Bild 3	Mikroskopsystem Stemi 305.....	9
Bild 4	Stemi 305 EDU Mikroskop-Set.....	10
Bild 5	Stemi 305 LAB Mikroskop-Set.....	10
Bild 6	Stemi 305 MAT Mikroskop-Set.....	10
Bild 7	Schnittstellen am Stemi 305 mit Stativ K LED (schematisch).....	11
Bild 8	Vorsatzoptiken Stemi 305 (Beispiel).....	11
Bild 9	Abdeckkappen entfernen.....	21
Bild 10	Stereomikroskop aufstellen.....	22
Bild 11	Gängigkeit des Fokussiertriebs einstellen.....	22
Bild 12	Spot-Leuchte montieren.....	23
Bild 13	Ringleuchte auf Mikroskopkörper montieren.....	24
Bild 14	Ringleuchte auf Vorsatzoptik 3 montieren.....	24
Bild 15	Externe faseroptische Beleuchtung montieren.....	25
Bild 16	Okularplatte einsetzen.....	25
Bild 17	Stereomikroskop anschließen.....	26
Bild 18	Stereomikroskop einstellen.....	27
Bild 19	Okulare einstellen.....	27
Bild 20	Vertikalbeleuchtung einstellen.....	28
Bild 21	Spot-Leuchte einstellen.....	29
Bild 22	Doppel-Spotleuchte.....	29
Bild 23	Ringleuchte.....	30
Bild 24	Controller K LED.....	31
Bild 25	Durchlichtmodul im Stativ K EDU.....	32
Bild 26	Durchlichteinheit im Stativ K LAB.....	33
Bild 27	Netzteil wechseln.....	35
Bild 28	Stativabdeckplatte Stativ K EDU öffnen.....	36
Bild 29	Stativabdeckplatte Stativ K LAB öffnen.....	37

6.4 Stichwortverzeichnis

A

Abmessungen	18
Anschließen.....	26
Aufbau.....	21
Auflichtbeleuchtung	23
Auflichtbeleuchtung einstellen	28
Augenfehlerkompensation.....	27
Augenmuschel	25
Ausschalten.....	26
Austrittsöffnungen für LED Strahlung	7

B

Bedienung.....	27
Beleuchtungsintensität.....	29, 30
Beleuchtungszustände der Ringleuchte.....	30
Beschreibung.....	9
Bestimmungsgemäße Verwendung	9
Brillenschutzring	25

C

Controller K LED.....	31
-----------------------	----

D

Dioptrienausgleich	27
Doppelspot-Leuchte.....	23
Dunkelfeld.....	32
Durchlichtbeleuchtung einstellen.....	32
Durchlichteinheit im Stativ K LAB	33
Durchlichtmodul im Stativ K EDU	32

E

Einleitung	3
Einschalten	26
Einstellen	
Auflichtbeleuchtung.....	28
Durchlichtbeleuchtung	32
Stereomikroskop	27

F

Faseroptische Beleuchtung.....	25
Fehlersuche	41

G

Gängigkeit des Fokussiertriebs	22
Garantiehinweise.....	8
Gerätesicherheit	4

H

Hellfeld	32
Hinweise, allgemein.....	3, 21

Hinweisschilder	7
-----------------------	---

I

Inhalt	1
--------------	---

L

LED-Klasse	4
------------------	---

M

Masse	18
Mikroskopsystem	9
Mischlicht	28

O

Okular.....	27
Okularplatte.....	25

P

Pflege	34
Produktentsorgung.....	39

R

Ringleuchte	24
-------------------	----

S

Schnittstellen.....	11
Schwenkarmstativ	31
Service	38
Sicherheit.....	4
Spot-Leuchte.....	23
Stereomikroskop einstellen	27
Stichwortverzeichnis	43
Systemübersicht	12

T

Technische Daten	18
------------------------	----

U

Umgebungsbedingungen	19
Umgebungstemperatur	19

V

Verschleißteile	38
Vertikalbeleuchtung	28
Verwendung	9
Vorsatzoptik 3.....	24

W

Warnschilder	7
Wartung	35

