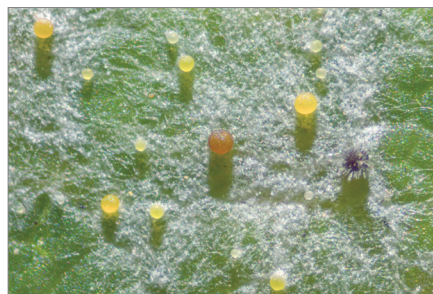


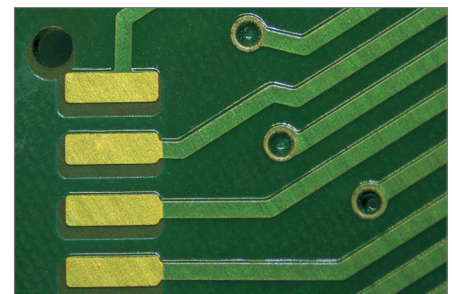


## ZEISS Stemi 508

### Your Apochromatic Stereo Microscope with 8:1 Zoom



*Powdery mildew on Norway maple, cleistothecia, Spot K LED, oblique reflected light, zoom 2.0x*



*Printed circuit board, quarter ring segment, north, zoom 1.25x*

#### Highlights

Stemi 508 is compact, reliable and equipped with optics and mechanics designed for heavy workloads. With the large 36 mm object field you always keep the overview of your sample. The 8:1 zoom then allows to bring details up to 50x magnification. You even have larger samples? Add interchangeable optics and observe an area of up to 122 mm, making Stemi 508 a top performer in its class. Stemi 508 offers better ergonomics than any other Greenough-type stereo microscope: The low viewing angle of 35° lets you keep a relaxed posture even after hours of work.

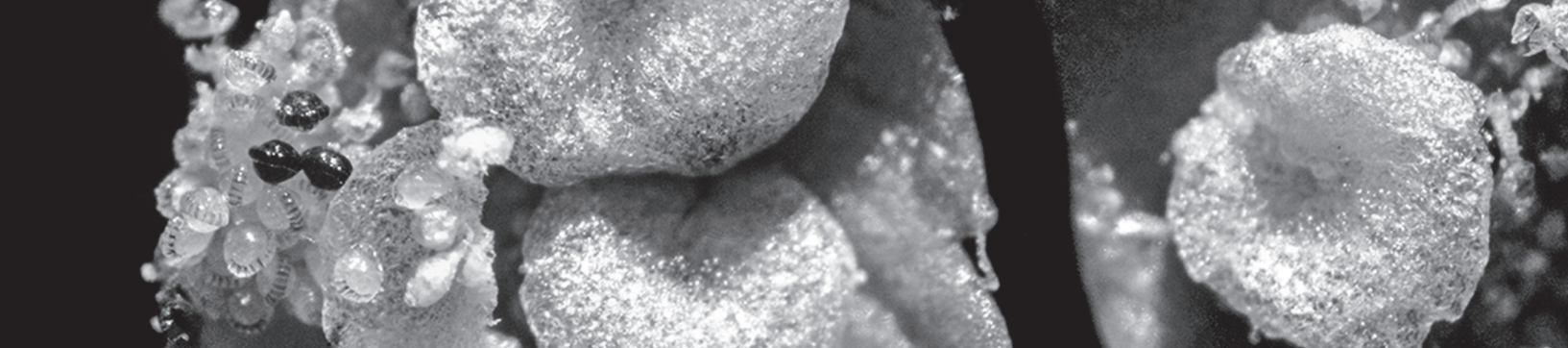
With Stemi 508 you observe and document your samples exactly as they are: rich in detail, sharp in focus and free from distortion or color fringes. Stemi 508 is your robust all-rounder for everyday lab work and industrial inspections: accurate, ergonomic – and always easy to use.

- Large zoom range 8:1
- Apochromatic corrected zoom system and interchangeable front optics
- Integrated LED illumination for reflected, transmitted and mixed light
- Fiber optic cold light source with various light guides and accessories for high brightness and special contrasts.
- Combine boom or tilt-arm stands with low mag front optics to observe large samples
- Use Stemi 508 doc for documentation – phototube with 100/0 split to the right, 0,5x camera adapter with 60N interface included. Choose from all ZEISS Axiocam cameras, SLR and video cameras
- Get direct access to HDMI monitors, work with ZEN imaging software on PC – or snap and share results with ZEISS iPad App Labscope

#### Created for Your Applications

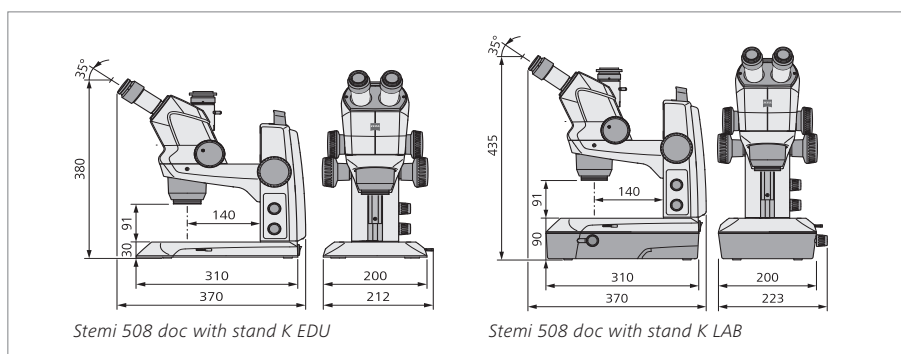
- Study and dissect model organisms, such as zebrafish, in oblique transmitted light in your embryology lab.
- Isolate egg cells before fertilization at 120x magnification in your IVF Lab
- Observe, document and identify insects – for example to map biotopes.
- Inspect PCBs in true color using cold light source and shadowfree ringlight
- Rotate a quarter ring LED segment to quickly inspect your workpiece for scratches or defects
- Grade diamonds with impressive image contrast and no color fringes
- Assess the surface quality of paper or engravings under grazing light with line light S
- Examine large workpieces, such as motor parts, using ball bearing stand SDA





# ZEISS Stemi 508

## Your Apochromatic Stereo Microscope with 8:1 Zoom



### Choose the Best Illumination:

#### Reflected Light

- Double arm gooseneck – enhanced contrast of 3D shaped objects through distinct shadow effects.
- Ringlights – shadow-free illumination with less stereo effect, e.g. inspect printed circuit boards.
- Ringlights and polarization – stunning color contrast by reducing glare.
- Line light – grazing light for flat structured surfaces.
- Vertical light – illuminating sample crevices.
- Diffusor – giving soft light to observe glary or shining objects.
- Area light – combining soft light and shadow effect.

#### Transmitted Light

- Brightfield – Look at colored objects
- Darkfield – See object structures bright against a dark background
- Oblique – Observe uncolored transparent objects in relief contrast
- Polarization – study birefringent objects, detect stress in glass or plastics

Technical Data	
Operation concept	Stereo microscope, Greenough design
Zoom bodies	Stemi 508 (binocular, incl. eyepieces 10x/23 Br. foc) Stemi 508 doc (phototube, 100%, right path, incl. eyepieces 10x/23 Br. foc, interchangeable camera adapter 0.5x)
Magnification range	6.3x to 50x with basic version (10x eyepieces, no front optics) all magnifications from 2x to 250x (when using interchangeable optics)
Maximum resolution	225 Lp/mm basic version; up to 450 Lp/mm with interchangeable optics
Working distance	92 mm basic version; up to 287 mm using interchangeable optics
Maximum object field	36 mm basic version; up to 122 mm using interchangeable
Interface to Stemi mount	76 mm (international)
Interchangeable eyepieces	PL10x/23 Br. foc (always included), PL16x/16 Br.foc, W25x/10 foc
Stemi carriers for column 32 mm	Stemi mount with drive, stemi mount tiltable 0-90°
Bench top stands (* = footprint as Model K)	Model K, 200 x 310 mm, column 250 mm with drive, travel 145 mm, Model K MAT* + reflected light LED electronics, ESD feature: antistatic Model K EDU* + reflected light LED electronics, flat TL base (brightfield/darkfield) Model K LAB* + reflected light LED electronics, mirror TL base (bright/dark/oblique) Model N, 440 x 360 mm, column diam. 32 mm/height 350 mm
Boom stands	Model A, double arm model SDA, tilting arm model U
Stages	Sliding stage circular, ball-and-socket stage, rotating pol stage
LED illuminators K	Spot K LED, double spot K (selfcarrying), segmentable ringlight K
Direct LED illuminators	VisiLED ringlights, segmentable; double arm LED spot for column 32
Cold light sources	CL 4500 LED (CRI 90), CL 1500 Hal (150W halogen), CL 6000 LED
Fiber optic light guides	Flexible spots (adapted by articulating arms), double arm gooseneck, ringlights for bright- or darkfield, line light, vertical light, diffusor, area light
Transmitted light illuminators	Transmitted light mirror units for stand K or N (BF, DF, Oblique)
Polarization	Polarization filters for ringlights, spots and transmitted light units



microscopy@zeiss.com  
www.zeiss.com/stemi508



MicroscopeWorld

