

# Quality made simple. With AI by ZEISS.



## **ZEISS Axiovert 5 digital**

Your All-in-One Cell Imaging System.

[zeiss.com/axiovert-digital](https://zeiss.com/axiovert-digital)



Seeing beyond

# ZEISS Axiovert 5 digital

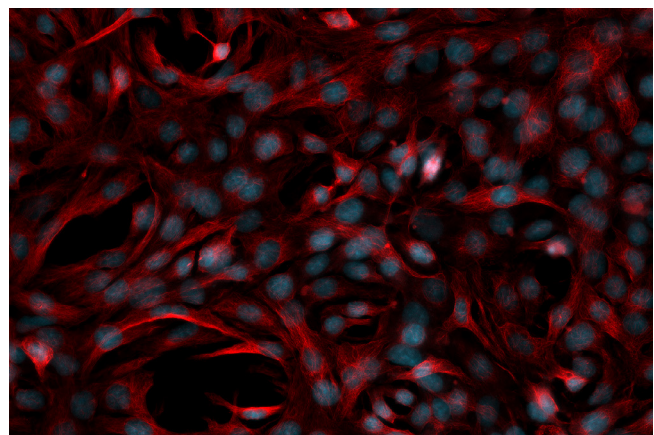
Your All-in-One Cell Imaging System.

Artificial Intelligence (AI) is already helping us with our daily lives, from automated driving and home assistants to securing smartphones with facial recognition. Axiovert 5 digital brings AI into your cell lab to ease your daily work. It will make your processes more efficient and your results more reproducible. Stay relaxed, even when there is a lot going on around you. Just push a single button and your results will appear in real time.

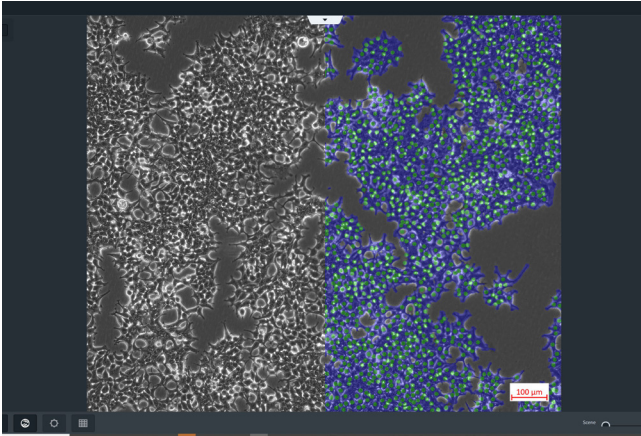


## Work outside the box.

Experience the full advantages of an all-in-one microscope system. From scientific routine to basic research, even novice users are guaranteed to produce brilliant images with Axiovert 5 digital. All you have to do is turn on your system and start working. Don't worry about settings or adjustments – they're already done. And don't be afraid of how your cells are getting along in a closed box. You will always have an eye on them.



2-channel fluorescence image: nuclei in blue, tubulin in red.



**Save time and let AI do the work.**

With Axiovert 5 digital it's this easy to save time — time that could be crucial to the vitality of your cells. Save time setting up the system, time setting up acquisition parameters, time training new colleagues, time acquiring images — and time going from images to results. Axiovert 5 digital uses artificial intelligence to optimally support daily workflows. Cell counting and cell confluency are automatically determined by readily available AI modules. AI is now accessible to everyone in your lab: no training or pre-knowledge required. Results are available instantly with just one click and they are absolutely reproducible. Relax and enjoy watching AI do the work for you.



**Simply made for you. And you.**

Axiovert 5 digital is your perfect fit for multi-user environments as proper system operation is supported by design. This all-in-one imaging system comes with an intuitive operating concept. One click on the snap button is sufficient to trigger:

- Image acquisition as well as multi-channel fluorescence image acquisition of up to 5 channels
- The AI cell counting and confluency workflow: acquire images and get them analyzed instantly
- Video recording

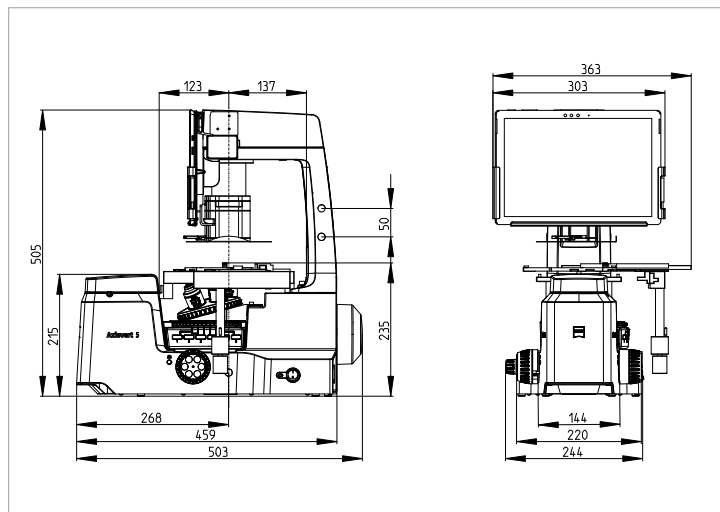
Axiovert 5 digital combines proven optical quality with ease of use.



**Expand Your Possibilities**

- Adjust the tablet position of Axiovert 5 digital in height and tilting angle, independently. Even in standing position you can work in an ergonomic way.
- The tablet holder is flexible – so you can upgrade to a future tablet generation anytime.
- A clamp protects the tablet of unauthorized removal.
- Work via a cable connection or wirelessly.
- With the contrast slider you can easily switch between brightfield and phase contrast.
- Use the light shield and get crisp fluorescence images, even in ambient light conditions.

# Technical Data



## Weight and sizes

### ZEISS Axiovert 5 digital

Dimensions	503 × 363 × 505 (L × W × H in mm)
Weight	18.2 kg

## Air conditioning and quality

Temperature range for operation with indicated performance (24 h per day, regardless of whether the microscope is in operation or switched off)	5 – 40 °C
Relative humidity	< 80 % at 40 °C
Atmospheric pressure / altitude	800 to 1060 hPa / ≤ 2000 m above sea level
Pollution degree	2

## Mains connection

Nominal AC voltage	L/N/PE 100 to 240 VAC ± 10 %
Nominal frequency	50/60 Hz
Max. current	1.4 A
Rating for microscope stand	24 VDC, 5 A
Protection Class	IP20 (IEC 60529)
Overvoltage category	II

## Integrated illumination system RGB-UV

Color	Wavelength (nm)	Exitable dyes (examples)	Expected lifetime (hrs)
Red	625	Cy5, Alexa 631, TOTO-3	> 60,000
Green	565	Cy3, TRITC, DsRed	> 60,000
Blue	470	eGFP, Fluo4, FITC	> 60,000
UV	385	DAPI, Alexa 405, Hoechst 33258	> 40,000
Cyan (optional)	505	eYFP, Eosin, TOTO-1	> 60,000
Yellow (optional)	590	mCherry, Alexa 568, mPlum	> 60,000

## Carl Zeiss Microscopy GmbH

07745 Jena, Germany  
 microscopy@zeiss.com  
 www.zeiss.com/axiovert-digital



MicroscopeWorld

info@microscopeworld.com | 800-942-0528