

X-Cite®

Fluorescence Illumination • In Control

X-Cite 110LED

Simple Yet Versatile Broadband Illumination

Compact white light LED source for
fluorescence imaging applications

Spectral output for routine DAPI, FITC/GFP,
mCherry, Cy5 imaging and other applications

Convenient light guide or fiber delivery

Variety of control options

Quality and reliability of X-Cite®

“ We tested the X-Cite 110LED on our white light Nipkow disk confocal system. The images were bright! Amazingly the fluorescence was superior to our 300W Xenon, and the system was very easy to use. ”

Dr. Tim Bromage
Director, Hard Tissue
Research Unit, NYU

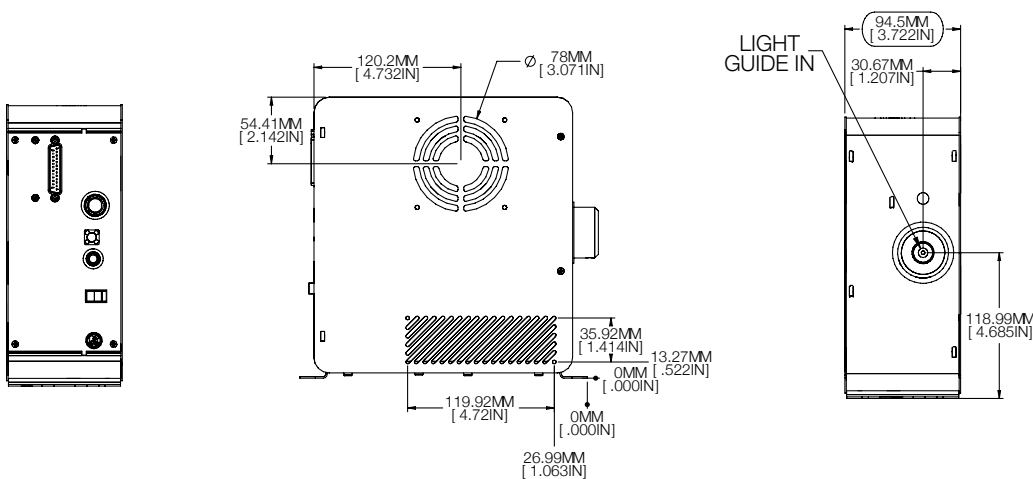


FEATURES	BENEFITS
LED Technology	Efficiency, stability, instant ON/OFF and long lifetime
White Light Excitation	Excitation of commonly used fluorophores such as DAPI, GFP/FITC, mCherry/Texas Red, and Cy5
Light Guide Delivery	Flexibility in light delivery as well as unit location
Multiple Control Options	Simple operation through USB, TTL or speedDIAL
Small Footprint	Minimal space requirement; less bench top real estate used
Optimized Thermal Management	Maximum LED output, lifetime, stability and reliability
X-Cite Coupling Optics (optional)	Efficient optical output and uniformity with the highest performing coupling optics available

TECHNICAL SPECIFICATIONS

Wavelength Range	360-660 nm
LED Peaks/FWHM	385/30 nm, 475/40 nm, 560/80 nm, 640/40 nm
External Power Supply	Universal input 100-240 VAC, 50/60 Hz
Power Consumption	160 W
LED ON/OFF Response Times	100 μ s TTL / 1 ms USB
Control Options	TTL compatible – ON/OFF speedDIAL – ON/OFF, 1% intensity increments RS-232 commands (SDK available), USB
I/O Connections	BNC input USB (B-type)
Dimensions (W x H x D)	95 mm x 230 mm x 212 mm (3.7" x 9.1" x 8.4")
Weight	3 kg (6.6 lbs)
Certifications	CE, RoHS
Warranty	LEDs – 25,000 hours or 3 years All other X-Cite 110LED components – 1 year, parts and labor (excluding LLG)

MECHANICAL DRAWINGS



EXCELITAS
TECHNOLOGIES

www.excelitas.com
x-cite@excelitas.com

2260 Argentia Road
Mississauga, Ontario
L5N 6H7 CANADA
Telephone: +1 905 821-2600
Toll Free (USA and CAN): +1 800 668-8752
Fax: +1 905 821-2055



www.MicroscopeWorld.com
800-942-0528
info@microscopeworld.com