

KL 300 LED Light Source

for stereo microscopy



The KL 300 LED is a compact LED light source for fiber optics, offering simple operation combined with excellent value for money. These qualities make it ideally suited to routine inspections and education.

Features:

- Compact design
- Directly mountable to stand or column
- Wide range power supply with international clip plug system

Advantages:

- Maximum light intensity of 80 lm
- Continuous dimming from 0 to 100 %
- Optimized energy consumption (5W)
- Maintenance-free LED engine with 50.000 operating hours
- Fan-less convection cooling enables silent operations

Technical Specifications:

General		
Part No.		120.300
Dimensions (W x D x H)	(mm) / (inch)	107 x 114 x 61 / 4.2" x 4.5" x 2.4"
Weight	(kg)	Approx. 0.35
Cooling		Convection
Electrical		
Operating voltage, frequency		100 – 240 V ~, 50 – 60 Hz
Input voltage	(V)	9
Power consumption	(VA)	max. 5
Protection class		II
Overvoltage category		II
Lamp type		1 High power LED white
Lamp lifetime	(h)	50,000 ¹
Light Output		
Luminous flux	(lm)	80 ²
Color temperature	(K)	Approx. 5,600
Active light guide diameter	(mm) / (inch)	Max. 6/max. 0.23"
Certification marks		
Marking		CE
EMC-class		B

¹ max. decline of light output to 70% of origin level

² at the output of SCHOTT fiber optic light guide, 1-arm, flexible, Ø 4.5 mm active, length 600 mm

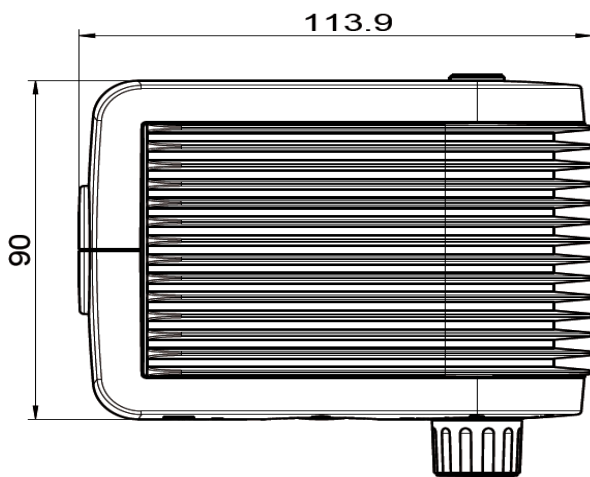
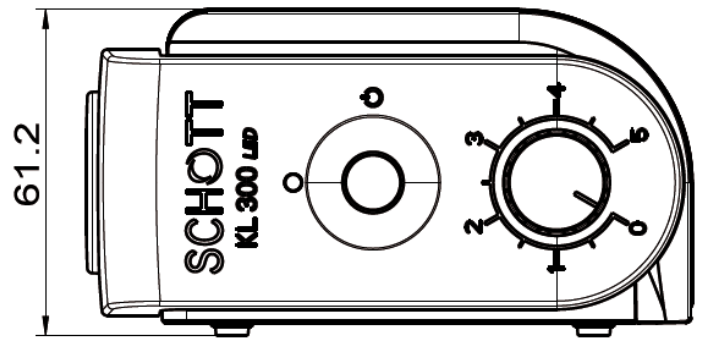
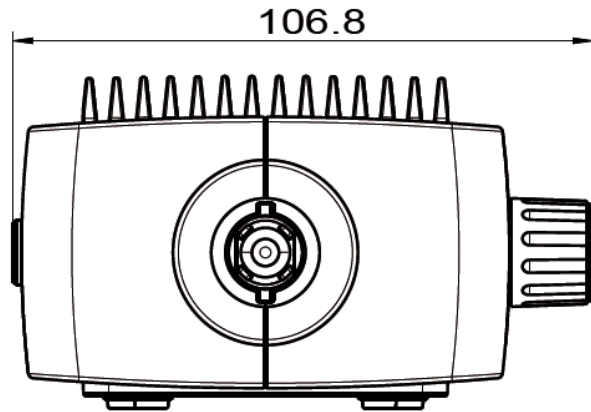
We provide a variety of accessories for our KL Series. For details please refer to our system diagrams or according datasheets.

Accessories:

	Part No.
Base	158.340
Mounting bracket (Base also needed)	120.250
Bracket for column Ø 20 mm (0.78")	120.220
Bracket for column Ø 25 mm (0.98")	120.225
Bracket for column Ø 29 mm (1.14")	120.229
Bracket for column Ø 32 mm (1.26")	120.232
Bracket for column Ø 35 mm (1.38")	120.235
Bracket for ZEISS stand K, Stand M	120.240



Dimensions



Pictures are provided for illustration purposes only, and may not provide an accurate reflection of the actual product.



MicroscopeWorld

info@microscopeworld.com | 800-942-0528

All specifications are subject to change without prior notice. This datasheet or any extracts thereof may only be used in other publications with express permission of SCHOTT. © SCHOTT AG

Lighting and Imaging
SCHOTT AG
Hattenbergstrasse 10
55122 Mainz
Germany

Phone: +49 (0) 6131/66-7796
Fax: +49 (0) 6131/66-7850
info.microscopy@schott.com
www.schott.com/microscopy

SCHOTT
glass made of ideas