

# EasyLED Back Light

for stereo microscopy



The EasyLED Back Light integrates high brightness LEDs with controller electronics into the head of the illuminator, offering easy and ergonomic operation. Made with a SCHOTT Opalika® glass surface, it's ideal for transparent specimens

### Features:

- Powerful light density up to 12,000 cd/m<sup>2</sup>.
- Continuous dimming from 0-100%.
- Integrated controller.
- Scratch-resistant surface.

### Advantages:

- Made with SCHOTT Opalika® for perfect homogeneity.
- Easy to use thanks to integrated operational elements.
- Robust design for operation in demanding environments.

## Technical Specifications:

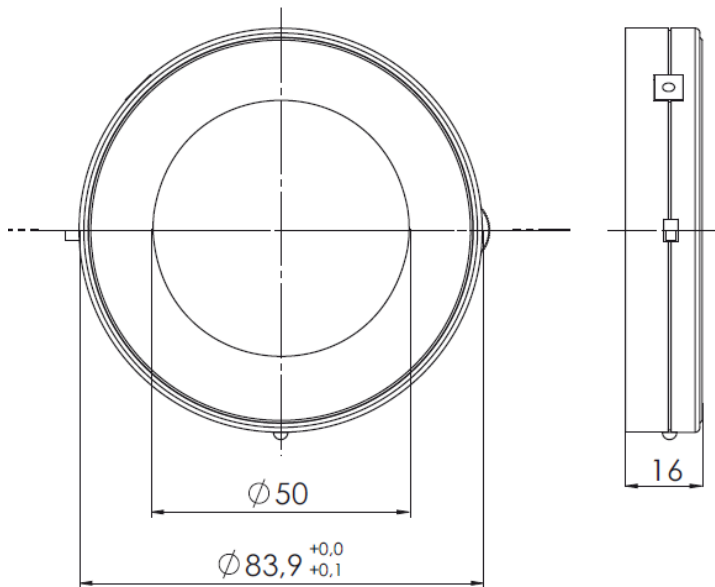
General		
Part No.		600.400
Dimensions – (OD x H)	(mm / inch)	83,9 x 16 / 3.3" x 0.63"
Weight	(kg)	Approx. 0.6
Cooling		convection
Electrical		
Operating voltage, frequency		100 – 240 V ~, 50 – 60 Hz
Input voltage	(V)	12 DC
Power consumption	(VA)	max. 6
Protection class		II
Overvoltage category		I
Lamp type		High Power LEDs
Lamp lifetime	(h)	50.000 <sup>1</sup>
Lighting information		
Luminance, max.	(cd/m <sup>2</sup> )	12.000
Color temperature	(K)	Approx. 5.600
Certification marks		
Marking		CE, (power supply unit CE, UL, PSE)
EMC-class		B

<sup>1</sup> max. decline of light output to 70% of origin level

We provide a variety of accessories for our EasyLED Series. For details please refer to our system diagrams or according datasheets.



## Dimensions



Pictures are provided for illustration purposes only, and may not provide an accurate reflection of the actual product.



MicroscopeWorld

info@microscopeworld.com | 800-942-0528

All specifications are subject to change without prior notice. This datasheet or any extracts thereof may only be used in other publications with express permission of SCHOTT. © SCHOTT AG

Lighting and Imaging  
**SCHOTT AG**  
Hattenbergstrasse 10  
55122 Mainz  
Germany

Phone: +49 (0) 6131/66-7796  
Fax: +49 (0) 6131/66-7850  
info.microscopy@schott.com  
www.schott.com/microscopy

**SCHOTT**  
glass made of ideas