

# ColdVision Ring Lights

for ColdVision light sources



SCHOTT ColdVision Ring lights offer absolute shadow-free illumination. Using a range of diameters and mechanical adapters, the ring lights can be configured to fit many different objective sizes.

### Features:

- The "Universal Ring Light" fits microscope and camera objectives from 33 to 81 mm with appropriate clamps
- 4" Ring Light is available with randomized fiber bundle for optimum uniformity.
- With housing made of rugged, black anodized aluminum, and the fiber bundle protected with flexible metal PVC sheathing, SCHOTT Ring Lights are tough, dependable and long-lasting.

### Advantages:

- Annular Ring Lights offer absolute shadow-free illumination.
- Vertical exit bundle option increases work space and prevents the bundle from interfering with surrounding objects.
- ESD (Electro Static Discharge) option is available.

### Mini, Midi and Maxi Ring Light

Description	Part No.	Working distance (FWD)	Objective Diameter	Inner Ø (ID)	Outer Ø (OD)	Bundle length	Polarizer / Analyzer
Mini Ring Lights	A08650*	0.5" - 1.5" (13 - 38 mm)	19 to 32.5 mm	1.28" (32,5 mm)	2" (50.8 mm)	40" (1016 mm)	A08632
	A08660* <sup>1</sup>	1.5" - 4" (38 - 102 mm)		1.28" (32,5 mm)	2" (50.8 mm)		A22032*
Midi Ring Lights	A08630*	1.25" - 3.5" (32 - 89 mm)	38 to 53 mm	2.09" (53,1 mm)	2,31" (58,7 mm)		A08632
Maxi Ring Lights	A08700* <sup>23</sup>	2" - 8" (51 - 203 mm)	N/A	4" (102 mm)	9.98" (127 mm)	30" (762 mm)	A08705
	A08710* <sup>3</sup>	2.5" - 4.5" (64 - 114 mm)	N/A	7.5" (191 mm)	8.95" (227 mm)	40" (1016 mm)	A08712*

### 66mm & Universal Ring Light

Description	Part No.	Exit	Working distance (FWD)	Objective Diameter	Bundle length (K)	Polarizer / Analyzer
66 mm Ring Light	A08625	Standard	1.5" - 6" (38 - 152mm)	66mm	33" (838mm)	A08615 A08627 <sup>5</sup>
Universal Ring Light	A08600	Standard	1.5" - 6" (38 - 152 mm)	1.9" - 2.4" (47 - 62 mm)	33" (838 mm)	A08615

### Darkfield Ring Light

Description	Part No.	Exit	Working distance (FWD)	Inner Ø (ID)	Outer Ø (OD)	Bundle length (K)
Darkfield Ring Light	A22780 <sup>4</sup>	Standard	0" - 0.25" (0 - 6.35mm)	4.03" (102mm)	5.25" (134mm)	30" (762mm)

\* Made-to-order products

<sup>1</sup> 29% more fiber than A08650 ring light

<sup>2</sup> Randomized fiber bundle maximizes uniformity

<sup>3</sup> Requires an adapter (A08931) due to the size of the input

<sup>4</sup> Remove the reflector ring to create a long working distance Ring Light (A08700).

<sup>5</sup> If using the A08626 adapter, use A08627 polarizer/analyzer.

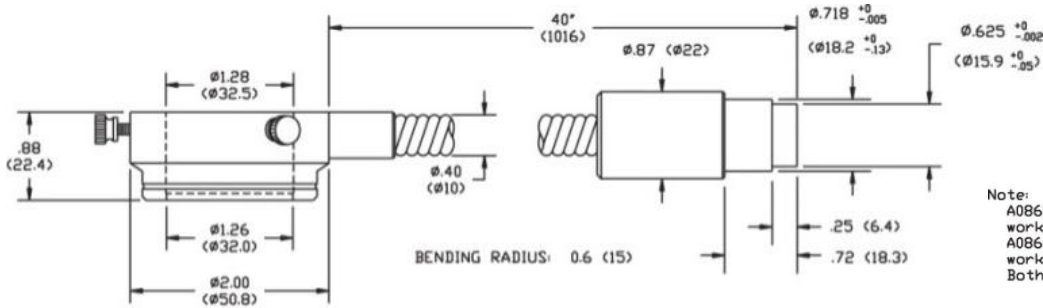
Custom configurations available. Compatible accessories available. See ColdVision-Accessories data sheet.

**Warning :** This product is manufactured with glass fiber. Not for use in cable/hose carrier. Call SCHOTT to discuss moving cable/hose carrier applications.

**SCHOTT**  
glass made of ideas

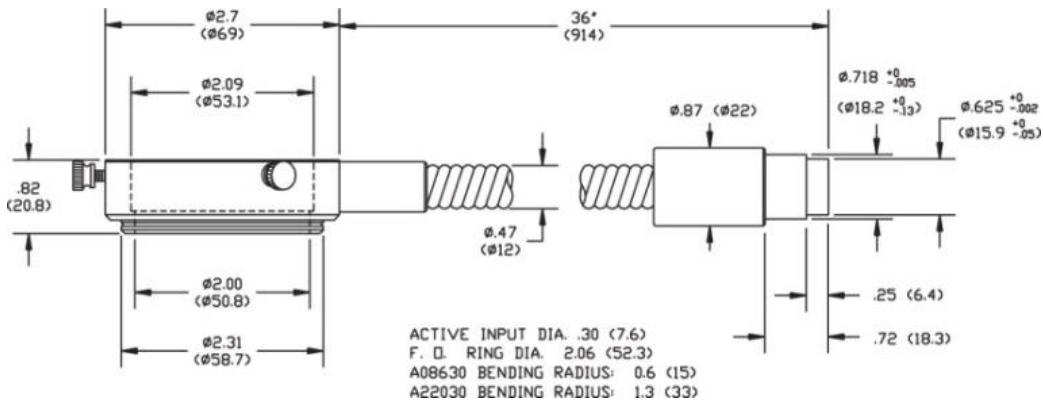
## Mini, Midi and Maxi Ring Lights: Dimensions

Ringlight Input: Black Anodized Aluminum or Conductive Finish  
 Bundle Sheathing: PVC Covered Metal Tubing or Stainless Steel

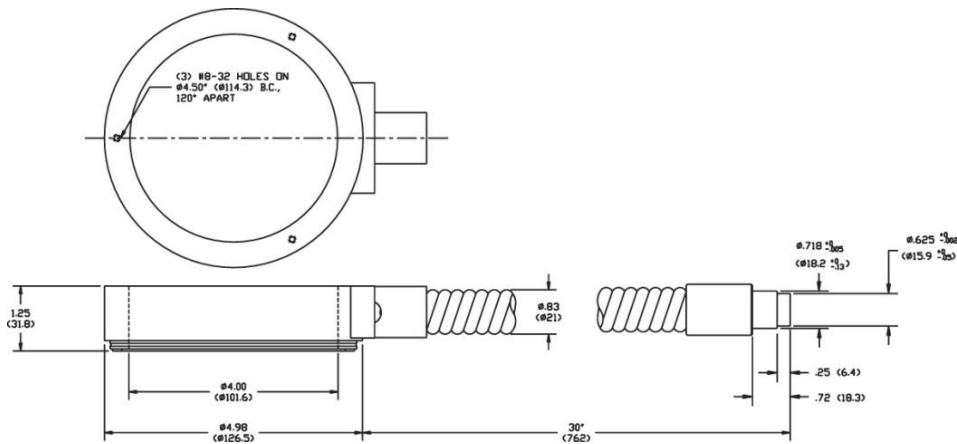


Note:  
 A08650 has an active fiber dia. of .22 (5.6) for a working distance of .5 to 1.5' (13 to 38mm).  
 A08660 has an active fiber dia. of .25 (6.4) for a working distance of 1.5 to 4' (38 to 102mm).  
 Both have F. D. ring dia. of 1.32 (33.5).

### A08650 & A08660 - 19 / 32.5 mm Ring Lights



### A08630 - 38 / 53 mm Ring Light

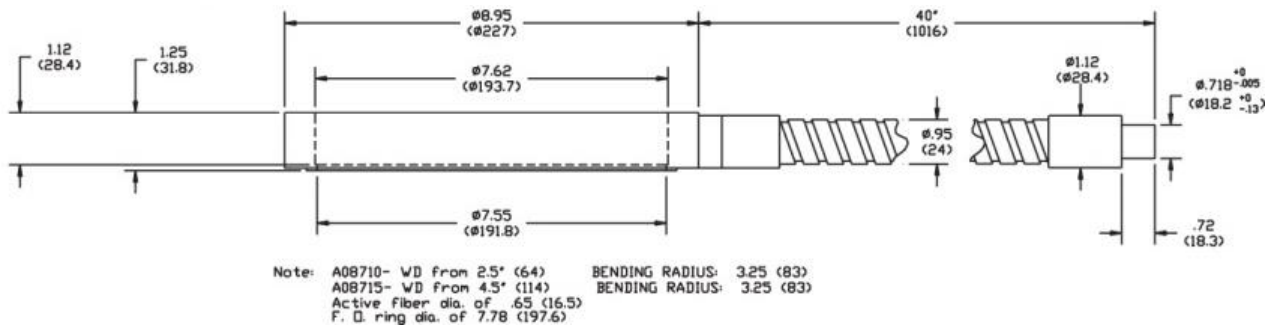


### A08700 - 4" Ring Light

Dimensions in ( ) are in mm

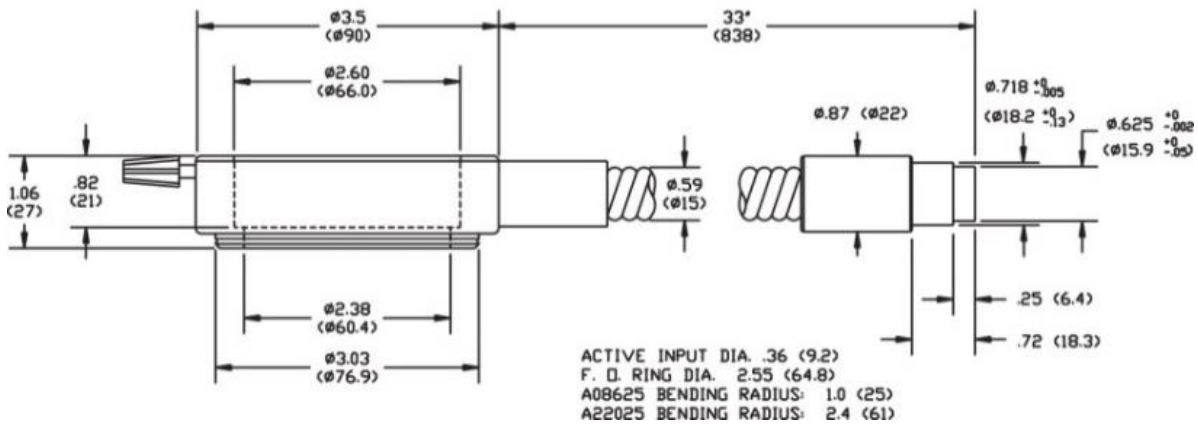
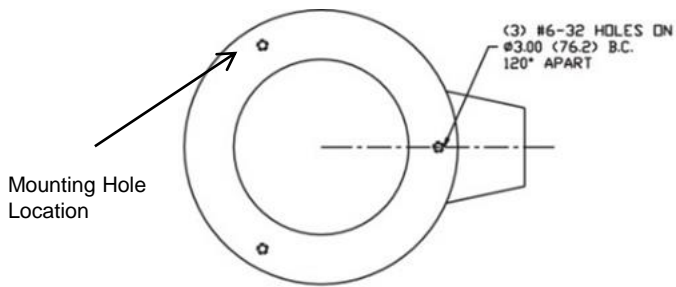
**Warning:** This product is manufactured with glass fiber. Not for use in cable/hose carrier. Call SCHOTT to discuss moving cable/hose carrier applications.

**SCHOTT**  
 glass made of ideas



A08710 - 8" Ring Light

58 and 66mm Ring Light: Dimensions



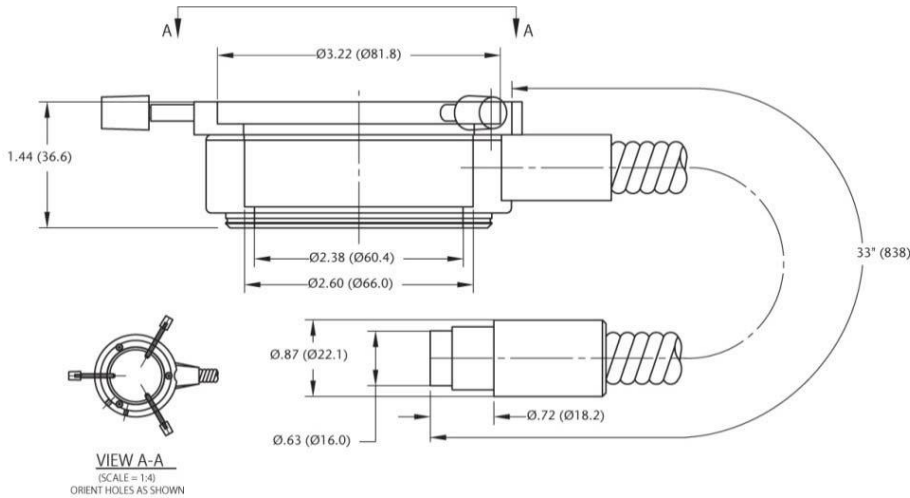
A08625

Dimensions in ( ) are in mm

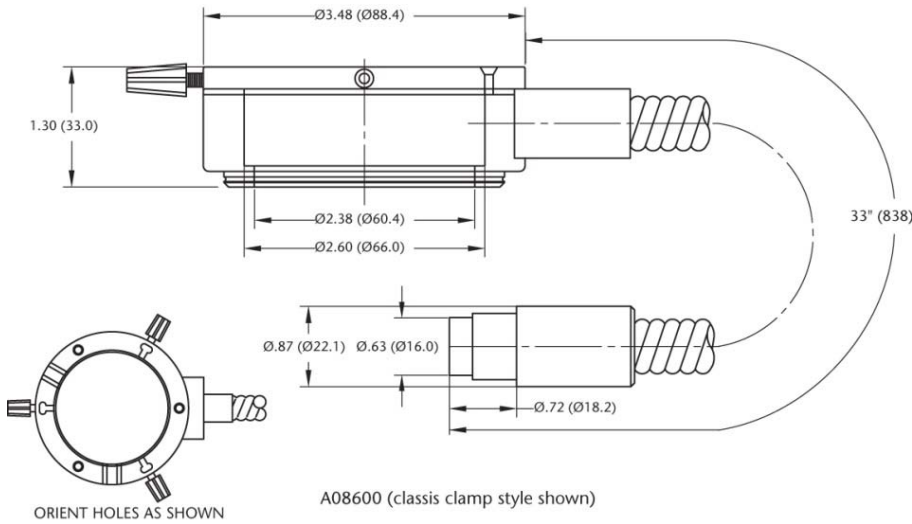
**Warning :** This product is manufactured with glass fiber. Not for use in cable/hose carrier. Call SCHOTT to discuss moving cable/hose carrier applications.

**SCHOTT**  
 glass made of ideas

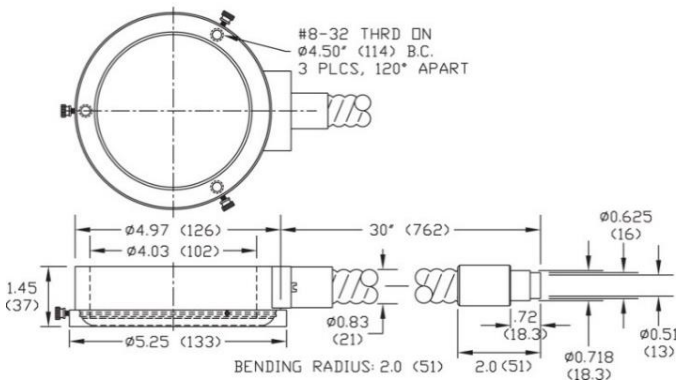
## Universal Ring Light: Dimensions



## A08600.1 with new clamp style



## Darkfield Ring Light: Dimensions



A22780

**Warning :** This product is manufactured with glass fiber. Not for use in cable/hose carrier. Call SCHOTT to discuss moving cable/hose carrier applications.

All specifications are subject to change without prior notice. This datasheet or any extracts thereof may only be used in other publications with express permission of SCHOTT. © SCHOTT North America, Inc.



MicroscopeWorld

info@microscopeworld.com | 800-942-0528

Dimensions in ( ) are in mm

Lighting and Imaging  
**SCHOTT North America, Inc.**  
122 Charlton Street  
Southbridge, MA 01550  
USA  
Phone: +1 (508) 765-9744  
Fax: +1 (508) 765-1299  
lightingimaging@us.schott.com  
www.us.schott.com/coldvision

**SCHOTT**  
glass made of ideas