

Motic[®]
MORE THAN MICROSCOPY

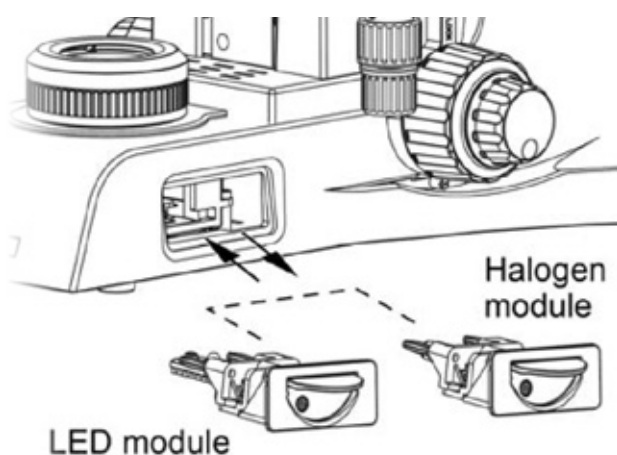
PA43 Series

Affordable Quality Superior
Microscopy Solution



P
A
4
3

HALOGEN / LED INTERCHANGEABLE ILLUMINATION SYSTEM



Motic has implemented a full interchangeability between halogen light source and LED modules in PA43.

The importance of LEDs as safe and long-term illumination source has become increasingly the norm in clinical and research microscopy environments. Nevertheless, experienced users may still prefer the “warm” halogen illumination with a large portion of long wavelength. In PA43 the user can choose his illumination source freely.

FULL POWER TRANSMITTED KOHLER ILLUMINATION

Our PA43 microscopes come equipped with a Full Kohler illumination. If the user prefers Halogen light source, intelligent heat-dissipating technology avoids an overheating of microscope and sample. The lifespan of the Halogen bulb thus is prolonged significantly.

ENVIRONMENTALLY FRIENDLY ECO FUNCTION

An automatic power-saving mode is engaged whenever an operator leaves temporarily. This automatic shutdown protects your sample from heat, extends the lifetime of the bulb, and saves energy, so reducing operational costs.

HOMOGENEOUS ILLUMINATION WITH IL FUNCTION

Image quality and thus working efficiency are increased by providing a consistent and even brightness of the illumination with our IL function.

Once engaged, the brightness level will be reactivated in case the nosepiece is rotated for the last lens.



SPECIFICATIONS

PA43-BIO

PA43-PH

OPTICAL SYSTEM		
Color Corrected Infinity Optical System(CCIS)	▲	▲
OBSERVATION TUBE		
Trinocular - Light distribution(100:0/20:80), Incline angle 30°	▲	▲
EYEPIECES		
Wide-Field WF 10X/22, Diopter adjustable +/- 5 dpt	▲	▲
REVOLVING NOSEPIECE		
Coded Quintuple(5)	▲	▲
OBJECTIVES		
Plan UC 4X	▲	▲
Plan UC 10X	▲	
Plan UC 20X	○	
Plan UC 40X	▲	
Plan UC 50X/1.0(oil)	○	○
Plan UC 60X	○	
Plan UC 100X (oil)	▲	▲
Plan UC PH Ph10X-Ph1		▲
Plan UC PH Ph20X-Ph2		○
Plan UC PH Ph40X-Ph2		▲
Plan UC PH Ph100X (oil)-Ph3		○
FOCUS		
Focusing stroke 25mm	▲	▲
Fine:0.1mm/ resolution (1μm)	▲	▲
Upper limit stopper, Torque adjustment ring	▲	▲
CONDENSER		
N.A 0.9/1.25 Abbe condenser with slider slot	▲	▲
RACKLESS STAGE		
180x170mm surface, 80x55mm movement, coaxial controls	▲	▲
TRANSMITTED ILLUMINATION		
Kohler illumination system	▲	▲
Halogen 6V 30W and LED 3W	▲	▲
CONTRAST TECHNIQUES		
Brightfield	▲	▲
Phase contrast	○	▲
Polarization	○	○
Darkfield	○	○

■ Main differences between models

▲ Standard ○ Optional

Motic®

Canada | China | Germany | Spain | USA | Hong Kong



www.motic.com

EN | ES | DE

Motic Instruments (Canada)

130 - 4611 Viking Way, Richmond, BC V6V 2K9 Canada
Tel: 1-877-977 4717 | Fax: 1-604-303 9043

Motic Deutschland (Germany)

Christian-Kremp-Strasse 11, D-35578 Wetzlar, Germany
Tel: 49-6441-210010 | Fax: 49-6441-210 0122

Motic Hong Kong Limited (Hong Kong)

Unit 2002, L20, Tower Two, Enterprise Square Five,
38 Wang Chiu Road, Kowloon Bay, Kowloon, Hong Kong
Tel: 852-2837 0888 | Fax: 852-2882 2792

Motic Europe (Spain)

C. Les Carts 12, Pol. Ind. Les Carts. 08349 Cabrera de Mar, Barcelona, Spain
Tel: 34-93-756 62 86 | Fax: 34 93 756 6287

Motic USA

6508 Tri-County Parkway, Schertz, TX 78154, United States
Tel: 800 275 3716 | Fax: 200 590 1104

*CCIS® is a trademark of Motic Incorporation Ltd.

Motic Incorporation Limited Copyright © 2002-2021. All Rights Reserved.

Design Change: The manufacturer reserves the right to make changes in instrument design in accordance with scientific and mechanical progress, without notice and without obligation.

Designed in Hong Kong

Updated: 15.06.2022



Official Distributor:



MicroscopeWorld

info@microscopeworld.com | 800-942-0528

EN | ES | FR | DE | IT | PT

www.motic.com