

# KL 1600 LED Light Source

for stereo microscopy



A standard LED cold light source for fiber optics, the KL 1600 LED is an ideal option for all objects and applications. Its multiple-chip white LED light engine offers an attractive alternative to conventional halogen cold light sources.

### Features:

- Patented white light engine.
- Easy to use fixture mechanism with clamping screw.
- Two-position filter slider.

### Advantages:

- Maximum lighting intensity of 680 lm.
- Continuous dimming from 0-100%.
- Maintenance-free LED engine with 50.000 operating hours.

### Technical Specifications:

General		
Part No.		150.600
Dimensions (W x D x H)	(mm) / (inch)	114 x 231 x 137/4.5" x 9.1" x 5.4"
Weight	(kg)	Approx. 2.45
Cooling		Ultra low-noise fan
Electrical		
Operating voltage, frequency		100 – 240 V ~, 50 – 60 Hz
Input voltage	(V)	24
Power consumption	(VA)	max. 37
Protection class		II
Overvoltage category		II
Lamp type		9 High power LED white
Lamp lifetime	(h)	50,000 <sup>1</sup>
Light Output		
Luminous flux	(lm)	680 <sup>2</sup>
Color temperature	(K)	Approx. 5,600
Active light guide diameter	(mm) / (inch)	Max. 9 / max. 0.35"
Certification marks		
Marking		CE
EMC-class		B

<sup>1</sup> max. decline of light output to 70% of origin level

<sup>2</sup> at the output of SCHOTT fiber optic light guide, 1-arm, flexible, Ø 9 mm active, length 1,000 mm

We provide a variety of accessories for our KL Series. For details please refer to our system diagrams or according datasheets.

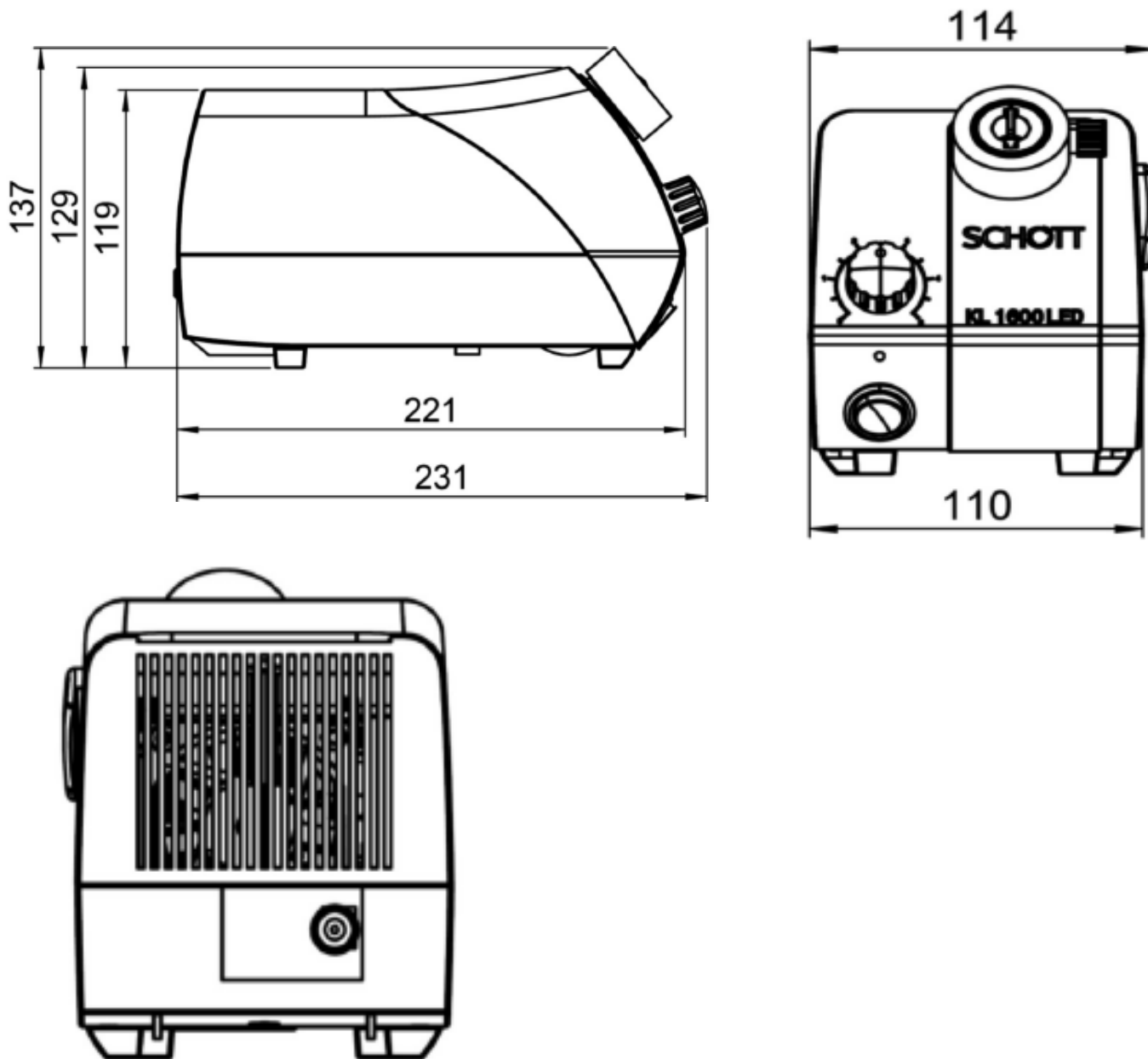
### Accessories:

Light guide adapter	Part No.
For Megalight by SCHOTT Nippon K.K.	158.321
For ColdVision by SCHOTT North America	158.322
For Volpi and Photonic	158.323
Insert filter Ø 28 mm	
Blue	258.302
Red	258.303
Green	258.304
Yellow	258.305
Halogen	258.307
Power cord 1.8 m	
EU Plug: IEC-C13 to CEE 7/7	400.051
US Plug: IEC-C13 to NEMA 5-15	400.052
UK Plug: IEC-C13 to BS 1363	400.053
Swiss Plug: IEC-C13 to SEV1011	400.054

Note: country specific power cord must be ordered separately!



## Dimensions



Pictures are provided for illustration purposes only, and may not provide an accurate reflection of the actual product.



MicroscopeWorld

info@microscopeworld.com | 800-942-0528

All specifications are subject to change without prior notice. This datasheet or any extracts thereof may only be used in other publications with express permission of SCHOTT. © SCHOTT AG

Lighting and Imaging  
**SCHOTT AG**  
 Hattenbergstrasse 10  
 55122 Mainz  
 Germany

Phone: +49 (0) 6131/66-7796  
 Fax: +49 (0) 6131/66-7850  
 info.microscopy@schott.com  
 www.schott.com/microscopy

**SCHOTT**  
 glass made of ideas