

## HZP Mounts Adjustable Rigid Post Mounts

Prior Scientific's HZP series adjustable rigid post mounts for physiology applications provide a simple, flexible and stable set up for electrophysiology applications. The micromanipulator platform has 18 6 mm mounting holes. The sample holder platform has 21 6 mm mounting holes and is also compatible with standard Prior Scientific sample holders. The 110 mm diameter circular sample holder platform is suitable for recording chambers and standard microscope manual stage inserts.

**HZP1000**

**HZP1010**

**HZP1020**

- 1
- 2
- 3
- 4

- Compatible with Sensapex zero drift, solid state and other common micromanipulators as well as with both inverted and upright microscopes. Mounts are compatible with both  $\frac{1}{4}$  20 and 6mm breadboards
- Four models available for different heights
- 60 degree sliding dovetail for smooth and stable positioning.
- Interchangeable sample holders
- Small footprint, saving valuable laboratory space.
- Height and orientation can be adjusted without the use of tools.

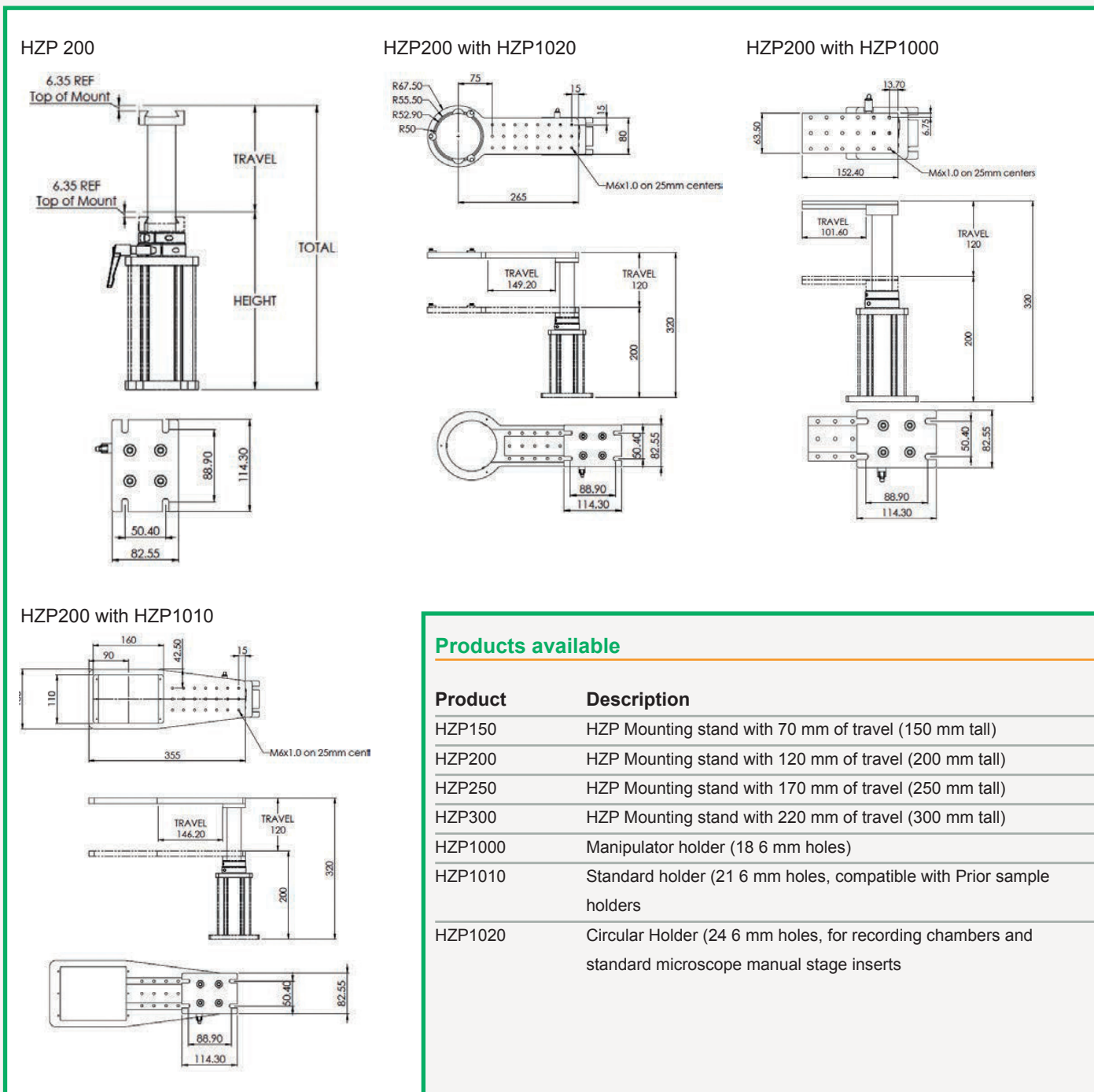
Prior Scientific's HZP series adjustable rigid post mounts are available in four sizes. All are compatible with **HZP1000**, **HZP1010** and **HZP1020**.

- 1) HZP 200 post mount
- 2) HZP 200 post mount with HZP 1000 (manipulator holder)
- 3) HZP 200 post mount with HZP 1010 (standard holder)
- 4) HZP 200 post mount with HZP 1020 (circular holder)

## HZP Mounts

Adjustable Rigid Post Mounts

### Dimensions for HZP 200



### Products available

Product	Description
HZP150	HZP Mounting stand with 70 mm of travel (150 mm tall)
HZP200	HZP Mounting stand with 120 mm of travel (200 mm tall)
HZP250	HZP Mounting stand with 170 mm of travel (250 mm tall)
HZP300	HZP Mounting stand with 220 mm of travel (300 mm tall)
HZP1000	Manipulator holder (18 6 mm holes)
HZP1010	Standard holder (21 6 mm holes, compatible with Prior sample holders)
HZP1020	Circular Holder (24 6 mm holes, for recording chambers and standard microscope manual stage inserts)

### Worldwide distribution

**Prior Scientific Ltd**  
Cambridge, UK  
T. +44 (0) 1223 881 711  
E. [uksales@prior.com](mailto:uksales@prior.com)

**Prior Scientific Inc**  
Rockland, MA USA  
T. +1 781-878-8442  
E. [info@prior.com](mailto:info@prior.com)

**Prior Scientific GmbH**  
Jena, Germany  
T. +49 (0) 3641 675 650  
E. [jena@prior.com](mailto:jena@prior.com)

**Prior Scientific KK**  
Tokyo, Japan  
T. +81-3-5652-8831  
E. [info-japan@prior.com](mailto:info-japan@prior.com)