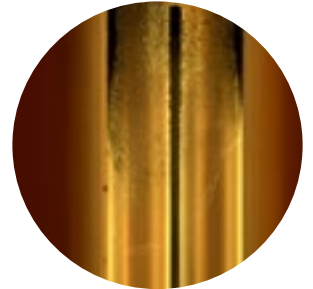




M40X Metallurgical Microscope Semiconductor Inspection



M40X Metallurgical Microscope Features

1 25° inclined trinocular head, erect image, splitting ratio: 100:0 or 0:100

2 High eyepoint widefield plan eyepiece PL10x/22mm. Eyepieces accept 26mm diameter reticle.

3 Large sturdy surface plate, 320mm x 260mm x 16mm with a post height of 280mm. Post diameter is 32mm.

4 Coaxial coarse and fine focus, coarse adjustment 32mm, precision of fine focus 0.002mm.

5 Tilted quintuple nosepiece for a variety of Metallurgical objective lenses:

- LWD Brightfield Plan Achromat
- High Resolution Brightfield Semi Apo
- LWD BD Plan Achromat
- High Resolution Brightfield / Darkfield Semi Apo
- BD Plan Achromat



M40X Metallurgical Microscope Features



6

MX40-BD



7

MX40

6

Model M40X-BD
Reflected illumination system with iris field diaphragm and aperture diaphragm, center adjustable, with filter slots and polarizing slot, with switch to change between brightfield and darkfield.

7

Model M40X
Reflected illumination system with iris field diaphragm and aperture diaphragm, center adjustable, with filter slots and polarizing slot with oblique illumination switch.



M40X Metallurgical Microscope Objectives



LWD Brightfield Plan Achromat Objectives

- FMPLN5, Plan Achromat LWD 5x Objective, NA 0.15, WD 10.8mm
- FMPLN10, Plan Achromat LWD 10x Objective, NA 0.30, WD 12.2mm
- FMPLN20, Plan Achromat LWD 20x Objective, NA 0.45, WD 4mm
- FMPLN50, Plan Achromat LWD 50x Objective, NA 0.55, WD 7.9mm
- FMPLN100, Plan Achromat LWD 100x Objective, NA 0.80, WD 2.1mm

High Resolution Brightfield Semi Apo Objectives

- BF-SAPO-M5, Semi Apo Metallurgical 5x objective; NA 0.15; WD 19.5mm
- BF-SAPO-M10, Semi Apo Metallurgical 10x objective; NA 0.30; WD 10.9mm
- BF-SAPO-M20, Semi Apo Metallurgical 20x objective; NA 0.50; WD 3.2mm
- BF-SAPO-M50, Semi Apo Metallurgical 50x objective; NA 0.80; WD 1.2mm
- BF-SAPO-M100, Semi Apo Metallurgical 100x objective; NA 0.90; WD 1.0mm

LWD BD Plan Achromat Objectives

- LWD-BD-M5, Plan Achromat LWD 5X objective, NA 0.14, WD 20.5mm
- LWD-BD-M10, Plan Achromat LWD 10X objective, NA 0.25, WD 16mm
- LWD-BD-M20, Plan Achromat LWD 20X objective, NA 0.40, WD 7.8mm
- LWD-BD-M50, Plan Achromat LWD 50X objective, NA 0.55, WD 7.9mm
- LWD-BD-M100, Plan Achromat LWD 100X objective, NA 0.80, WD 2.1mm

BD Plan Achromat Objectives

- Plan Epi BD5X objective, NA 0.10; WD 15mm
- Plan Epi BD10X objective, NA 0.25; WD 6.5mm
- Plan Epi BD20X objective, NA 0.40; WD 4.3mm
- Plan Epi BD50X objective, NA 0.75; WD 0.38mm
- Plan Epi BD100X objective, NA 0.90; WD 0.50mm

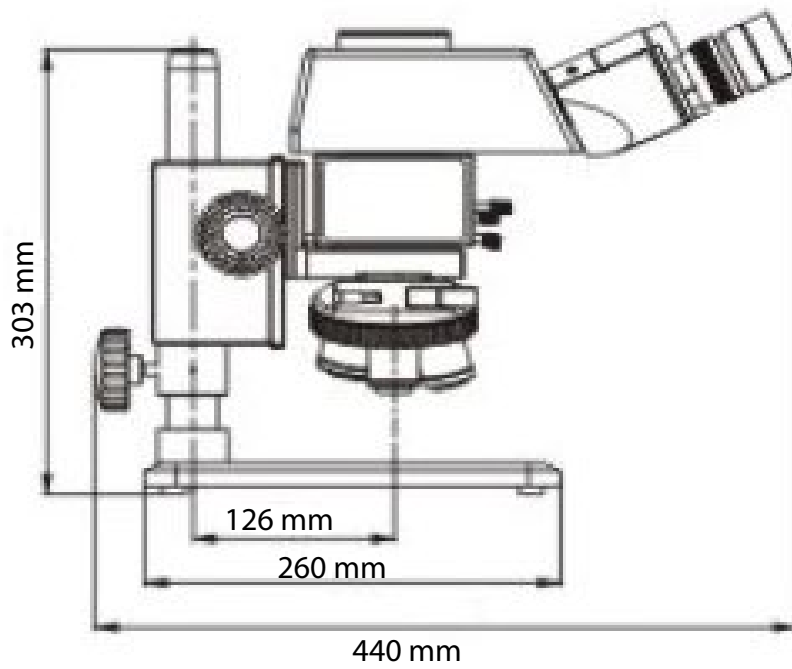
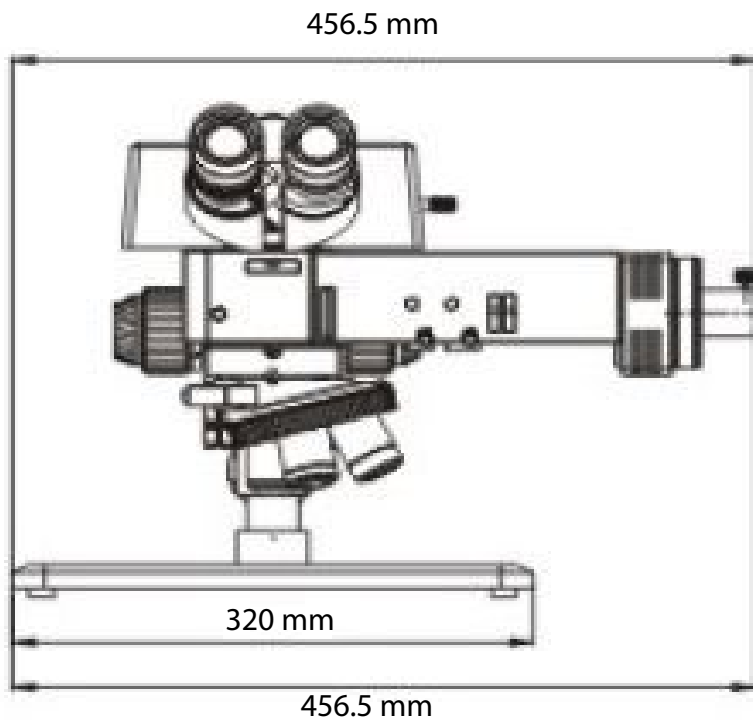


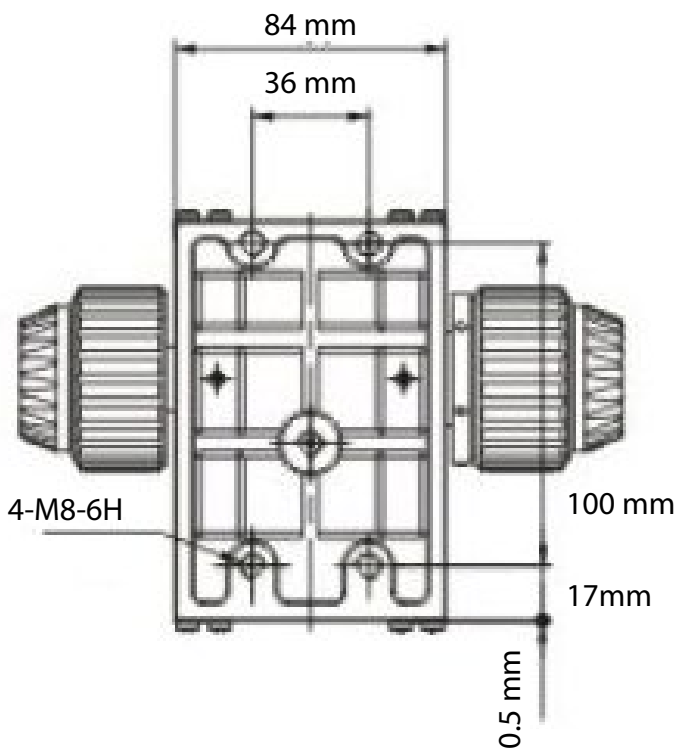
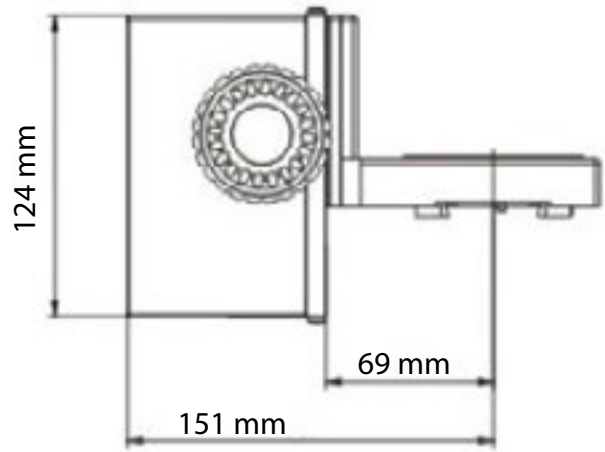
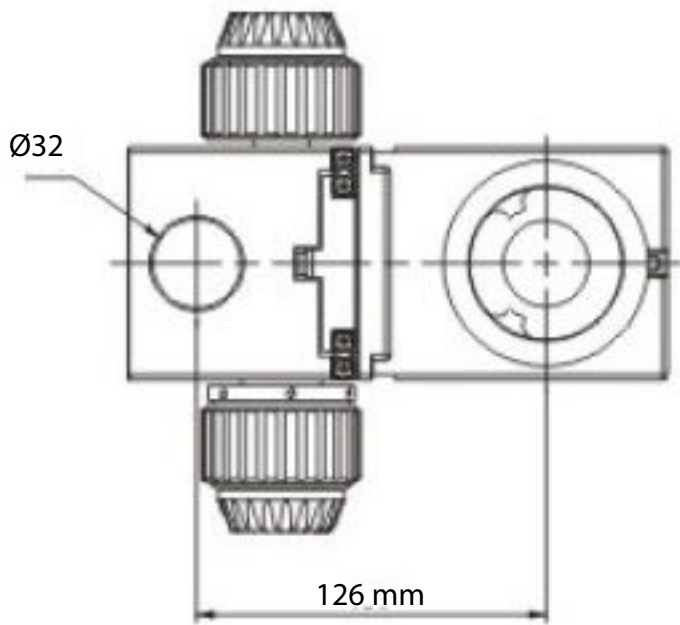
High Resolution Brightfield / Darkfield Semi Apo Objectives

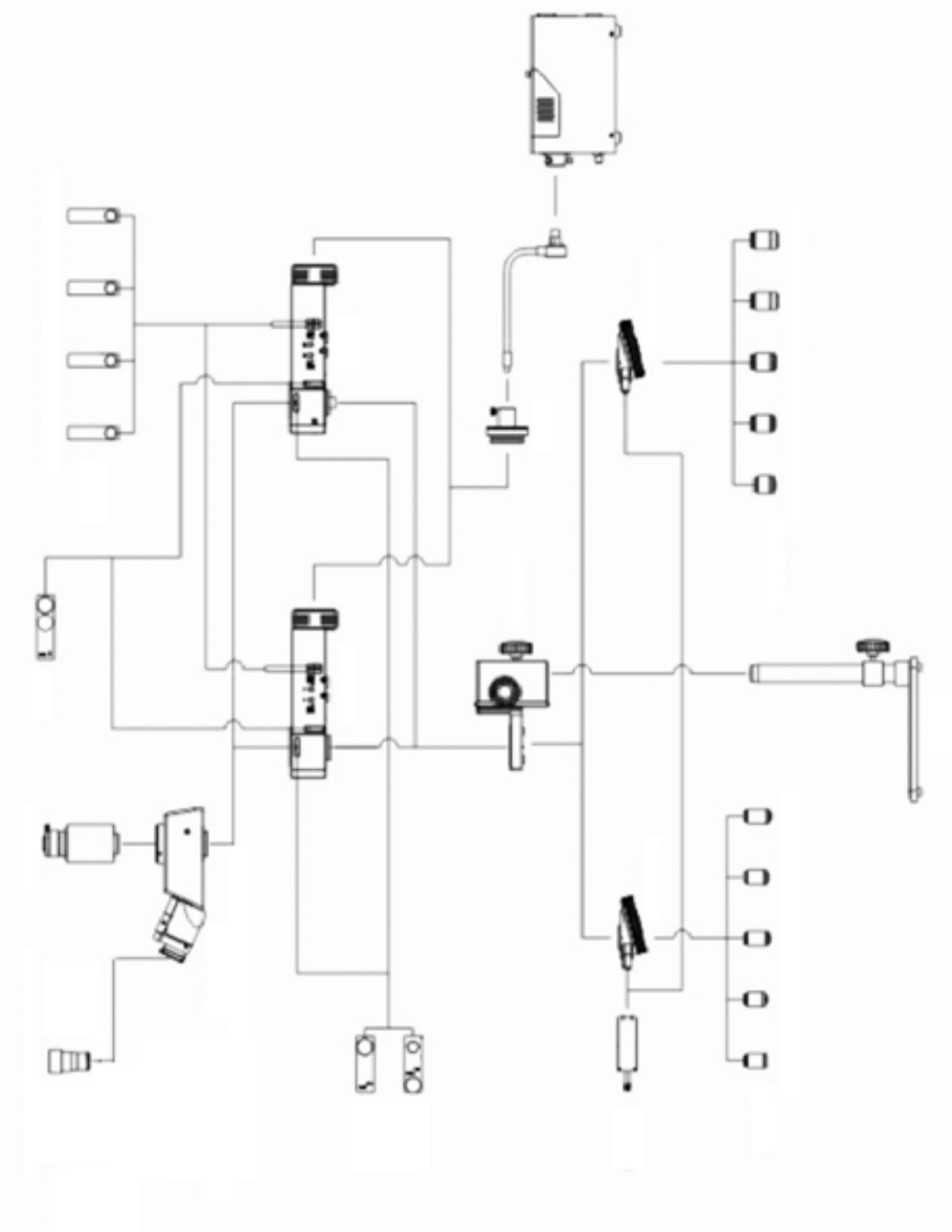
- BD-SAPO-M5, Brightfield / Darkfield Semi Apo 5x objective; NA 0.15; WD 19.5mm
- BD-SAPO-M10, Brightfield / Darkfield Semi Apo 10x objective; NA 0.30; WD 10.9mm
- BD-SAPO-M20, Brightfield / Darkfield Semi Apo 20x objective; NA 0.45; WD 3.2mm
- BD-SAPO-M50, Brightfield / Darkfield Semi Apo 50x objective; NA 0.80; WD 1.3mm
- BD-SAPO-M100, Brightfield / Darkfield Semi Apo 100x objective; NA 0.90; WD 1.0mm

M40X Metallurgical Microscope Specifications

Model	M40X	M40X-BD
Optical System	Infinity Color Corrected Optical System	
Observation	Brightfield / Oblique illumination / Polarization / DIC	Brightfield / Darkfield / Polarization / DIC
Viewing Head	25° inclined trinocular head, erect image. Splitting ratio: 100:0 or 0:100. Diopter adjustment +/- 5, interpupillary distance 54mm-75mm.	
Eyepieces	High eyepoint widefield plan eyepiece PL10x/22mm	
Objective Lenses	Infinity Corrected LWD Brightfield Plan Achromat Objectives 5x, 10x, 20x, 50x, 100x	
	Infinity Corrected LWD Brightfield Plan Achromat Objectives 5x, 10x, 20x, 50x, 100x	
	Infinity Corrected LWD BD Plan Achromat Objectives 5x, 10x, 20x, 50x, 100x	
	Infinity Corrected High Resolution BD Semi Apo Objectives 5x, 10x, 20x, 50x, 100x	
	Infinity Corrected BD Plan Achromat Objectives 5x, 10x, 20x, 50x, 100x	
Nosepiece	Tilted quintuple nosepiece for brightfield with DIC slot.	Tilted quintuple nosepiece for brightfield, darkfield with DIC slot
Focus Adjustment	Coaxial coarse and fine focus, coarse adjustment distance 32mm, precision of fine adjustment 0.002mm, with tension adjustment	
Stage	Large flat base, 320mm x 260mm x 16mm, post height 280mm, ø32mm post.	
Illumination	High intensity LED fiber optic illuminator with on board thermal sensors, 80W, 25,000 hours lifetime, auto voltage sensing power supply 96-264VAC, 50-60Hz.	
Polarization/ DIC	Polarizer, fixed analyzer, 360° rotatable analyzer, DIC slider	
C-Mount Adapter	0.5x, 0.65x, 1x C-Mount Adapter	







info@feinoptic.com
www.feinoptic.com