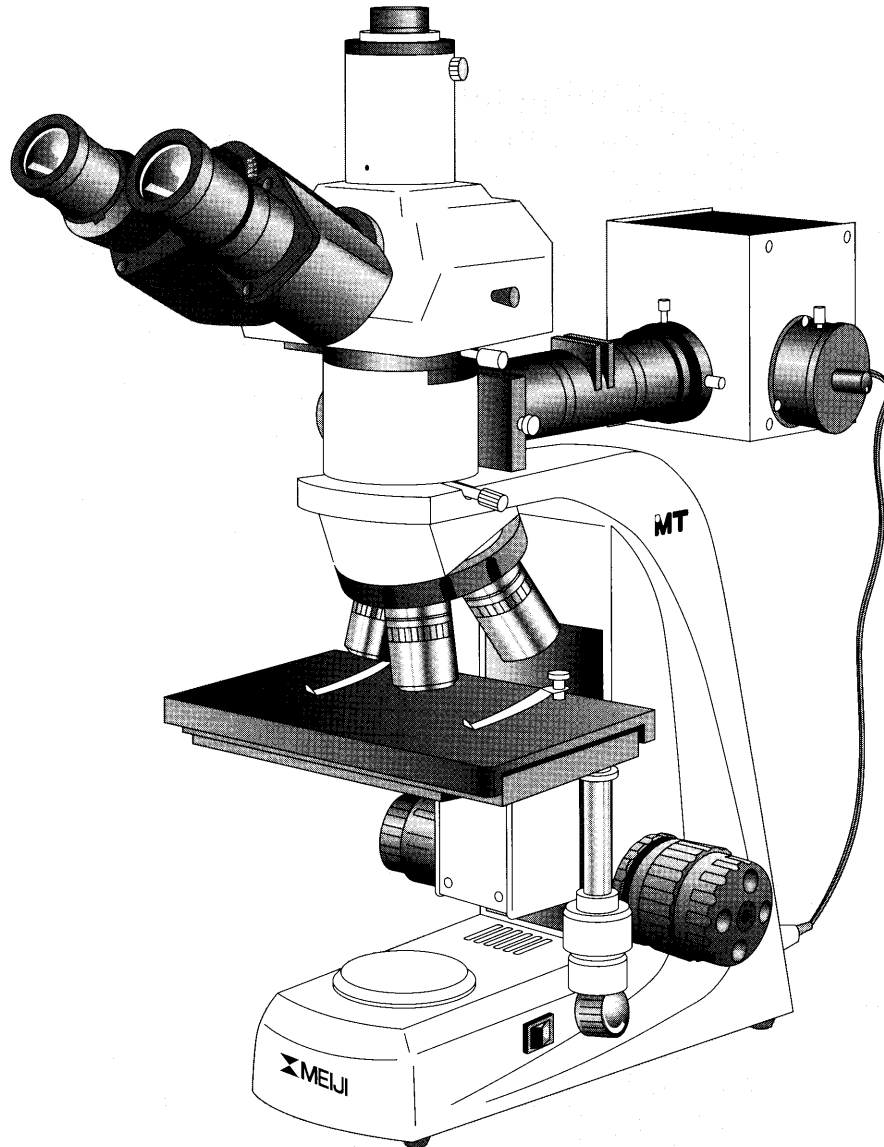




**MT7500 and MT8500 Series
Brightfield/Darkfield**

Metallurgical Microscope Instruction Manual



MEIJI TECHNO CO.,LTD.

JAPAN

MT7500 and MT8500 Series

MEIJI TECHNO

Table of Contents

- 1.0 Introduction
- 1.1 Microscope Features
- 1.2 General Safety Guidelines
- 1.3 Intended Product Use Statement
- 1.4 Handling the microscope
- 1.5 Warranty Notes

- 2.0 The Microscope and its Components
- 2.1 Installation Site
- 2.2 Unpacking
- 2.3 Microscope Set Up
- 2.4 Adjusting Interpupillary Distance

- 3.0 Microscope Operation
- 3.1 Centering the Lamp – Incident Illuminator
- 3.2 Incident Light Operation – Brightfield
- 3.3 Incident Light Operation-Darkfield
- 3.4 Transmitted Light Operation – Brightfield
- 3.5 Using the Polarizer / Slide-In Analyzer
- 3.6 Photomicrography with 35mm SLR and Digital SLR Cameras
- 3.7 Photomicrography with Digital Still Cameras
- 3.8 Connecting a Video or Other Camera that uses a “C” type mount

- 4.0 Maintenance and Cleaning

- 5.0 Troubleshooting
- 5.1 Replacing the mains fuse on the microscope
- 5.2 Incident Light does not work
- 5.3 Replacing the 12V 50W Halogen Lamp – Incident Illuminator
- 5.4 Replacing the 6V 30W Halogen Lamp – Transmitted Illuminator

- 6.0 Storage

- 7.0 Packing and Transport

- 8.0 Accessories and Replacements Parts

- 9.0 Technical Descriptions

- 10.0 Physical Dimensions

Metallurgical Microscope

MEIJI TECHNO

MT7500 / MT8500 Series Brightfield / Darkfield Metallurgical Microscope

1. Introduction

The Meiji Techno MT7500 and MT8500 Series Metallurgical Microscopes have a modern compact design. Easy operation is achieved through ergonomic placement of controls making them ideal for use in production and quality control.

Meiji's MT7500 and MT8500 Series are well suited for a wide variety of metallurgical observational applications as well as high resolution video microscopy.

The MT7500 and MT8500 Series Microscopes deliver crisp, distortion-free, high resolution images in Brightfield mode.

Meiji Techno supplies a variety of accessories including simple polarizing filters, micrometers and camera adapters.

1.1 Microscope Features

- Computer Aided Designed Frame and Optics
- All New and Improved Plan Episcopic Objectives
- Slim Compact Footprint
- Infinity Corrected Optical System
- Powerful 12V 50W Vertical Koehler Illuminator
- Powerful 6V 30W Transmitted Light Koehler Illuminator (MT8500 series)
- Low Positioned Ergonomic Coaxial Coarse and Fine Focus Controls
- Smooth Operating Reverse Facing Quadruple Nosepiece
- Ceramic Coated Flat Top Stage with left or right-handed controls
- Siedentopf-type Binocular and Trinocular Viewing Heads
- Optional Siedentopf-type Ergonomic Binocular Viewing Head available
- Super Widefield High Eyepoint Eyepieces (SWH10X, F.N.22)
- Automatic Voltage Sensing Power Supply with detachable power cord
- Wide Range of Filters and Accessories

1.2 General Safety Guidelines

Meiji Techno products are designed for safe operation under normal operating conditions. The instrument

MT7500 and MT8500 Series

MEIJI TECHNO

and accessories described in this manual have been built and tested according to industry safety standards for electronic laboratory instruments. Incorrect usage or non-conformance to operating instructions can cause personal injury or damage to equipment or property. Keep this manual near your instrument for easy reference.

1.3 Intended Product Use

Product Disclaimer: This product is designed and intended for use only as a metallurgical microscope system. Modifying this instrument in any way for use in any situation other than the original and intended product design will automatically void the warranty. In no event shall Meiji Techno be liable to any person or entity for any incidental, indirect or consequential damages, arising out of or in connection with the use or performance of a modified or altered product.

1.4 Product Safety Information- Handling the Microscope



DO NOT OPERATE UNLESS THE UNIT IS PROPERLY GROUNDED!

Use only the specified power cord in a well grounded socket. Do not use in an ungrounded power receptacle or in cases where there is a break in the ground conductor or damage to the electrical wiring.

Only fuses of the specified type and rating are to be used as replacements. Switch off the power and disconnect the power cord before replacing fuses. Use of a non-compliant fuse may result in electrical shock or severe damage your equipment. Do not replace the bulb for at least 10 minutes after the unit has been turned off or injury may result.

1.5 Warranty Statement

Modifying the instrument in any way or unauthorized attempts to disassemble or use the instrument for applications other than its intended design will automatically void the warranty.

Meiji Techno warrants this product against defects in material and/or workmanship for the life of the instrument from the date of the original purchase to the original purchaser. Meiji Techno will repair or replace, at its option, any instrument which under normal conditions of use and service proves to be defective in material or workmanship. No charge will be made for labor or materials with respect to defects covered by this warranty, provided all repair work is done by Meiji Techno.

Metallurgical Microscope

MEIJI TECHNO 

This warranty does not cover expenses incurred in the removal or reinstallation of any instrument or instruments, whether or not proven defective. Replacement or repairs furnished under this warranty are subject to the same terms and conditions of the original warranty. This warranty supersedes any other warranty and is subject to the following terms and conditions:

WARRANTY

Warranty of Meiji Techno's product extends to the original purchaser of the product and is not transferable.

WARRANTY DURATION

Meiji Techno warrants this product against defects in material and/or workmanship for the life of the instrument from the date of original purchase to the original purchaser. The electrical warranty is one year.

OWNER'S REGISTRATION CARD

Return of the owner's registration card by the original purchaser within ten (10) days after the original purchase is a condition precedent to coverage under this warranty. Meiji Techno will at its option accept written proof of purchase from the original owner in lieu of a product registration card.

EXCLUSIONS AND LIMITATIONS

Specifically excluded from this warranty are failures caused by abuse, neglect, misuse, improper operation, normal wear, accident, improper maintenance or modifications of ANY type. This warranty does not cover repair or replacement where normal use has exhausted the life of a part or instrument. All mechanical devices need periodic parts replacement and service to perform well. Service life of an instrument is dependent upon the care it receives and the conditions under which it has to operate. In no event shall Meiji Techno be liable for incidental or consequential damages.

SERVICE

To obtain service under this warranty, please contact Meiji Techno directly and ask for the Product Service Department. State the nature of the problem, model and serial number of the instrument, date of purchase and location and name of the distributor the instrument was purchased from. After verification of warranty registration, Meiji Techno will issue a return authorization number. Customer may then return the product postage prepaid and insured to the authorized repair facility.

In most instances, requests for warranty service will be performed in a prompt and routine manner and merchandise will be returned in a reasonable period of time or at Meiji Techno's convenience. In some cases, requests for warranty service are received which are not justified. In these cases, Meiji Techno will provide an explanation for non-warranty action.

MT7500 and MT8500 Series

MEIJI TECHNO

WARRANTY TERMS

The terms of this warranty may not be varied by any person, whether or not purporting to represent or act on behalf of Meiji Techno. The limited lifetime warranty provided is in lieu of any and all warranties, expressed or implied, whether for merchantability or fitness for a particular purpose or otherwise. Liability for consequential damages under any, and all warranties are excluded to the extent exclusions are permitted by law. This warranty gives you specific legal rights and you may also have other rights which vary from state to state. This warranty sets forth the customer's exclusive remedy, with respect to defective products. This limited warranty shall become null and void in the event of a violation of the provisions of this limited warranty.

2.0 The Microscope and its Components

The image on the next page designates the main components of the MT8500 Series Brightfield/Darkfield Microscope.

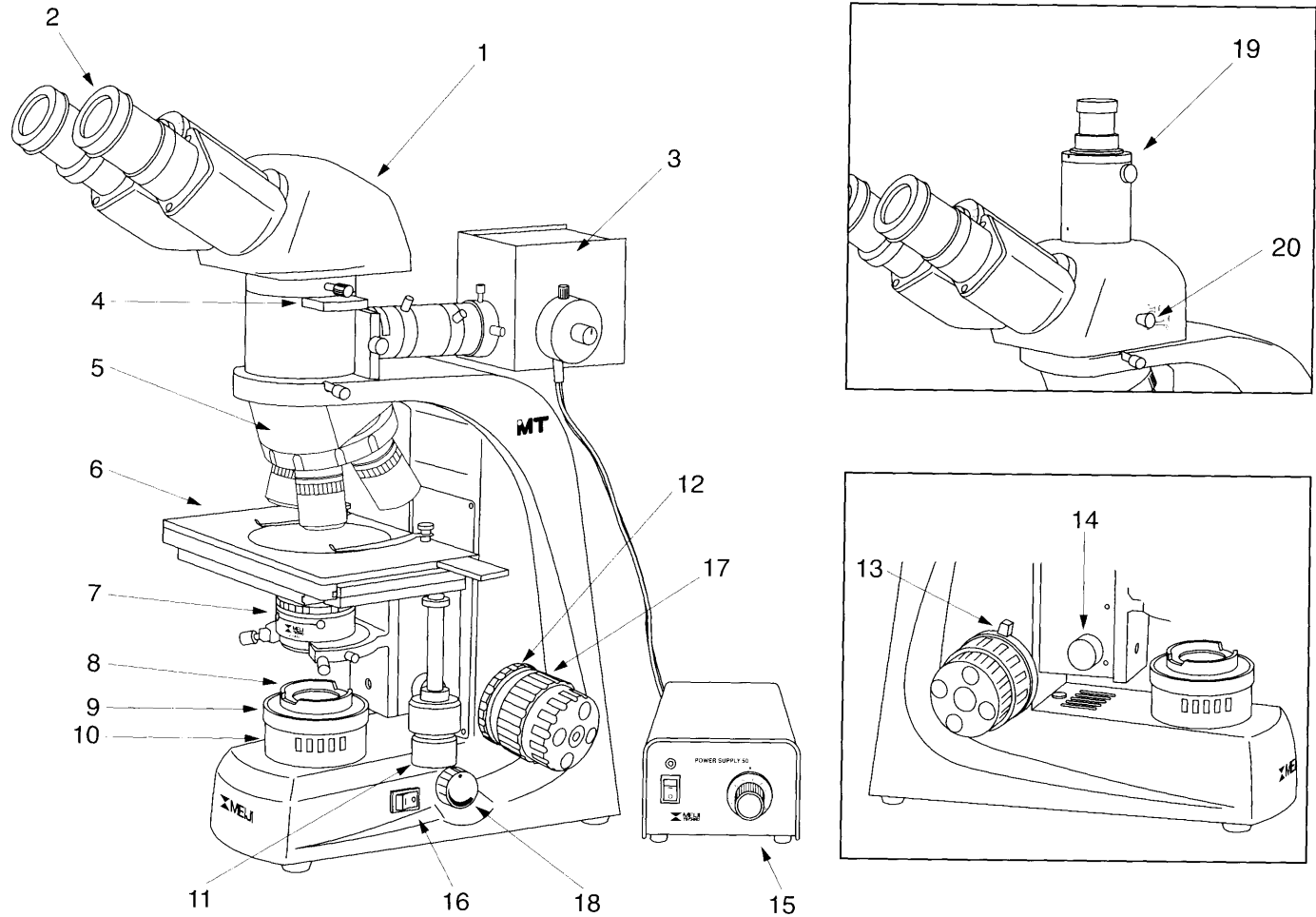
If no other accessories are going to be installed, the instrument is now ready for use.

Metallurgical Microscope

MEIJI TECHNO

MT7500/MT8500 Series

The Microscope and its Components



1. Siedentopf binocular head
2. Eyepiece SWH10X, F.N. 22
3. Incident Illuminator
4. Analyzer in slider mount
5. Ergonomic reversed nosepiece
6. Ceramic coated mechanical stage
7. Substage condenser with built-in Iris diaphragm (MT8500 series)
8. Filter tray (MT8500 series)
9. Field iris (MT8500 series)
10. Integrated illuminator (MT8500 series)
11. Drop down coaxial stage controls
12. Focus tension adjustment, turn the knurled ring counter-clockwise to tighten the tension
13. Adjustable safety knob, turn lever clockwise to lock the stage height
14. Condenser rack height adjustment knob (MT8500 series)
15. Stand alone power supply for incident illuminator of MT8500 series
16. Power switch
17. Low positioned ergonomic coaxial coarse and fine focusing control
18. Low positioned variable brightness control
19. Trinocular head with integrated male "C" mount
20. Beam splitter for camera port

MT7500 and MT8500 Series

MEJI TECHNO

2.1 Installation Site

The microscope should be operated in a room with as little dust as practically possible. Keep your instrument away from solvents, chemical fumes and excessive humidity. Also try to avoid big swings in ambient temperature, direct sunlight and vibration as they can affect measurements and instrument performance.

Operating Ambient Conditions

Temperature: 10 - 36°C (50 - 96.8°F)
Relative Humidity: 0 - 80% up to 30°C (86°F)

2.2 Unpacking

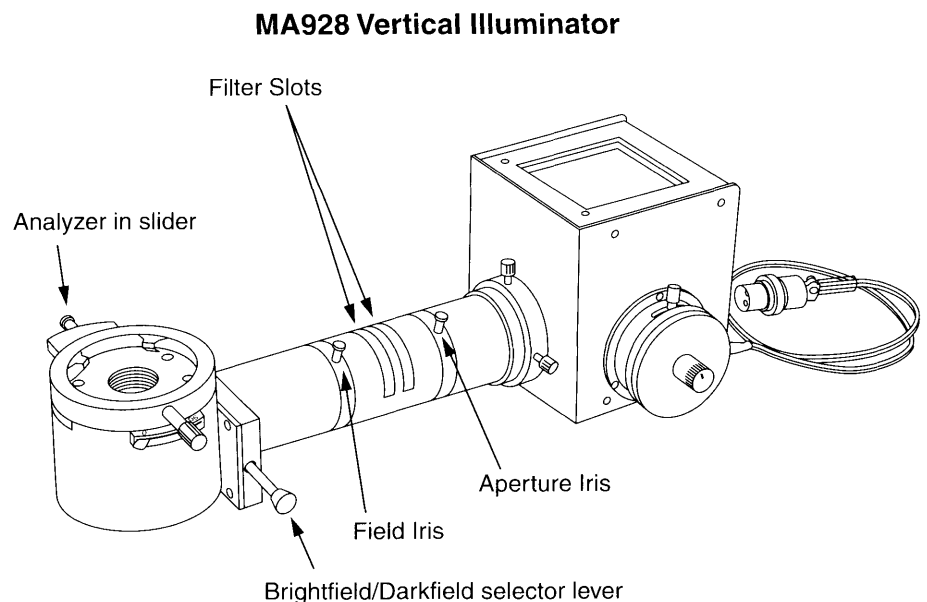
Please check your packing slip to insure that all materials are present. Keep a copy for your records so that you have the proper information when ordering more equipment, ordering replacement parts or accessories or when calling for technical support. Please make sure that no small pieces or parts are left in the packing material. Keep the packing materials in a safe place for the purpose of storage and transporting the microscope and its accessories.



ATTENTION Avoid touching the surface of optical components such as lenses, filters and glass surfaces. Even very small traces of perspiration or finger oils can corrode the surfaces of optics in a short period of time.

2.3 Microscope Set Up

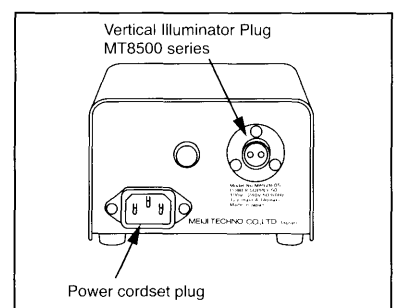
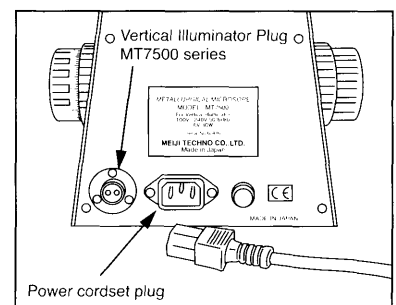
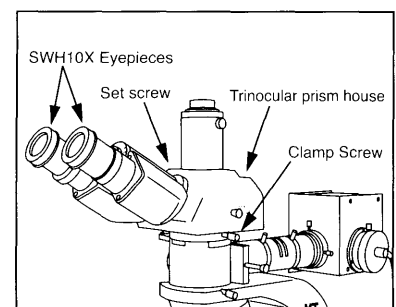
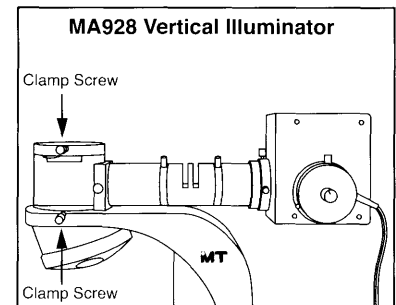
- As a first step, remove all components from the shipping container and remove the packing materials.
- Place the microscope frame on a stable work surface.



Metallurgical Microscope

MEIJI TECHNO

- Loosen the clamp screw on the microscope limb and install the vertical illuminator (MA928). Once the thumbscrew is tightened, place the binocular head (MA815 or MA816) or the optional (MA957) onto the top of the illuminator and re-tighten the clamp screw while the head is in the correct position as shown right.
- Install the Siedentopf head with the 2mm allen wrench supplied being careful to align the notch in the head with the set screw. Next, install the two eyepieces (MA817) by sliding them into the head and then install the rubber eyeshields on top of each eyepiece. The eyepieces for MT7500 and MT8500 Series are a DIN standard 30.0mm diameter.
- Screw each objective into a nosepiece opening being careful not to touch the optics. Install them incrementally or in order of power.
- MT7500 series: Connect cord from the incident illuminator to the back of the microscope. Power supply is built-in the microscope. Plug the power cord set to the microscope and the other end into a grounded outlet.
- MT8500 series: Connect the cord from the incident illuminator to the standalone power supply (MA928/05). Plug the power cordset into the microscope and the other end into a grounded outlet.
- Both the MT7500 Series Microscope and the external standalone power supply for MT8500 have auto voltage sensing so they can be used with any voltage from any country in the world from 100 volts to 260 volts AC with the proper cordset.



CAUTION

The mains power cord should only be plugged into a known grounded outlet.

A simple outlet tester can be used to verify correct outlet polarity and the presence of a grounded circuit.

If no other accessories are going to be installed, the instrument is now ready for use.

MT7500 and MT8500 Series

MEIJI TECHNO

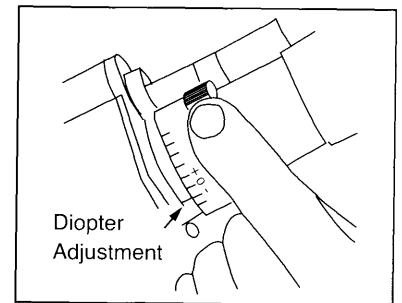
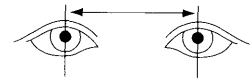
2.4 Adjusting Interpupillary Distance

The Interpupillary Distance is essentially the distance between your two pupils expressed in millimeters. When set correctly, one will see one uniform round field of view or FOV. The adjustment is made by simply pulling apart or pushing together the eyetubes until a uniform round field is achieved. Make note of the number marked on the viewing head so you can repeat the setting later.

When you place a specimen on the stage, get it into focus with the right eye while your left eye is closed. Once the right side is in focus by using the fine focus knob on the microscope, open your left eye and use the diopter on the left eyetube to bring the left side in focus.

Once this is done, the microscope is adjusted to this user. Other users will have different IP's and different focusing abilities.

interpupillary distance



3.0 Operation

Once the microscope has been setup in its working location with all of the components correctly installed, it is ready for use.

Your MT7500/ MT8500 Series Microscope is a precision instrument designed to last a lifetime. Always handle your microscope with care and avoid abrupt motion, vibration and shock.

Do not install any bulb in your instrument other than ones designated by Meiji Techno:

MA275/05	12V 50W Halogen	For Vertical illuminators MT7500/MT8500 models
MA326	6V 30W Halogen	For integrated transmitted illuminators MT8500 models

Always disconnect the power cord from the back of the microscope when not being used, or when cleaning your instrument or when making any repairs.

CAUTION

Avoid Dismantling

Never attempt to dismantle the instrument. This will void your warranty and could possibly lead to the instrument no longer performing accurately.

Metallurgical Microscope

MEIJI TECHNO

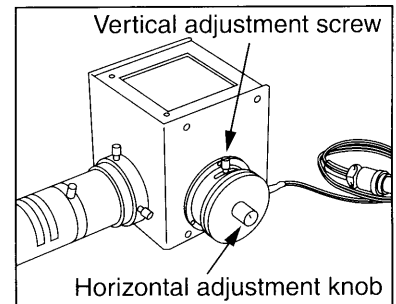
3.1 Centering the Lamp – Incident Illuminator

Your light source may need to be “centered” if the field of view seems unevenly illuminated.

The centering controls are located on the side of the light source housing at the back end of the vertical illuminator. The drawing below shows the location of the controls.

Centering Adjustment

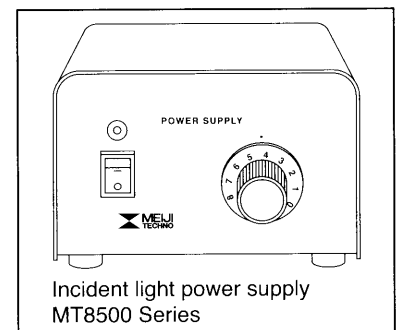
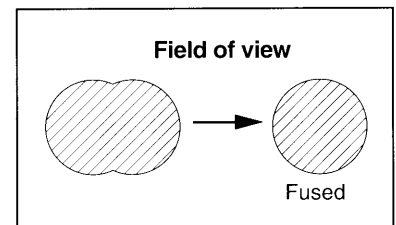
1. Adjust the brightness to a comfortable level with no specimen on the stage.
2. Loosen the screw on the vertical adjustment and while looking into the eyetubes, center the bulb vertically in the field of view and then re-tighten the screw while the bulb filament is in the correct position.
3. While continuing to look into the eyetubes, center the bulb filament in the field of view by using the knob to attain centering in the left-right position.



This adjustment will also need to be done whenever the bulb is changed.

3.2 Incident Light Operation – Brightfield (MT7500/MT8500 series)

1. First, set your interpupillary distance on the microscope eyetubes by pulling them apart or pushing them closer together to fit your eyes. When set correctly, one will see one uniform round or “fused” field of view. Make note of the distance setting when adjusted to your liking so you can later repeat the setting.
2. Adjusting the brightness desired is done with the variable brightness control knob on microscope base (MT7500) , or control knob on the front of the standalone power supply MT8500).
3. Make sure the field iris diaphragm on the vertical illuminator is opened all the way open (move lever to the right) to start.
4. We recommend that you initially use a flat, easily recognizable specimen to set up your microscope. Place that specimen on the stage.



MT7500 and MT8500 Series

MEIJI TECHNO

5. Select a lower power “scanning” objective like the 5X or the 10X to find the area of interest on the specimen quickly. Be sure the objective “clicks” into place when you turn the objective nosepiece.
6. By using the coarse and fine focus knobs shown above, adjust your specimen into focus with your left eye closed (looking only through the right eyetube). With the specimen in focus, close the right eye you just used and open the left. If the specimen is out of focus for the left eye, adjust the diopter on the eyetube until the focus is correct. The microscope is now adjusted for this user. Focusing eyetubes allows us to compensate for users that wear corrective eye lenses. If you wear glasses, you may want to remove the rubber eyeguards.
7. The aperture iris diaphragm located on the vertical illuminator can be "stopped down" or closed somewhat to give the observation of your specimen more or less contrast or resolving power. Stopping down the diaphragm decreases resolution and brightness but increases image contrast and depth of focus.

3.3 Incident Light Operation – Darkfield

1. To engage darkfield mode, pull the darkfield selector lever until it comes out with the darkfield stopper in position (maximum right hand position). Be sure that both the Field Iris and the Aperture Iris are opened completely.
2. Looking into the eyepieces without a specimen on the stage, the field of view appears dark.
3. When a specimen is placed on the stage, features of the specimen such as scratches, surface particles and depressions will reflect brightly against the dark background.
4. Darkfield mode is useful for observing specimens with features that cannot be readily seen under brightfield mode.

Possible Darkfield Mode Operational Problems

If normal adjustments are not getting the results you expect, check to see if these conditions exist:

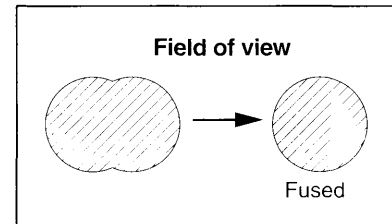
- Incorrect components inadvertently installed
- Components not mounted flush (Vertical Illuminator to microscope frame)
- Dirty or smudged optics
- Aperture Iris or Field Iris are completely closed

Metallurgical Microscope

MEIJI TECHNO

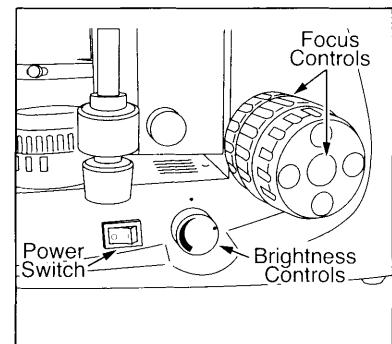
3.4 Transmitted Light Operation – Brightfield (MT8500 series)

1. First, set your interpupillary distance on the microscope eyetubes by pulling them apart or pushing them closer together to fit your eyes. When set correctly, one will see one uniform round or “fused” field of view. Make note of the distance setting when adjusted to your liking so you can later repeat the setting.



2. Turn on the microscope power switch which is located as shown at right. Adjusting the transmitted light brightness is done with the variable brightness control knob on the body of the microscope shown at right.

3. Make sure the field iris diaphragm on the integrated transmitted illuminator is opened all the way open (turn outside knob to the right) to start.



4. We recommend that you initially use a flat, easily recognizable specimen. Place that specimen on the stage.

5. Select a lower power “scanning” objective like the 5X or the 10X to find the area of interest on the specimen quickly. Be sure the objective “clicks” into place when you turn the objective nosepiece.

6. By using the coarse and fine focus knobs shown above, adjust your specimen into focus with your left eye closed (looking only through the right eyetube). With the specimen in focus, close the right eye you just used and open the left. If the specimen is out of focus for the left eye, adjust the diopter on the eyetube until the focus is correct. The microscope is now adjusted for this user. Focusing eyetubes allows us to compensate for users that wear corrective eye lenses. If you wear glasses, you may want to remove the rubber eyeguards.

7. The iris diaphragm located on the transmitted illuminator can be “stopped down” or closed somewhat to give the observation of your specimen more or less contrast or resolving power. Stopping down the diaphragm decreases resolution and brightness but increases image contrast and depth of focus.

Possible Brightfield Mode Operational Problems

If normal adjustments are not getting the results you expect, check to see if these conditions exist:

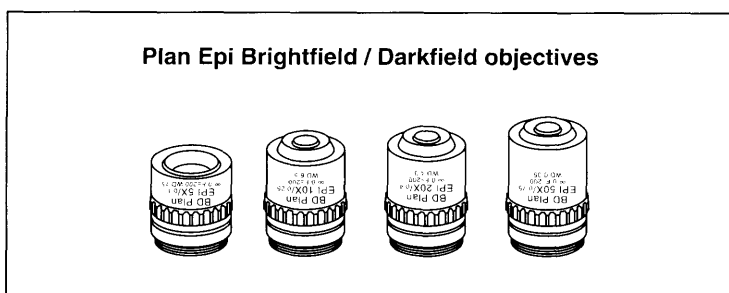
- Incorrect components inadvertently installed
- Components not mounted flush (Vertical Illuminator to microscope frame, etc.)
- Dirty or smudged optics
- Aperture Iris or Field Iris are completely closed
- Transmitted light iris closed completely

MT7500 and MT8500 Series

MEIJI TECHNO

MT7500/MT8500 Series Plan Epi BD Objectives

Brightfield/Darkfield Objectives - Plan Epi - Infinity Corrected - F = 200mm	
MA923	Plan Epi BD5X Objective, N.A.: 0.10, W.D. = 17.0mm
MA924	Plan Epi BD10X Objective, N.A.: 0.25, W.D. = 7.48mm
MA925	Plan Epi BD20X Objective, N.A.: 0.40, W.D. = 5.20mm
MA926	Plan Epi BD50X Objective, N.A.: 0.75, W.D. = 0.38mm



3.5 Using the Polarizer / Slide-In Analyzer

Polarizer

For certain specimens, the use of polarized light will enhance the contrast and facilitate viewing of difficult to see object features.

The polarizing filter is engaged by dropping it into one of the filter slots located along the top of the illuminator tube as shown in the drawing below.

Slide-In Analyzer

The analyzer is mounted in a slider which is located right below the viewing head as shown in the drawing below. It can be inserted or withdrawn from the optical path by grabbing the chrome knob and sliding it east-west in its slot. The lever on the side rotates the filter between 0 and 90 degrees.

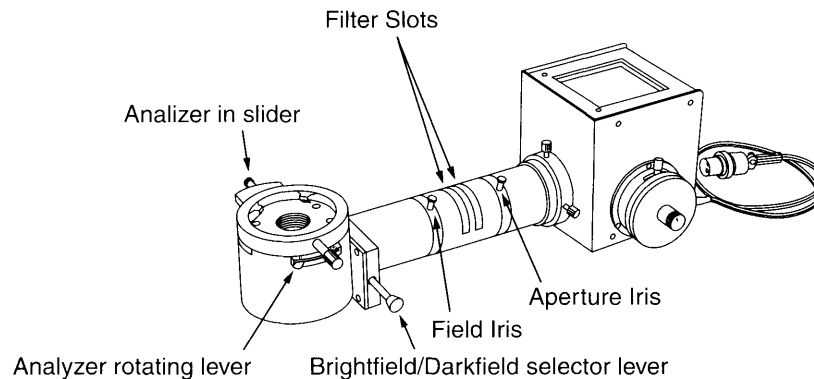
With the analyzer engaged and the lever set at 45 degrees, the polarizing elements are said to be "crossed" and the field of view will become darker or "extinguished".

In this condition, the field of view is dark except for the optically active elements within the field which become visible against the dark background.

Metallurgical Microscope

MEIJI TECHNO

MA928 Vertical Illuminator



3.6 Photomicrography with 35mm SLR and Digital SLR Cameras

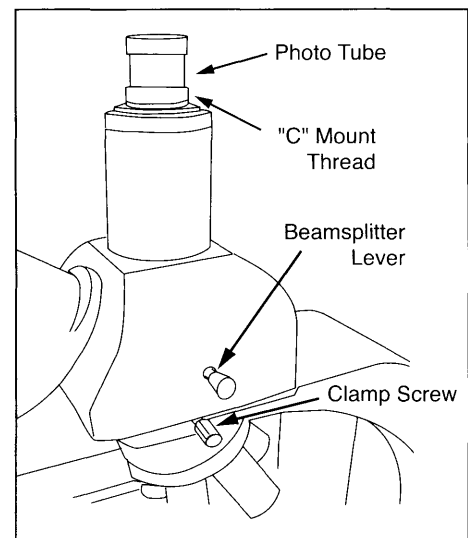
Model MT7530 and MT8530 microscopes have a trinocular tube with integrated male "C" mount on top of the head for photomicroscopy.

In order to secure a 35mm SLR camera body to these microscopes, an optional camera attachment tube (MA150/50 or MA150/60) will need to be used with the corresponding T2 Adapter Ring that matches the camera to be used.

The table below shows the different cameras and adapter rings that can be used:

T2 Camera Adapter Rings

T2-1 Canon	T2-6 Olympus
T2-2 Minolta	T2-7 Contax, Yashica
T2-3 Pentax K	T2-8 Konica
T2-4 Pentax S (threaded)	T2-9 Canon EOS
T2-5 Nikon	T2-10 Minolta Alpha / Maxim 2000



In addition, a photo eyepiece will be needed to make an image for the camera. The table below shows the different photo eyepieces that are available:

Photo eyepieces

MA512 2.5X Photo eyepiece
MA508 5X Photo eyepiece
MA500 3.3X Photo eyepiece

MT7500 and MT8500 Series

MEIJI TECHNO

3.7 Photomicrography with Digital Still Cameras

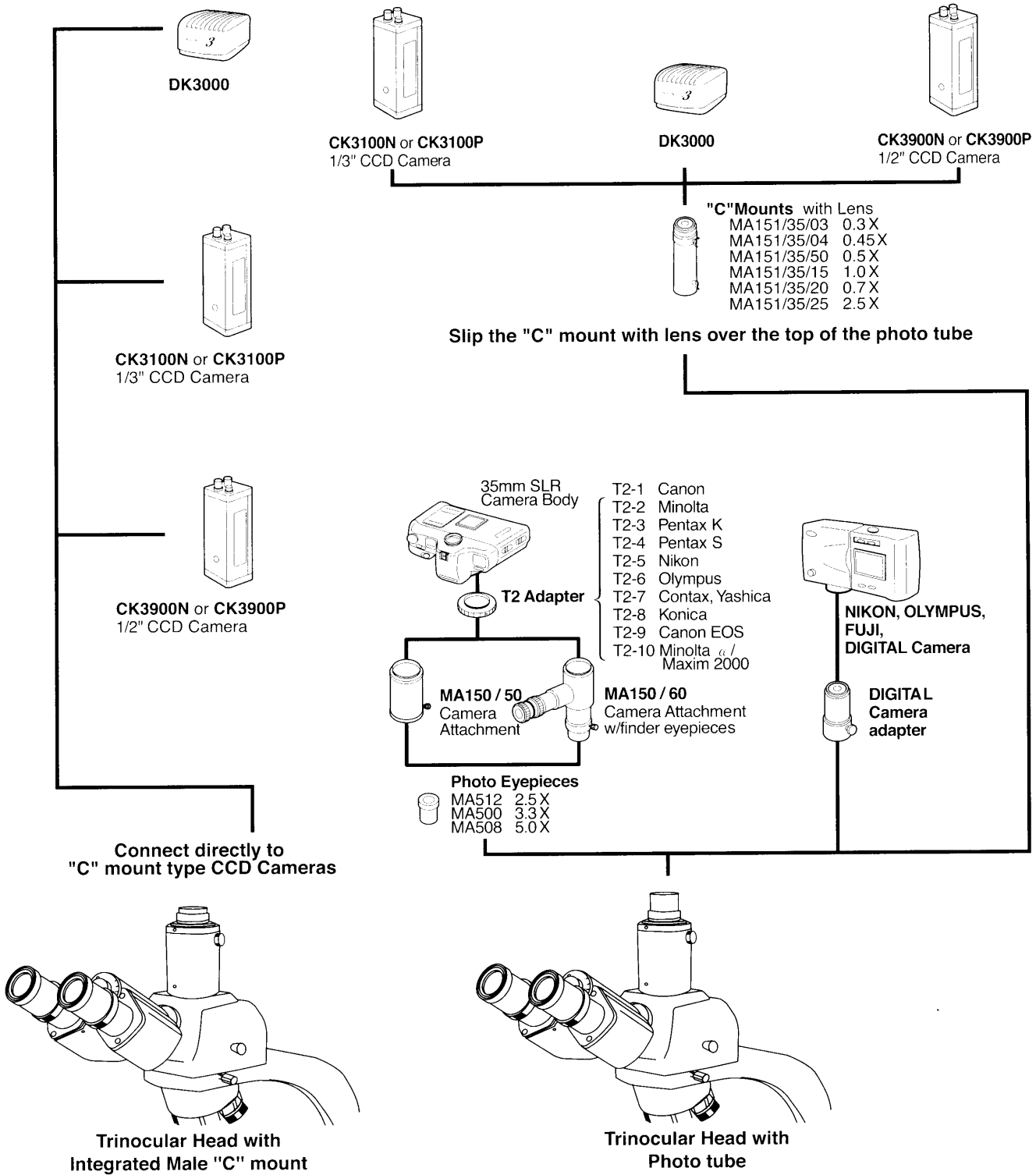
In order to mount a consumer grade digital camera to a MT7530/MT8530 trinocular microscope, an optional camera adapter will be needed. The table below shows the different cameras that can be used and their corresponding adapter part number:

Digital Camera Model	All Meiji Trinocular Tube Models (23.2mm ID, 25.2mm OD)	Eyetubes TM Series ML Series (23.2mm ID, 27.2mm OD Eyetubes)	"C" Mount Thread (25.4mm) (attaches to male c-mount thread)	Eyetubes EM Series (30.5mm ID, 34.0mm OD Eyetubes)	Eyetubes RZ Series MT Series TC Series IM Series (30.0mm ID, 34.0mm OD Eyetubes)
Canon Powershot A610, A620 A630, A640	MA151/30/73	MA151/30/73	MA151/40/72	MA151/45/72	MA151/50/72
Canon Powershot A700, A700 IS	MA151/30/75	MA151/30/75	MA151/40/74	MA151/45/74	MA151/50/74
Canon Powershot G1, G2	MA151/30/43	MA151/30/43	MA151/40/42	MA151/45/42	MA151/40/42
Canon Powershot G3, G5	MA151/30/41	MA151/30/41	MA151/40/40	MA151/45/40	MA151/50/40
Canon Powershot G6	MA151/30/31	MA151/30/31	MA151/40/30	MA151/45/30	MA151/50/30
Canon Powershot G7	MA151/30/21	MA151/30/21	MA151/40/20	MA151/45/20	MA151/50/20
Fuji Finepix S602, 4900Z, 6900Z, S20Pro, S7000	MA151/30/81	MA151/30/81	MA151/40/80	MA151/45/80	MA151/50/80
Nikon Coolpix 800, 900, 950, 990, 995, 4500	MA151/30/50	MA151/30/51	MA151/40/50	MA151/45/50	MA151/55/50
Nikon Coolpix 5000	MA151/30/70	MA151/30/71	MA151/40/70	MA151/45/70	
Nikon Coolpix 5400	MA151/30/53	MA151/30/53	MA151/40/52	MA151/45/52	MA151/50/52
Olympus Camedia C-2000, C-2020, C-3000, C-3030, C-3040, C-3100, C-4040, C-4100, C-5050	MA151/30/61	MA151/30/61	MA151/40/60	MA151/45/60	
Olympus Camedia C-700, C-720, C-730, C-740, C-750, C-755, C-760, C-765, C-770, SP500UZ	MA151/30/63	MA151/30/63	MA151/40/62	MA151/45/62	MA151/50/62
Olympus Camedia C-5060 C-7070	MA151/30/65	MA151/30/63	MA151/40/64	MA151/45/64	

Metallurgical Microscope

MEIJI TECHNO

Video Microscopy



MT7500 and MT8500 Series

MEIJI TECHNO

3.8 Connecting a Video or Other Camera that has a "C" type mount

In order to attach a camera that employs a standard "C" type camera mount to the MT7530/MT8530 microscope, one can use the integrated male "C" mount by unscrewing and removing the chrome tube.

To change the magnification seen by the camera, an optional "C-Mount" camera attachment WITH LENS can be used on top of the trinocular port of the microscope:

Optional "C" Mounts With Lenses - For all Meiji Trinocular Microscopes	
MA151/35/03	"C" Mount Adapter with 0.3X lens (Slips over existing photo tube)
MA151/35/04	"C" Mount Adapter with 0.45X lens (Slips over existing photo tube)
MA151/35/50	"C" Mount Adapter with 0.5X lens (Slips over existing photo tube)
MA151/35/15	"C" Mount Adapter with 1.0X lens (Slips over existing photo tube)
MA151/35/20	"C" Mount Adapter with 0.7X lens (Slips over existing photo tube)
MA151/35/25	"C" Mount Adapter with 2.5X lens (Slips over existing photo tube)

4.0 Maintenance and Cleaning

WARNING

- Disconnect the power cord on your equipment prior to performing cleaning, maintenance or repair.
- Keep electrical components away from moisture or humidity.
- In warm humid climates, take special care to prevent your equipment from exposure to fungal growth by using desiccant in an airtight storage container or by other means.
- Clean the microscope after each use. Keeping your microscope clean will insure its proper operation over its lifetime.

Dust Protection

Be sure to use the supplied dust cover with your microscope after each work session.

Cleaning

Dust, fibers and other debris can cause your field of view to get obstructed so keeping your microscope clean will help the overall quality of your work.

Cleaning of Painted Surfaces

Use a soft brush or lint-free cotton cloth to removed dust and loose particles. Tough dirt can be removed with water and a mild detergent.

Metallurgical Microscope

MEIJI TECHNO



NEVER USE ACETONE OR OTHER HARSH CHEMICALS.

Painted or plastic surfaces should not be tarnished or etched with cleaning agents that are too powerful. To clean painted surfaces, use a moistened lint-free cotton cloth with mild soapy water.

Cleaning the Stage

Use a soft brush or lint-free cotton cloth to remove dust and loose particles.

DO NOT USE ACETONE OR OTHER HARSH CHEMICALS, use a moistened lint-free cotton cloth with a solution of mild soapy water.

Cleaning of Glass Surfaces

Use a soft brush or lint-free cotton cloth to remove dust and loose particles.

For tough dirt, use a soft lint-free cotton cloth moistened with distilled water.

If that fails, try using medical or reagent grade isopropyl alcohol.

Cleaning the Objectives



Objectives should NEVER be disassembled for cleaning or for any other reason! We do not advise cleaning the inside surfaces of objectives or eyepieces.

Use a soft brush, bellows brush or a soft lint-free cotton cloth to removed dust and loose particles.

For tough dirt, use a soft lint-free cotton cloth moistened with distilled water.

If that fails, carefully try using medical or reagent grade isopropyl alcohol.

Wipe lenses immediately. Over time, water and solvents can dissolve optical cements that hold optics together so NEVER soak objectives with ANY type of fluid.

MT7500 and MT8500 Series

MEIJI TECHNO

5.0 Troubleshooting

Meiji Techno products are manufactured exclusively in Japan under ISO9001 manufacturing standards. However, if you ever have any difficulty with any Meiji product, feel free to contact us at:

MEIJI TECHNO CO., LTD. 322-1, Chikumazawa, Miyoshi machi, Iruma-gun Saitama 354-0043, Japan	Phone: 049-259-0111 Fax: 049-259-0113 E-mail: meiji@meijitechno.co.jp Web: http://www.meijitechno.co.jp
Meiji Techno America 3010 Olcott Street Santa Clara, CA 95054-3207	Phone: 800.832.0060 Fax: 408.970.5054 FAX E-mail: technicalsupport@meijitechno.com Web: http://www.meijitechno.com

Our technical staff is trained to assist you on mechanical or electrical issues you may have.

Operational Issues

Please refer to the previous "Operations" chapters which coincide with the observation mode that you are using. The most common operational problems include the improper positioning of contrast accessories, the improper adjustment or the incorrect parts installed. If you are unable to obtain the desired image from the microscope, please refer to the corresponding chapters of this manual under the proper operation mode: brightfield, etc.

Electrical Problems

Electrical problems can include:

- The lamp on the microscope is not working.
- No voltage is present.

Check the following probable causes:

- Check that all power cords are properly connected to the right spots.
- Make sure power is actually present at the wall outlet.
- Check to see if there is a fuse blown.

Metallurgical Microscope

MEIJI TECHNO

5.1 Replacing the mains fuse on the microscope



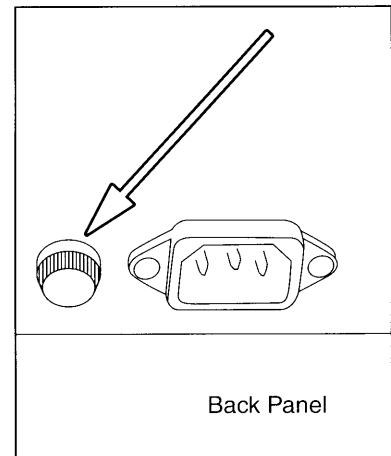
ALWAYS DISCONNECT YOUR EQUIPMENT BEFORE DOING ANY REPAIR.

Location of Mains Fuse

The mains fuse of the MT Series Microscopes is located on the back panel of the microscope as shown.

Instructions to replace the mains fuse:

- Turn the power switch to the off position.
- Unplug the microscope from the wall outlet.
- Loosen the fuse cap from the fuse holder.
- Remove the blown fuse from the fuse cap.
- Replace the fuse with the CORRECT type and rating which is:



Halogen Systems

MA327 3 Amp, 250V, 5 X 20mm

- Reinstall the fuse holder with the new fuse in place.



NEVER USE REPLACEMENT FUSES OF A DIFFERENT RATING.

5.2 Incident Light does not work

- Make sure your mains outlet indeed has power.
- Make sure the plug from the illuminator is firmly plugged into the socket on the power supply.
- Check to see if the mains fuse on the incident light power supply has blown.
- Check to see if the lamp has blown inside the illuminator.

MT7500 and MT8500 Series

MEIJI TECHNO

5.3 Replacing the 12V 50W Halogen Lamp - Incident Illuminator (MT7500/MT8500 series)

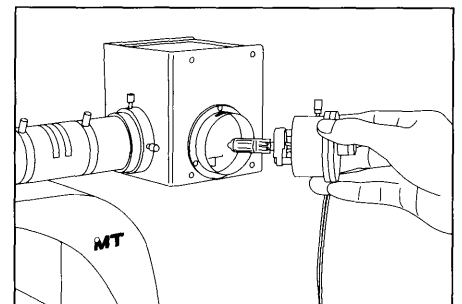
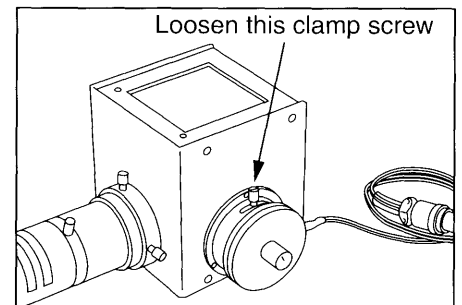
ALWAYS DISCONNECT YOUR EQUIPMENT BEFORE DOING ANY REPAIR.

Do not touch the glass envelope of the lamp during installation. Keep the protective sleeve or bag of the lamp during installation and remove it right after installation.



HOT! LAMP AND LAMP HOUSING MAY BE HOT TO TOUCH.

- Switch off the microscope.
- Disconnect the power cord.
- Wait until the housing and bulb have cooled sufficiently.
- Loosen the clamp screw and direct the backing plate so it can be removed from the housing.
- Remove the defective lamp.
- Place a new lamp into the socket while avoiding touching the glass. Notice the bulb is wrapped in plastic. Use the bag to avoid touching the glass envelope during installation.
- Be sure the bulb is pushed in as far as possible thereby assuring the alignment of the filament in the illuminator.
- Reinstall the lamp cover door.
- Reconnect the power cord and switch on the microscope to align the filament and to verify proper illuminator operation.



Metallurgical Microscope

MEIJI TECHNO

5.4 Replacing the 6V 30W Halogen Lamp - Transmitted (MT8500 series)



CAUTION

ALWAYS DISCONNECT YOUR EQUIPMENT BEFORE DOING ANY REPAIR.

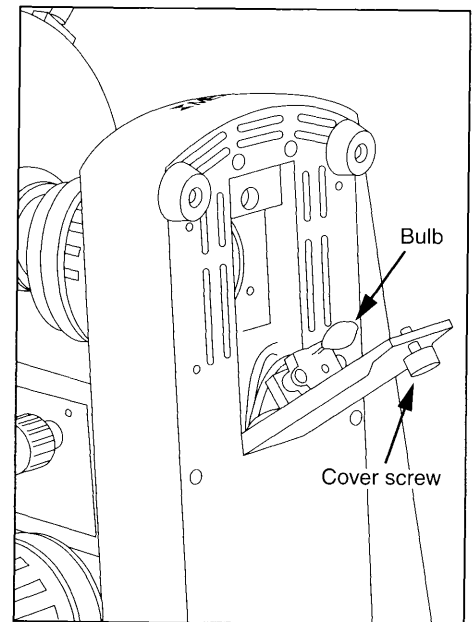
Do not touch the glass envelope of the lamp during installation. Keep the protective sleeve or bag of the lamp during installation and remove it right after installation.



HOT!

LAMP AND LAMP HOUSING MAY BE HOT TO TOUCH.

- Switch off the microscope.
- Disconnect the power cord.
- Wait until the housing and bulb have cooled sufficiently.
- Remove the illuminator cover screws and lift the cover to remove.
- Replace the defective lamp.
- Place a new lamp into the socket while avoiding touching the glass. Notice the bulb is wrapped in plastic. Use it to avoid touching the glass envelope during installation.
- Be sure the bulb is pushed in as far as possible thereby aligning the filament in the illuminator.
- Reinstall the lamp cover door.
- Reconnect the power cord and switch on the microscope to verify proper illuminator operation.



6.0 Storage

- Protect your microscope from dust after each use by covering your instrument with the protective dust cover that came with your microscope.
- Store your microscope in a cabinet that has a stable temperature and low humidity.
- If you live in an area that has high humidity, consider storing your microscope in a sealed container along with a desiccant such as silica gel.
- It is also recommended that the objective and eyepieces be stored in a separate air tight container with desiccant.

MT7500 and MT8500 Series

MEIJI TECHNO

7.0 Packing and Transport

- Whenever the microscope is going to be moved, ship or transport the microscope and the accessories in its original packing.
- It is advisable to keep a copy of all necessary information: copy of the original invoice, the operations manual, etc. included with the microscope when shipping.

8.0 Accessories and Replacements Parts

Part numbers and product descriptions for accessories and parts for MT Series Microscopes can be found listed below. Accessories and replacement parts for all Meiji Techno products are available through our dealer network.

MT7500/MT8500 Series Components & Accessories	
Viewing Heads	
Part Number	Description
MA815	Siedentopf type binocular head, 30° inclined, 30mm I.D. eyetubes (included with MT7520 & MT8520)
MA816	Siedentopf type trinocular head, 30° inclined, 30mm I.D. eyetubes (included with MT7530 & MT 8530)
MA957	Siedentopf Ergonomic type binocular head, adjustable 10-50° inclination, 30mm I.D. eyetubes (optional)
Eyepieces	
MA817	SWH10X Super Widefield High Eyepoint eyepiece, F.N.22 (standard) (accepts 25mm reticle)
MA818	SWH15X Super Widefield High Eyepoint eyepiece, F.N.16 (optional) (accepts 19mm reticle)
MA819	SWH20X Super Widefield High Eyepoint eyepiece, F.N.12 (optional) (accepts 19mm reticle)
MA859	SWH10X-F Super Widefield High Eyepoint focusing eyepiece, F.N.22 (optional) (accepts 25mm reticle)
Brightfield/Darkfield Objectives - Plan Epi - Infinity Corrected - F = 200mm	
MA923	Plan Epi BD5X Objective, N.A.: 0.10, W.D. = 17mm
MA924	Plan Epi BD10X Objective, N.A.: 0.25, W.D. = 7.48mm
MA925	Plan Epi BD20X Objective, N.A.: 0.40, W.D. = 5.20mm
MA926	Plan Epi BD50X Objective, N.A.: 0.75, W.D. = 0.38mm

Metallurgical Microscope

MEIJI TECHNO

Illuminator	
MA928	Vertical Koehler illuminator, 12V 50W halogen lamp, with clear blue, clear green, ND50 neutral density filter and polarizing filters in metal mount (This price does not include transformer.)
	Transformer for MA928 in separate case (input 100V ~ 240V, 12V 50W)
Filters	
	Blue clear filter, 20mm diameter in metal mount (included)
	Green clear filter in metal mount (included)
	ND50 Neutral density filter, 20mm diameter in metal mount (included)
	Polarizing filter, 20mm diameter in metal mount (included)
Miscellaneous Parts & Accessories	
MA941	Ceramic coated flat top stage, 191mm x 126mm with right-handed with drop down coaxial controls (100mm x 100mm x-y travel) (included in MT7500 series)
MA942	Ceramic coated flat top stage 191mm x 126mm with right-handed with drop down coaxial controls and 94.5mm diameter clear glass stage plate (100mm x 100mm x-y travel) (included in MT8500 series)
MA958	Photo/Video attachment for MA957 Ergonomic Head, 80/20 beamsplitter
MA809/10	Replacement 115V AC Power cord with plug (USA)
MA809/20	Replacement 220V AC Power cord with plug (European)
MA809/30	Replacement 220V AC Power cord with plug (UK)
MA523	Cross-Line Reticle, 25mm diameter
MA506	10mm divided into 100 parts, 25mm diameter
MA509	5mm divided into 100 parts, 25mm diameter
MA524	10mm square divided into 400 parts, 0.5mm square, 25mm diameter
MA510	10mm square divided into 100 parts, 1.0mm square, 25mm diameter
MA542	Cross-Line Reticle with 0.1mm graduation, 25mm diameter
MA738	Eyepiece Micrometer for grain sizing in steel, 25mm diameter
MA292	Metal Stage Micrometer, 0.01mm for reflected light
MA906	Eyeshield for MA817 SWH10X Eyepiece (pair included)
MA326	Replacement Lamp, 6V 30W halogen
MA275/05	Replacement Lamp, 12V 50W halogen
MA327	Replacement Fuse, 3A
MA686/05	Adapter to mount RMS thread objective for MT7500 and MT8500 series
MA701	Dust Cover for MT7500/MT8500 Series (standard)

MT7500 and MT8500 Series

MEIJI TECHNO

9.0 Technical Descriptions

Specifications

Power Source	100-230V 50/60Hz
Bulb	<ul style="list-style-type: none"> • MA275/05 Halogen bulb 12V 50W (Iwasaki code : JC12V50W/G1), 3400°K at max. intensity • MA326 Halogen bulb 6V 30W (Philips code : 5761), 3100°K at max. intensity
Bulb Life	<ul style="list-style-type: none"> • 50 hours average for 12V 50W halogen • 100 hours average for 6V 30W halogen
Light Control Method	Voltage control
Normal Environmental Conditions	<ul style="list-style-type: none"> • Indoor use • Altitude up to 2,000 m • MAINS supply voltage fluctuations up to $\pm 10\%$ of the nominal voltage • Temperature : +10 to 36°C (50 to 96.8°F) • Relative Humidity : 0 to 80% up to 30°C (86°F) • Transient overvoltages typically present on the MAINS supply. Note: The normal level of transient overvoltages is impulse withstand (overvoltage) category II of IEC 60364-4-443. • Applicable RATED POLLUTION degree

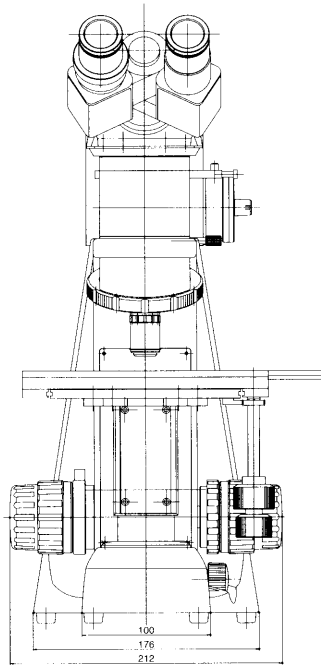
Filters and Applications

<u>Filter</u>	<u>Application</u>
ND50	Neutral Filter or ND Filter. Grey filters or neutral density filters are used to attenuate all frequencies of light equally resulting in preservation of color temperature. The ND50 filter would indicate a reduction of light transmission by 50 percent or a passage of light of 50 percent.
Clear Blue Filter	Clear Blue Filter. Suppresses red wavelengths. Used to achieve desired color balance. Adds alternative contrast to images.
Clear Green Filter	Clear Green Filter. In the past, used for adding contrast for use with Black & White film and still can be used to achieve desired color balance. Adds alternative contrast to images. A green filter usually improves resolution by restricting the waveband reaching the objective.
Polarizing Filter	Polarizing Filter. Used in conjunction with a rotatable analyzer, the polarizing filter changes the angle of light seen in the field of view.

Metallurgical Microscope

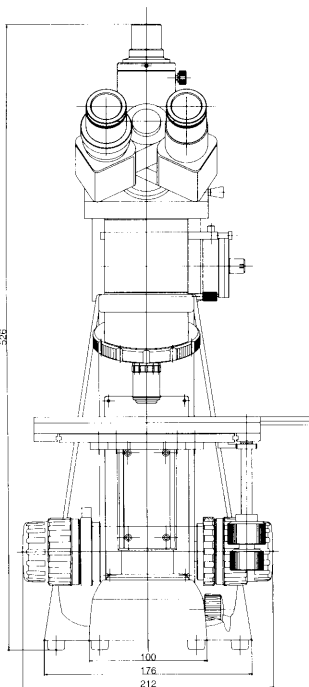
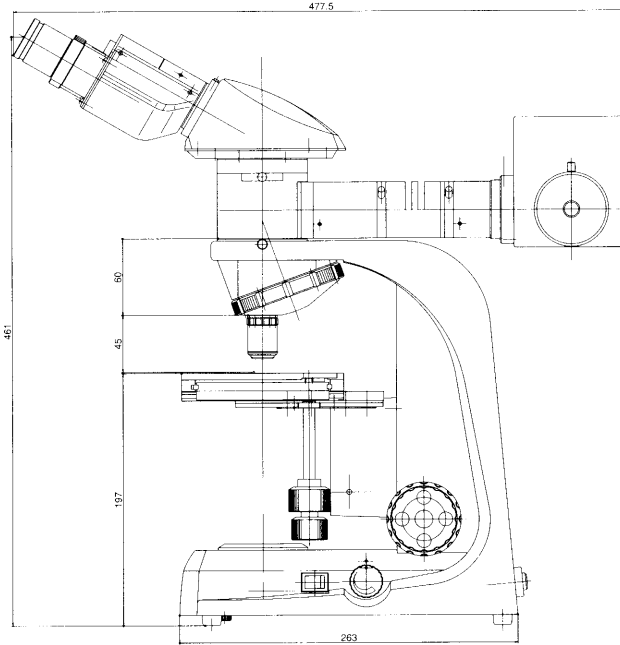
MEIJI TECHNO

10.0 Physical Dimensions



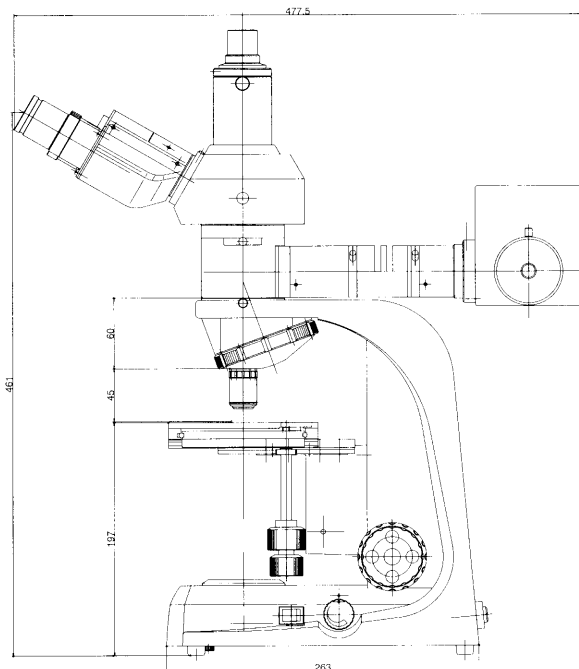
1/1

MT7520



1/1

MT7530



Weight & Dimension :

Binocular head type 477.5mm (D) x 471mm (H) x 212mm (W), 8.9kg for MT7520 and 9.4kg for MT8520
Trinocular head type 477.5mm (D) x 526mm (H) x 212mm (W), 9.6kg for MT7530 and 10.1kg for MT8530



www.MicroscopeWorld.com
800-942-0528 US Toll Free
760-438-0528 International
info@microscopeworld.com



MEIJI TECHNO CO.,LTD.

MEIJI TECHNO CO., LTD.

322-1, Chikumazawa,
Miyoshi machi, Iruma-gun
Saitama 354-0043
Japan

Phone: 049-259-0111
Fax: 049-259-0113
E-mail: meiji@meijitechno.co.jp
Web: <http://www.meijitechno.co.jp>

MEIJI TECHNO AMERICA

3010 Olcott Street,
Santa Clara, CA 95054
U.S.A.

Toll free: (800) 832-0060
Phone: (408) 970-4799
Fax: (408) 970-5054
Email: sales@meijitechno.com
Web: <http://www.meijitechno.com>

MEIJI TECHNO UK, LTD.

The Vineyard, Axbridge
Somerset, BS26 2AN
U.K.

Phone: 01934 733 655
Fax: 01934 733 660
Email: enquiries@meijitechno.co.uk
Web: <http://www.meijitechno.co.uk>

