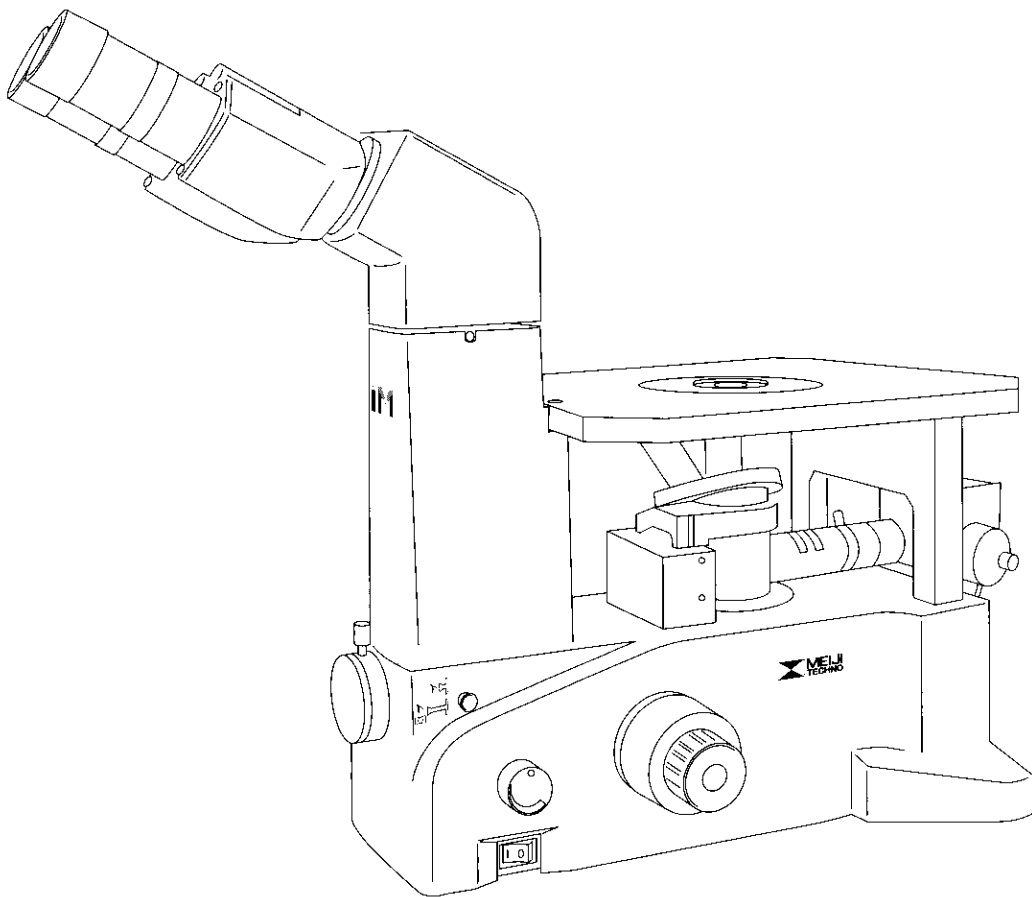




IM7000 Series

Inverted Microscope Instruction Manual



MEIJI TECHNO CO.,LTD.
JAPAN

Table of Contents

1.0 Introduction	2
1.1 Microscope Features	3
1.2 General Safety Guidelines	4
1.3 Warning/Caution symbols used in this manual	4
1.4 Intended Product Use Statement	5
1.5 Product Safety Information - Handling the microscope	5
1.6 Warranty Notes	6
2.0 The Microscope and its Components	8
2.1 Installation Site	9
2.2 Unpacking	9
2.3 Microscope Set Up	10
3.0 Microscope Operation	12
3.1 Incident Light Operation - Brightfield	13
3.2 Incident Light Operation - Polarized Light	15
3.3 Photomicrography with 35mm SLR and Digital SLR Cameras	16
3.4 Photomicrography with Digital Still Cameras	17
3.5 Connecting a Video or Other Camera that uses a "C" type mount	18
4.0 Maintenance and Cleaning	19
5.0 Troubleshooting	21
5.1 Replacing the mains fuse on the microscope	22
5.2 Integrated Incident Light does not work	22
5.3 Replacing the 6V 30W Halogen Light	23
6.0 Storage	24
7.0 Packing and Transport	24
8.0 Accessories and Replacements Parts	25
9.0 Technical Descriptions	26
10.0 Physical Dimensions	27

IM7000 Series

▶MEIJI TECHNO

IM-7000 Series Inverted Metallurgical Microscope

1. Introduction

The Meiji Techno IM-7000 Series inverted metallurgical microscopes have a slim wedge shaped design that saves bench space and offers excellent stability. All of the IM-7000 Series controls are ergonomically positioned to provide comfort and extended ease of use for the operator. An integrated 6V/30W vertical Koehler halogen illuminator with a variable intensity control and automatic voltage sensing power supply provides excellent specimen illumination and contrast.

The IM-7000 Series is designed to meet your most diverse needs for materials research. Meiji's IM Series is well suited for examination of mounted metallurgical specimens or for routine quality inspections such as, microstructure analysis, various materials testing, QA and QC examination and photomicrography.

The IM-7000 Series Microscopes offer crisp, distortion-free, high resolution images in multiple modes of operation and the built-in photo port on the front of the body makes image documentation quick and easy. Contrast methods available include: Brightfield and Polarized Light observation modes.

Inverted Microscope

MEIJI TECHNO 

1.1 Microscope Features

- CAD Designed Frame and Optics
- Slim Compact Footprint
- Infinity Corrected Optical System (F=200mm)
- Low Positioned Ergonomic Coaxial Course and Fine Focus Controls
- Smooth Operating Quintuple Side Facing Nosepiece
- Rugged Metal Stage Plate Insert
- Optional Mechanical Stage (MA875)
- Brightfield and Polarized Light Observation Modes
- Integrated Pre-Centered 6V 30-watt Halogen Illumination System
- Siedentopf-type Binocular and Trinocular Viewing Heads
- Super Wide High Eyepoint Eyepieces
- 50X to 1000X Magnification Range
- Automatic Voltage Sensing Power Supply with detachable power cord
- Integrated Front Mounted Camera Port
- Upright and correct image
- Wide Range of Filters and Accessories

IM7000 Series

MEIJI TECHNO

1.2 General Safety Guidelines

This manual contains important safety instructions and information concerning the installation, operation and maintenance of the Meiji Techno IM-7000 Series inverted metallurgical microscopes.


This manual should be read carefully before any attempt is made to operate this equipment. To ensure safe operation the user must read and adhere to all of the directions put forth in this manual.


Meiji Techno products are designed for safe operation under normal operating conditions. The instrument and accessories described in this manual have been built and tested according to industry safety standards for electronic laboratory instruments. Incorrect usage or non-conformance to operating instructions can cause personal injury or damage to equipment or property.

It is advised to keep this manual near your instrument for easy reference.


1.3 Warning/Caution Symbols Used in this Manual


You must be aware of all safety issues when you install and operate this microscope system. Several warning and caution symbols are listed below. These symbols are used throughout this instruction manual. For your safety, be sure to follow all instructions associated with the symbols listed below.

 **DANGER** Disregarding instructions marked with this symbol may lead to serious bodily injury or possibly death.

 **WARNING** Operational warning; failure to operate equipment properly may result in damage or injury.

 **WARNING** Possible electrical shock hazard exists

 **CAUTION** Disregarding instructions marked with this symbol may lead to serious injury or property damage.

 **HOT!** Caution for heat or hot surfaces. Risk of burns or serious injury!

 **NOTE** This symbol designates technical note or product tip.


Inverted Microscope

MEIJI TECHNO ◀▶

1.4 Intended Product Use

Product Disclaimer: This product is designed and intended for use only as a metallurgical microscope system. Modifying this instrument in any way for use in any situation other than the original and intended product design will automatically void the warranty. In no event shall Meiji Techno be liable to any person for any incidental, indirect or consequential damages, arising out of or in connection with the use or performance of a modified or altered product.

1.5 Product Safety Information- Handling the Microscope

 **CAUTION** This microscope is not intended to be used in the immediate vicinity of water or a water outlet or placed in any location where water may penetrate the instrument. Water penetration may result in electrical shock or death. Choose only a suitable environment for your microscope.

Do not subject the microscope to extreme temperature fluctuations. Extreme temperature changes may lead to condensation within the microscope which may result in damage to the optical and electrical components.

Disassembly of the instrument may result in electrical shock, injury or death, equipment damage, loss of warranty coverage or may create other potential hazardous consequences.

Always turn off the power switch and disconnect the cord from the power supply when replacing fuses, connecting or disconnecting wiring, doing general maintenance or replacing the microscope lamp.

 **WARNING**

DO NOT OPERATE UNLESS THE UNIT IS PROPERLY GROUNDED!

Use only the specified power cord in a well grounded socket. Do not use in an ungrounded power receptacle or in cases where there is a break in the ground conductor or damage to the electrical wiring.

Only fuses of the specified type and rating are to be used as replacements. Switch off the power and disconnect the power cord before replacing fuses. Use of a non-compliant fuse may result in electrical shock or severe damage your equipment.

The lamp and lamp house become extremely hot during and after operation. Do not place any highly flammable or volatile material close to the lamp-house during or after operation. Do not touch the lamp house or attempt to replace the bulb for at least 30 minutes after the unit has been turned off or injury may result.

IM7000 Series

MEIJI TECHNO

Do not obstruct the air vents on the lamp-house or power supply. The lamp housing and power supply should must be located at least 10 cm (4 inches) away from the wall or any combustible objects.

Modifying the instrument in any way or unauthorized attempts to disassemble or use the instrument for applications other than its intended design will automatically void the warranty.

1.6 Warranty Notes

Meiji Techno warrants this product against defects in material and/or workmanship for the life of the instrument from the date of the original purchase to the original purchaser. Meiji Techno will repair or replace, at its option, any instrument which under normal conditions of use and service proves to be defective in material or workmanship. No charge will be made for labor or materials with respect to defects covered by this warranty, provided all repair work is done by Meiji Techno.

This warranty does not cover expenses incurred in the removal or reinstallation of any instrument or instruments, whether or not proven defective. Replacement or repairs furnished under this warranty are subject to the same terms and conditions of the original warranty. This warranty supersedes any other warranty and is subject to the following terms and conditions:

WARRANTY

Warranty of Meiji Techno's product extends to the original purchaser of the product and is not transferable.

WARRANTY DURATION

Meiji Techno warrants this product against defects in material and/or workmanship for the life of the instrument from the date of original purchase to the original purchaser. The electrical warranty is one year.

OWNER'S REGISTRATION CARD

Return of the owner's registration card by the original purchaser within ten (10) days after the original purchase is a condition precedent to coverage under this warranty. Meiji Techno will at its option accept written proof of purchase from the original owner in lieu of a product registration card.

EXCLUSIONS AND LIMITATIONS

Specifically excluded from this warranty are failures caused by abuse, neglect, misuse, improper operation, normal wear, accident, improper maintenance or modifications of ANY type. This warranty does not cover repair or replacement where normal use has exhausted the life of a part or instrument. All mechanical devices need periodic parts replacement and service to perform well. Service life of an instrument is dependent upon the care it receives and the conditions under which it has to operate. In no event shall Meiji Techno be liable for incidental or consequential damages.

Inverted Microscope

MEIJI TECHNO 

SERVICE

To obtain service under this warranty, please contact Meiji Techno directly and ask for the Product Service Department. State the nature of the problem, model and serial number of the instrument, date of purchase and location and name of the distributor the instrument was purchased from. After verification of warranty registration, Meiji Techno will issue a return authorization number. Customer may then return the product postage prepaid and insured to the authorized repair facility.

In most instances, requests for warranty service will be performed in a prompt and routine manner and merchandise will be returned in a reasonable period of time or at Meiji Techno's convenience. In some cases, requests for warranty service are received which are not justified. In these cases, Meiji Techno will provide an explanation for non-warranty action.

WARRANTY TERMS

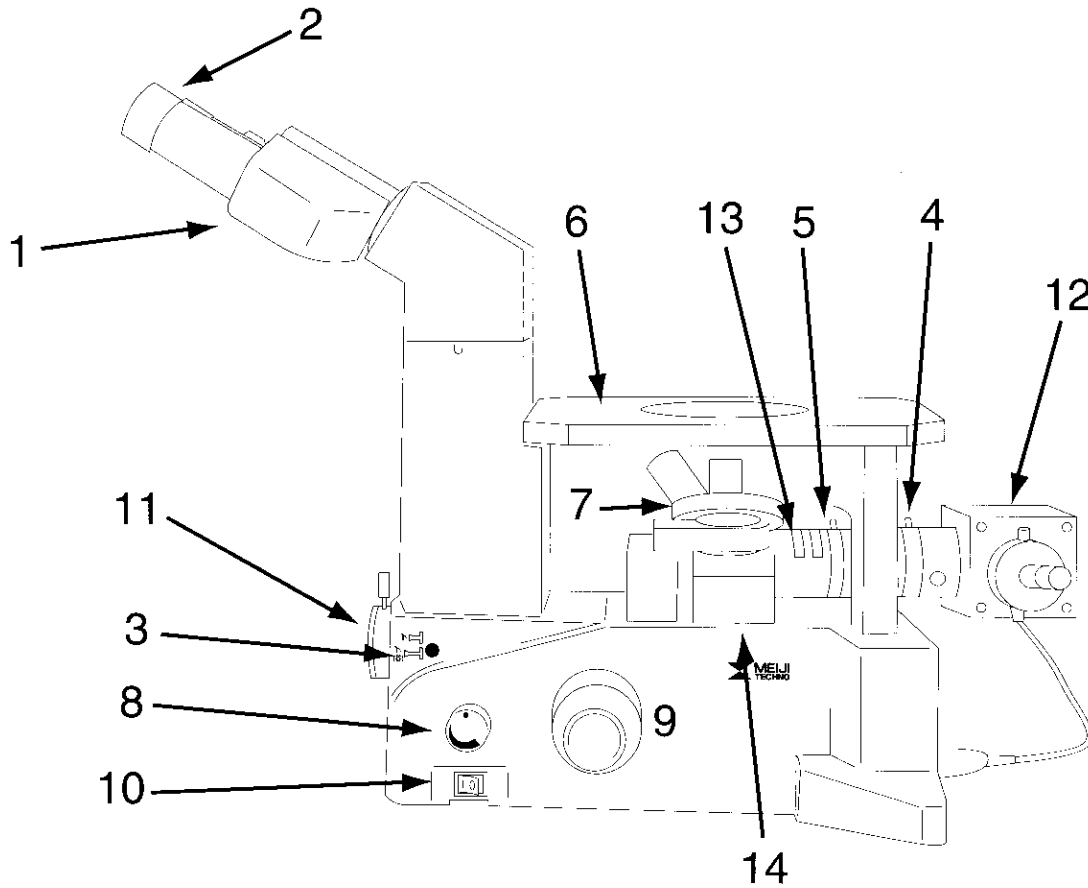
The terms of this warranty may not be varied by any person, whether or not purporting to represent or act on behalf of Meiji Techno. The limited lifetime warranty provided is in lieu of any and all warranties, expressed or implied, whether for merchantability or fitness for a particular purpose or otherwise. Liability for consequential damages under any, and all warranties are excluded to the extent exclusions are permitted by law. This warranty gives you specific legal rights and you may also have other rights which vary from state to state. This warranty sets forth the customer's exclusive remedy, with respect to defective products. This limited warranty shall become null and void in the event of a violation of the provisions of this limited warranty.

IM7000 Series

▶MEIJI TECHNO

2.0 The Microscope and its Components

The image below designates the main components of the IM-7100 Series Inverted Metallurgical Microscope.



1. Binocular Head, 30° Inclination
2. Eyepieces, SWH10X (15X & 20X optional)
3. Beamsplitter for Front Camera Port
4. Aperture Diaphragm
5. Field Iris Diaphragm
6. Specimen stage
7. Quintuple Nosepiece & Brightfield Objectives
8. Low Positioned Variable Brightness Control
9. Coaxial Coarse and Fine Focusing Controls
10. Power Switch
11. Front Camera Port
12. Integrated Illuminator 6V 30W
13. Filter Slots (2)
14. Slide In Semi-Rotatable Analyzer

Inverted Microscope

MEIJI TECHNO

2.1 Installation Site


The microscope should be operated in a room with as little dust as practically possible. Keep your instrument away from solvents, chemical fumes and excessive humidity. Also try to avoid big swings in ambient temperature, direct sunlight and vibration as they can affect measurements and instrument performance.

Operating Ambient Conditions

Temperature: 10 - 36°C (50 - 96.8°F)
Relative Humidity: 0 - 80% up to 30°C (86°F)

2.2 Unpacking

Please check your packing slip to insure that all materials are present. Keep a copy for your records so that you have the proper information when ordering more equipment, ordering replacement parts or accessories or when calling for technical support. Please make sure that no small pieces or parts are left in the packing material. Keep the packing materials in a safe place for the purpose of storage and transporting the microscope and its accessories.

 **ATTENTION** Avoid touching the surface of optical components such as lenses, filters and glass surfaces. Even very small traces of perspiration or finger oils can corrode the surfaces of optics in a short period of time.

IM7000 Series

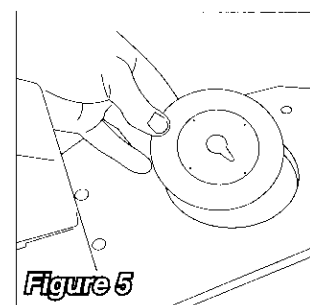
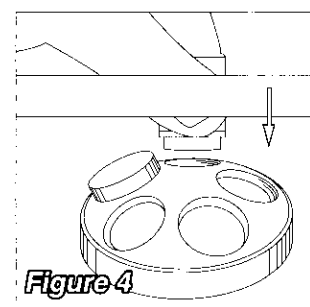
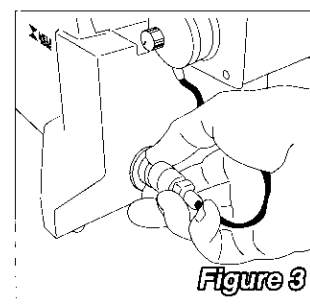
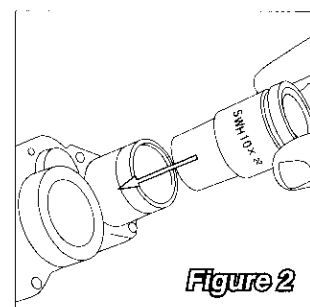
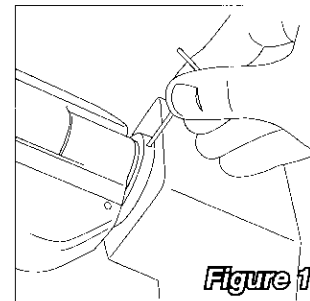
MEIJI TECHNO

2.3 Microscope Set Up

1. As a first step, remove all components from the shipping container and remove the packing materials. Save the container and packing in a dry location.
2. Place the microscope frame on a stable work surface.

DO NOT PLUG IN THE MICROSCOPE AT THIS POINT.

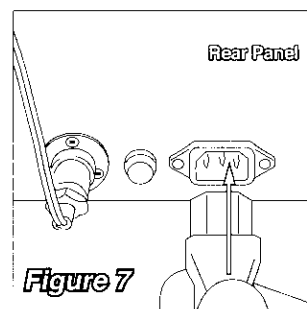
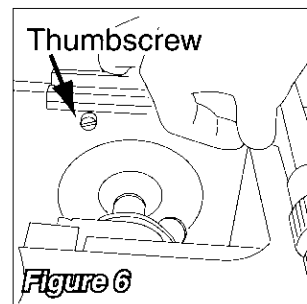
3. Loosen the clamp screw on the microscope limb with the supplied 2mm allen wrench and then install the binocular head (MA814) and re-tighten the clamp screw while the head is in the correct position as shown in Figure 1.
4. Install the two eyepieces (MA817) by sliding them into the head as shown in Figure 2. The rubber eyeshields on top of each eyepiece can be folded down if the user is an eyeglass wearer. The eyepieces for IM-7000 Series are a standard 30mm diameter.
5. Connect the cable from the transmitted-light illumination carrier to the power supply via the power socket on the rear of the instrument as shown in Figure 3.
6. Remove the objectives from their objective cases while being careful not to touch any part of the optics. Then, screw each objective into a nosepiece opening after removing each nosepiece dust plug. Install them as shown in Figure 4.
7. Next, install the metal stage plate insert into the center of the stage as shown in Figure 5.



Inverted Microscope

MEIJI TECHNO ◀◀

8. If purchased, un-wrap the mechanical stage (MA875). Locate the two holes on the bottom side of the plain stage on the right hand side. The two thumbscrews will attach the mechanical stage to the plain stage as shown in Figure 6. Tighten the thumbscrews snugly. Verify full un-restricted travel and movement with the coaxial controls.
9. Plug the power cord into the microscope as shown in Figure 7 and the other end into a grounded outlet. Your IM has a voltage sensing power supply so it can use voltage from any country in the world from 100 volts to 240 volts AC.



⚠ CAUTION

The mains power cord should only be plugged into a known grounded outlet. Contact your facilities technician if you are unsure of your mains outlet status. A simple outlet tester can be used to verify correct outlet polarity and the presence of a grounded circuit.

If no other accessories are going to be installed, the instrument is now ready for use.

IM7000 Series

▶MEIJI TECHNO

3.0 Operation

Once the microscope has been setup in its working location with all of the components correctly installed, it is ready for use.

Your IM-7000 is a precision instrument designed to last a lifetime. Always handle your microscope with care and avoid abrupt motion, vibration and shock.

Do not install any bulb in your instrument other than the ones designated by Meiji Techno:

MA326	6V 30W Halogen	For Integrated Incident Illuminator, IM-7000
-------	----------------	--

Always disconnect the power cord from the back of the microscope when not being used, when cleaning your instrument or when making any repairs.

⚠CAUTION Avoid Dismantling

Never attempt to dismantle the instrument. This will void your warranty and could possibly lead to the instrument no longer performing accurately.

Inverted Microscope

MEIJI TECHNO

3.1 Incident Light Operation - Brightfield

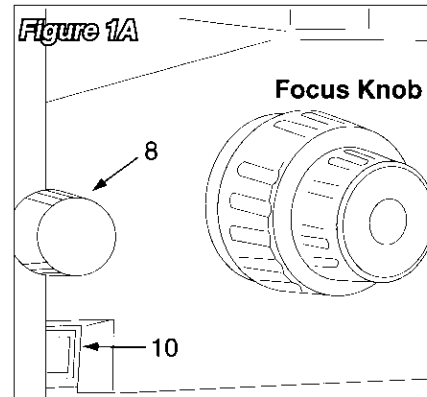
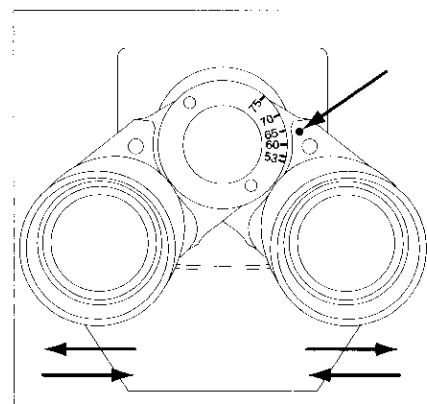
1. First, set your interpupillary distance on the microscope eyetubes by pulling them apart or pushing them closer together to fit your eyes.

When set correctly, one will see one uniform round field of view. Make note of the distance setting when adjusted to your liking so you can later repeat the setting.

interpupillary distance



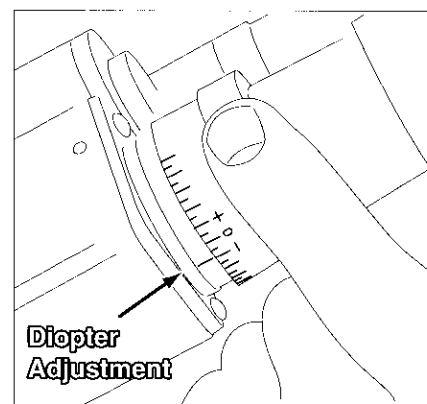
2. Turn on the microscope power switch as shown in Figure 1a marked number 10. Adjust the brightness desired with the variable brightness control knob shown as number 8 in Figure 1a.
3. Make sure the aperture diaphragm and field iris diaphragm levers are all the way to the left (maximum opened) to start. The aperture diaphragm and field iris are in front of the incident illuminator.
4. We recommend to initially use a specimen that has areas of high and low contrast. Place a specimen on the stage.
5. Select a lower power objective like the 10X to find the area of interest on the specimen quickly. Be sure the objective "clicks" into place when you turn the nosepiece to select an objective.
6. By using the coarse and fine focus knobs shown in Figure 1a, adjust your specimen into focus with your left eye closed (looking only through the right eyetube). With the specimen in focus, close the right eye and open the left. If the specimen is out of focus for the left eye, adjust the diopter on the eyetube until the focus is correct.



The microscope is now adjusted for this user.

Focusing eyetubes allows us to compensate for an individual users eye sight.

If you wear glasses, you may want to fold down the rubber eyeguards out of the way.



CAUTION Never turn the left and right hand focus knobs in the opposite direction as damage to the mechanism may result.

IM7000 Series

▶MEIJI TECHNO

The aperture iris diaphragm located in front of the integrated incident illuminator and can be "stopped down" or closed somewhat to give the observation of your specimen more contrast or resolving power. Stopping down the diaphragm decreases resolution and brightness but increase image contrast and depth of focus.

Objectives Information



Depending on which objective is being used, before turning the nosepiece to change magnifications, the nosepiece will need to be lowered with the coarse focus knob in some instances otherwise an objective may crash into the stage if caution is not used.

Possible Brightfield Mode Operational Problems

If normal adjustments are not getting the results you expect, check to see if these conditions exist:

- Incorrect components inadvertently installed
- Dirty or smudged optics

IM-7000 Brightfield Objectives

Brightfield Objectives - Planachromat - Infinity Corrected - F = 200mm	
MA870	Planachromat E5X objective $\infty/0$, NA: 0.10, WD = 20.0mm, F.L.= 40.0 (included)
MA871	Planachromat E10X objective $\infty/0$, NA: 0.25, WD = 7.48mm, F.L.= 20.0 (included)
MA872	Planachromat E20X, objective $\infty/0$, NA: 0.40, WD = 5.2mm, F.L.= 10.0 (included)
MA873	Planachromat E50X objective $\infty/0$, NA: 0.75, WD = 0.37mm, F.L.= 4.0 (included)
MA874	Planachromat E100X objective $\infty/0$, NA: 0.90, WD = 0.34mm, F.L.= 2.0 (optional)

Inverted Microscope

MEIJI TECHNO

3.2 Incident Light Operation - Polarized Light

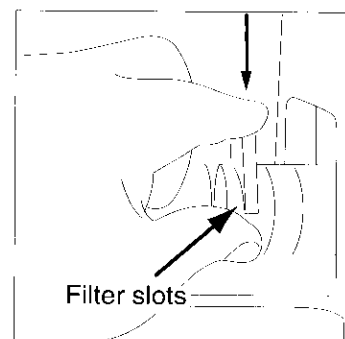
Polarized light microscopy is a very useful technique for high-contrast images of oblique specimens and small plastic, glass and metal parts.

Meiji Techno's IM-7000 Series features a fixed polarizer and a rotatable analyzer.

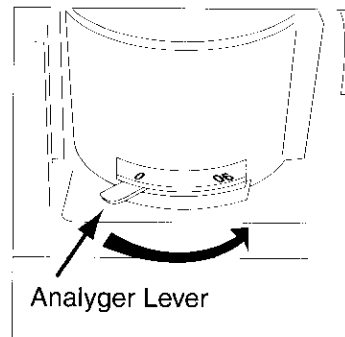
Setting Up Polarized Light Mode

1. Install the polarizing filter into one of the two available filter slots just in front of the incident illuminator as shown in the photo.
2. Set the specimen on the stage and bring the specimen into sharp focus.
3. While observing the specimen, adjust the analyzer lever and note the change in contrasting.

The lever can be left in a position suitable to observe the specimen.



***NOTE** Other filters can be used in tandem with the polarizing filters further enhancing the contrast. Film cameras and other imaging devices can also benefit by the judicious use of filters.



Possible Polarized Light Mode Operational Problems

If normal adjustments are not getting the results you expect, check these:

- Aperture diaphragm is completely closed.
- Specimen shape too thick to observe.
- If the specimen being observed is too thick, phase shifting can distort image details.

IM7000 Series

▶MEIJI TECHNO

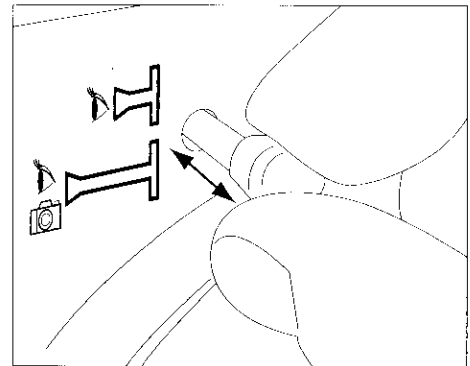
3.3 Photomicrography with 35mm SLR and Digital SLR Cameras

The IM Series of microscopes have a camera port directly in front of the instrument. In order to secure a 35mm SLR camera body to this microscope, an optional camera attachment part number MA869 will need to be attached to the front camera port of the IM with the corresponding T2 Adapter Ring that matches the camera to be used. The table below shows the different cameras and adapter rings that can be used:

T2-1	Canon
T2-2	Minolta
T2-3	Pentax K
T2-4	Pentax S (threaded)
T2-5	Nikon
T2-6	Olympus
T2-7	Contax, Yashica
T2-8	Konica
T2-9	Canon EOS
T2-10	Minolta Alpha / Maxim 2000

***NOTE** Magnification at film plane will be 2.23X of the objective that is in use.

To direct the image to the front camera port, the beamsplitter lever will need to be engaged as shown in the illustration on the right.



Inverted Microscope

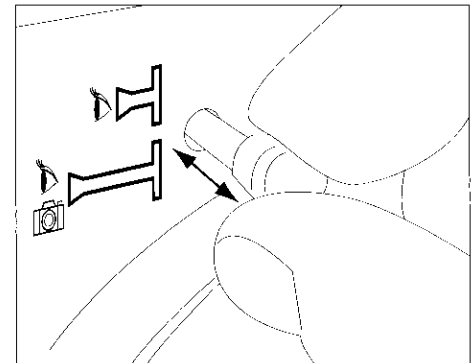
MEIJI TECHNO

3.4 Photomicrography with Digital Still Cameras

In order to mount a consumer grade digital camera to this microscope, an optional camera attachment MA868 plus a camera adapter will be needed to attach to the front camera port of the IM. The table below shows the different cameras that can be used and their corresponding DC Series adapter:

Camera Model	Nikon Coolpix 5000	Nikon Coolpix 5400	Nikon Coolpix 5700, 8700	Olympus Camedia C-2000, C-2020, C-3000, C-3030, C-3040, C-4040, C-3100, C-5050, C-4100	Olympus Camedia C-700, C-720, C-740, C-750, C-730, C-755, C-760, C-770
Camera Thread Diameter	46mm	45mm	53.4mm	41mm	45.6mm
Adapter Thread Diameter	52mm	52mm	52mm	52mm	52mm
Adapter Number	DC-B6	DC-B13	DC-B7	DC-B1	DC-B5

To direct the image to the front camera port, the beamsplitter lever will need to be engaged as shown in the illustration on the right.



IM7000 Series

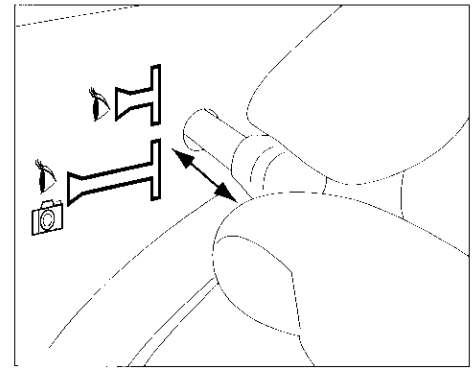
▶MEIJI TECHNO

3.5 Connecting a Video or Other Camera that has a "C" type mount

In order to secure a camera that employs a standard "C" mount type camera to this microscope, an optional camera attachment part number MA877 will need to be attached to the front camera port of the microscope.

***NOTE** Magnification at the image plane will be 0.66X of the objective that is in use.

To direct the image to the front camera port, the beamsplitter lever will need to be engaged as shown in the illustration on the right.



Inverted Microscope

MEIJI TECHNO

4.0 Maintenance and Cleaning

WARNING

- Disconnect the power cord on your equipment prior to performing cleaning, maintenance or repair.
- Keep electrical components away from moisture or humidity.
- In warm humid climates, take special care to prevent your equipment from exposure to fungal growth.
- Clean the microscope after each use. Keeping your microscope clean will insure its proper operation over its lifetime.

Dust Protection

Be sure to use the supplied dust cover with your microscope after each work session.

Cleaning

Dust and fibers can cause "background fluorescence" during fluorescence microscopy so keeping your microscope clean can help the overall quality of your work.

Cleaning of Painted Surfaces

Use a soft brush or lint-free cotton cloth to removed dust and loose particles.
Tough dirt can be removed with a water and a mild detergent.

CAUTION NEVER USE ACETONE OR OTHER HARSH CHEMICALS.

Painted or plastic surfaces should not be tarnished or etched with cleaning agents that are too abrasive.

To clean painted surfaces, use a moistened lint-free cotton cloth with mild soapy water.

Cleaning the Stage

Use a soft brush or lint-free cotton cloth to removed dust and loose particles.

DO NOT USE ACETONE OR OTHER HARSH CHEMICALS, use a moistened lint-free cotton cloth with a solution of mild soapy water.

IM7000 Series

▶MEIJI TECHNO

Cleaning of Glass Surfaces

Use a soft brush or lint-free cotton cloth to removed dust and loose particles.

For tough dirt, use a soft lint-free cotton cloth moistened with distilled water.

If that fails, try using medical or reagent grade isopropyl alcohol.

Cleaning the Objectives

 **DANGER**

Objectives should NEVER be disassembled for cleaning or for any other reason! We do not advise cleaning the inside surfaces of objectives or eyepieces.

Use a soft brush, bellows brush or a soft lint-free cotton cloth to removed dust and loose particles.

For tough dirt, use a soft lint-free cotton cloth moistened with distilled water.

If that fails, carefully try using medical or reagent grade isopropyl alcohol.

Wipe lenses immediately after use.

Over time, water and solvents can dissolve optical cements that hold optics together so NEVER soak objectives with ANY type of fluid.

5.0 Troubleshooting

Meiji Techno products are manufactured in Japan under ISO9001 manufacturing standards. However, if you ever have any difficulty with any Meiji product, feel free to contact us at:

Meiji Techno America

2186 Bering Drive

San Jose, CA 95131

800.832.0060

408.428.0472 FAX

technicalsupport@meijitechno.com

<http://www.meijitechno.com>

Our technical staff is trained to assist you on mechanical or electrical issues you may have. Problems in regard to specimens and specimen preparation, etc. are beyond the scope of this manual.

Operational Issues

Please refer to the previous "Operations" chapters which coincide with the observation mode that you are using.

If you are unable to obtain the desired image from the microscope, please refer to the corresponding chapters of this manual under the proper operation mode: brightfield, polarized light, etc.

Electrical Problems

Electrical problems can include:

- The lamp on the microscope is not working.
- No voltage is present.

Check the following probable causes:

- Check that all power cords are properly connected to the right spots.
- Make sure power is actually present at the wall outlet.
- Check to see if there is a fuse is blown.

IM7000 Series

▶MEIJI TECHNO

5.1 Replacing the mains fuse on the microscope

⚠ CAUTION

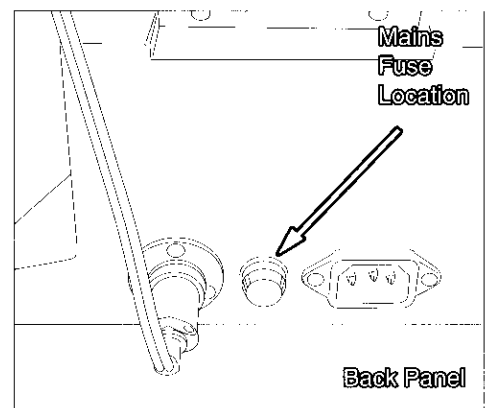
ALWAYS DISCONNECT YOUR EQUIPMENT BEFORE DOING ANY REPAIR.

Location of Mains Fuse

The mains fuse of the IM Series Inverted Microscopes is located on the back panel of the microscope as shown.

Instructions to replace the mains fuse:

- Turn the power switch to the off position.
- Unplug the microscope from the wall outlet.
- Loosen the fuse cap from the fuse holder.
- Remove the blown fuse from the fuse cap.
- Replace the fuse with the CORRECT type and rating which is:
IEC Standard 5 X 20mm 3amp Fast-Acting such as Littelfuse 217 Series or Bussmann GDB Series
- Reinstall the fuse holder with the new fuse installed.*



☠ DANGER

NEVER USE REPLACEMENT FUSES OF A DIFFERENT RATING.

5.2 Integrated Incident Light does not work

- Make sure the plug from the lamp is firmly plugged into the correct socket on the rear panel.
- Check to see if the mains fuse has blown.
- Check to see if the lamp has blown.

Inverted Microscope

MEIJI TECHNO▶▶

5.3 Replacing the 6V 30W Halogen Light

CAUTION

ALWAYS DISCONNECT YOUR EQUIPMENT BEFORE DOING ANY REPAIR.

Do not touch the glass envelope of the lamp during installation. Keep the protective sleeve or bag of the lamp during installation and remove it right after installation.

HOT!

LAMP AND LAMP HOUSING MAY BE HOT TO THE TOUCH.

Switch off the microscope.

Disconnect the power cord.

Wait until the housing and bulb have cooled sufficiently.

Simply turn the chrome screw on the side of the illuminator counterclockwise 1/2 a turn as shown in the photo.(Figure A)

Gently guide the bulb socket out of the housing as shown.(Figure B)

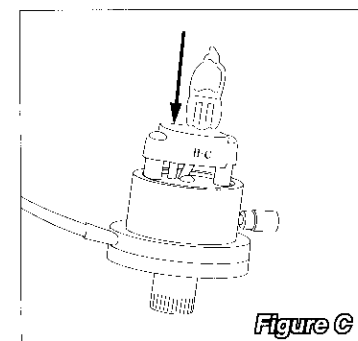
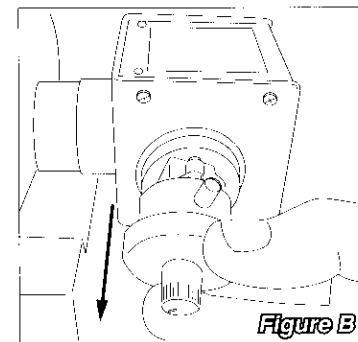
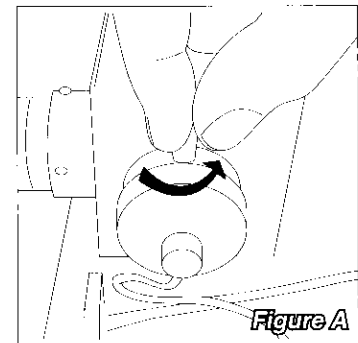
Place a new lamp into the socket while avoiding touching the glass. Keep the bulb is wrapped in plastic to avoid touching the glass envelope.

Be sure the bulb is pushed in as far as possible thereby aligning the filament in the illuminator.(Figure C)

Reinstall the lamp housing making sure the set screw goes into the notch on the housing.

Reconnect the power cord and switch on the microscope to verify proper illuminator operation.

If the filament needs alignment, use the black knob on the bulb socket housing to make adjustments.



IM7000 Series

▶MEIJI TECHNO

6.0 Storage

Protect your microscope from dust after each use by covering your instrument with the protective dust cover that came with your microscope.

Store your microscope in a cabinet that has a stable temperature and low humidity.

If you live in an area that has high humidity, consider storing your microscope in a sealed container along with a desiccant such as silica gel.

It is also recommended that the objective and eyepieces be stored in a separate air tight container with desiccant.

7.0 Packing and Transport

Whenever the microscope is going to be moved, ship or transport the microscope and the accessories in its original packing.

It is advisable to keep a copy of all necessary information: copy of the original invoice, the operations manual, etc. included with the microscope when shipping.

Inverted Microscope

MEIJI TECHNO

8.0 Accessories and Replacements Parts

Part numbers and product descriptions for accessories and parts for IM Series Inverted Microscopes can be found listed below. Accessories and replacement parts for all Meiji Techno products are available through our dealer network.

Feel free to contact us a call so we may direct you to the closest authorized Meiji Techno Dealer in your area. Call us toll free (800) 832-0060 Monday through Friday 9am - 5pm PST.

IM Series Components & Accessories

Eyepieces	
Part Number	Description
MA817	SWH10X Super Widefield High Eyepoint eyepiece, FN22 (standard)
MA818	SWH15X Super Widefield High Eyepoint eyepiece, FN16 (optional)
MA819	SWH20X Super Widefield High Eyepoint eyepiece, FN12 (optional)
MA859	SWH10X-F Super Widefield High Eyepoint focusing eyepiece, FN22 (optional)
Brightfield Objectives - Planachromat - Infinity Corrected (F=200mm)	
MA870	Planachromat E5X objective, NA: 0.10, Working Distance = 20.9mm, F.L = 40.0 (standard)
MA871	Planachromat E10X objective, NA: 0.25, Working Distance = 7.7mm, F.L = 20.0 (standard)
MA872	Planachromat E20X objective, NA: 0.40, Working Distance = 5.6mm, F.L = 10.0 (standard)
MA873	Planachromat E50X objective, NA: 0.75, Working Distance = 0.38mm, F.L = 4.0 (standard)
MA874	Planachromat E100X objective, NA: 0.90, Working Distance = 0.37mm, F.L = 2.0 (optional)
Miscellaneous Parts & Optional Accessories	
MA475/05	LB100 Blue Filter in 20mm diameter mount
MA476	G533 Green Filter in 20mm diameter mount
MA774	ND50 Neutral Density filter in 20mm mount
MA875	Mechanical Stage 112mm(X) by 71mm(Y) with right handed coaxial drop down controls
MA876	Replacement Metal Insert for Stage
MA809	Replacement AC Power cord for IM Series
MA326	Spare halogen bulb, 6 volt 30 watt
MA327	Replacement 3A Fuse
MA907	Dust Cover

IM7000 Series

◀MEIJI TECHNO

9.0 Technical Descriptions

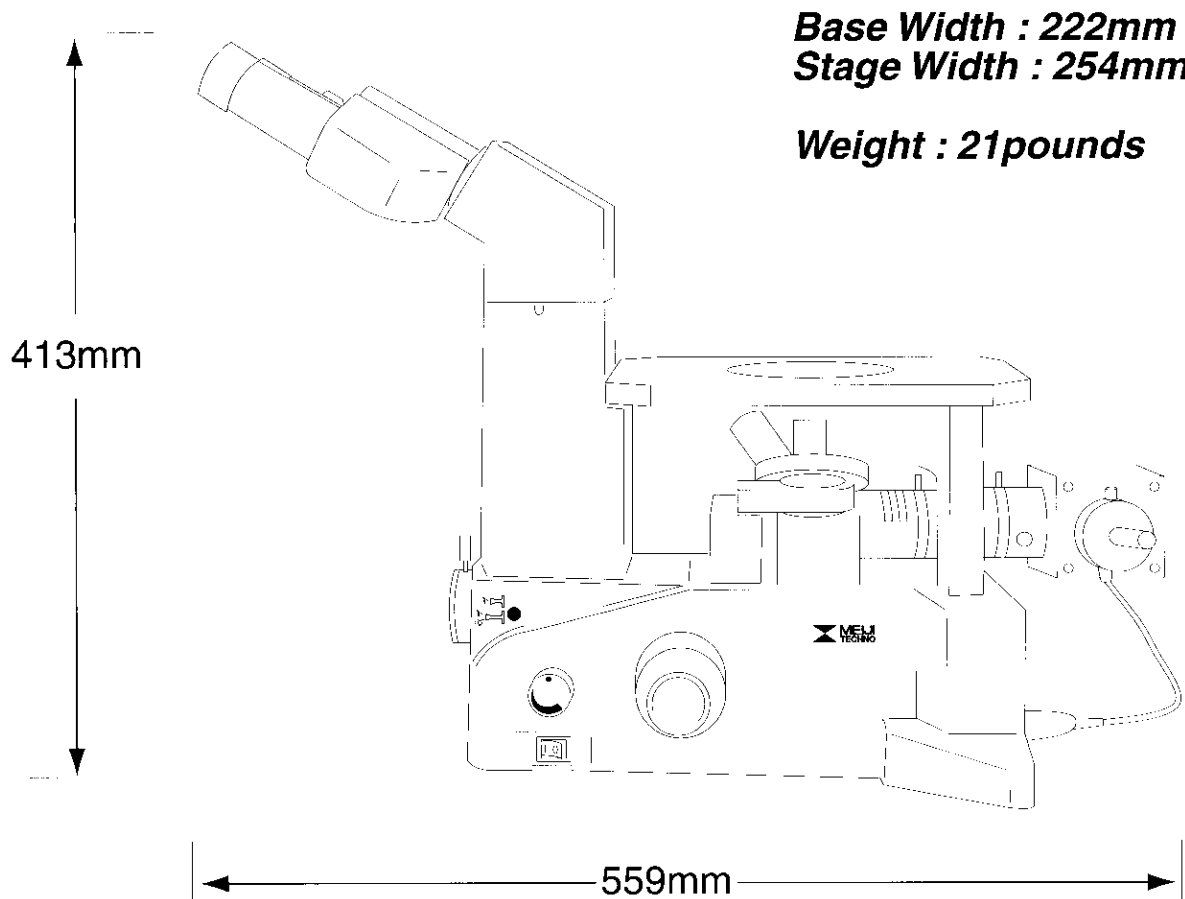
Filters and Applications

Filter	Application
MA774 ND50	Neutral Filter or ND Filter. Grey filters or neutral density filters are used to attenuate all frequencies of light equally resulting in preservation of color temperature. The ND50 filter would indicate a reduction of light transmission by 50 percent or a passage of light of 50 percent.
MA475/05 LB100	Color Temperature Blue Filter. Suppresses red wavelengths in fluorescence applications. Provides a mired shift of -100.
MA476 G533	Clear Green Filter. Provide contrast enhancement of complimentary colors of blue and red on black & white or tungsten-balanced color transparency films.
MA497 POL	Polarizing Filter. A filter that polarizes light that passes through it.

Inverted Microscope

MEIJI TECHNO

10.0 Physical Dimensions





www.MicroscopeWorld.com
800-942-0528 US Toll Free
760-438-0528 International
info@microscopeworld.com



Meiji Techno Co. Ltd.

MEIJI TECHNO AMERICA
2186 Bering Drive
San Jose, CA 95131

Toll free: (800) 832-0060
Phone: (408) 428-9654
Fax: (408) 428-0472
Email: sales@meijitechno.com
Web: <http://www.meijitechno.com>

MEIJI TECHNO CO., LTD.
322-1, Chikumazawa,
Miyoshi machi, Iruma-gun
Saitama 354-0043, Japan

Phone: 049-259-0111
Fax: 049-259-0113
E-mail: meiji@meijitechno.co.jp
Web: <http://www.meijitechno.co.jp>

MEIJI TECHNO UK, LTD.
The Vineyard, Axbridge
Somerset, BS26 2AN

Phone: 01934 733655
Fax: 01934 733660
Email: enquiries@meijitechno.co.uk
Web: <http://www.meijitechno.co.uk>