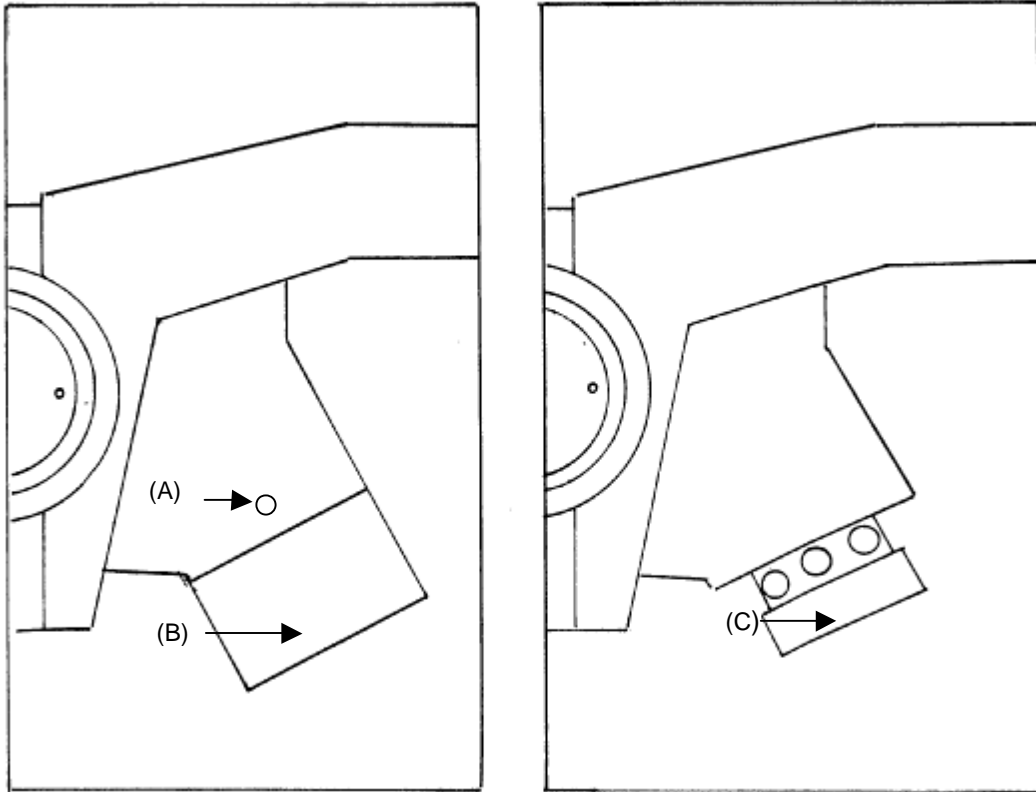


420 SERIES SPECIAL INSTRUCTIONS FOR TOP LIGHT BULB REPLACEMENT



To replace top bulb (National #800-421)

1. With 1.27mm "L" hex wrench loosen socket set screws (A) located on left and right sides of light house, and remove lamp shade (B).
2. Remove light housing (C) by rotating in a counter-clockwise direction.
3. Remove light bulb by depressing and rotating lamp counter-clockwise.
4. Install new light bulb using a clean cloth and gently depressing into socket and turning clockwise.
5. Replace light housing (C) and lamp shade (B).
6. Tighten two socket set screws (A).

